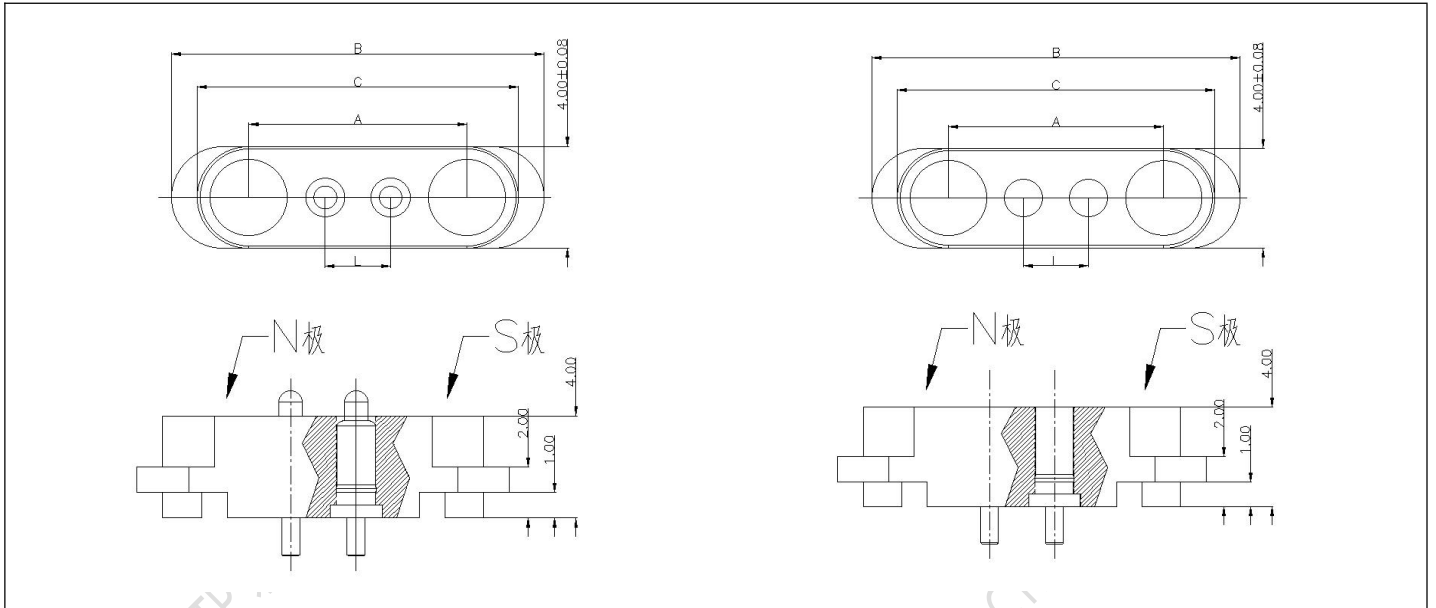


| 序号         | 品名   | 页码                           |
|------------|--|------------------------------|
| <b>1</b>   | <b>Pogo pin</b>  |                              |
| 1.1        | The male and female ends of the magnetic snap spring needle. | 1页,                          |
| 1 . 1 . 2  | Crown spring pin   | 2页                           |
| 1 . 1 . 3  | Pogo pin-Male  |                              |
| 1 . 1 . 4  | Pogo pin-Male-SMT  | 3页, 4页, 5页, 6页, 7页, 8页       |
| 1 . 1 . 1  | Pogo pin-Male-DIP  | 9页, 10页, 11页, 12页, 13页, 14页  |
| 1 . 1 . 1  | Pogo pin-Male-Solder   | 15页                          |
| 1 . 1 . 1  | Pogo pin-Male-Screw  | 16页                          |
| 1.2        | Pogo pin-Female  |                              |
| 1 . 2 . 1  | Pogo pin-Female-SMT  | 17页                          |
| 1 . 2 . 2  | Pogo pin-Female-DIP  | 18页                          |
| <b>2</b>   | <b>Pogo pin connector</b>                                    |                              |
| 2.1        | Pogo pin connector-Male                                      |                              |
| 2 . 1 . 1  | Pogo pin connector-Male-SMT (Pitch:1.27mm)                   | 19页                          |
| 2 . 1 . 2  | Pogo pin connector-Male-DIP (Pitch:1.27mm)                   | 20页                          |
| 2 . 1 . 3  | Pogo pin connector-Male-Bend (Pitch:1.27mm)                  | 21页                          |
| 2 . 1 . 4  | Pogo pin connector-Male-SMT (Pitch:2.00mm)                   | 22页, 23页                     |
| 2 . 1 . 5  | Pogo pin connector-Male-DIP (Pitch:2.00mm)                   | 24页, 25页                     |
| 2 . 1 . 6  | Pogo pin connector-Male-Bend (Pitch:2.00mm)                  | 26页, 27页                     |
| 2 . 1 . 7  | Pogo pin connector-Male-SMT (Pitch:2.54mm)                   | 28页, 29页, 30页, 31页, 32页,33页, |
| 2 . 1 . 8  | Pogo pin connector-Male-DIP (Pitch:2.54mm)                   | 34页, 35页, 36页, 37页, 38页,39页, |
| 2 . 1 . 9  | Pogo pin connector-Male-Bend (Pitch:2.54mm)                  | 40页,41页,                     |
| 22 1 . 10  | Pogo pin connector-Male-Solder (Pitch:2.54mm)                | 42页, 43页,                    |
| 2 . 1 . 11 | Pogo pin connector-Male-SMT (Pitch:3.00mm)                   | 44页, 45页, 46页, 47页,          |
| 2 . 1 . 12 | Pogo pin connector-Male-DIP (Pitch:3.00mm)                   | 48页, 49页, 50页, 51页,          |
| 22 1 . 13  | Pogo pin connector-Male-Bend (Pitch:3.00mm)                  | 52页, 53页,                    |
| 2 . 1 . 14 | Pogo pin connector-Male-Solder (Pitch:3.00mm)                | 54页, 55页,                    |
| 2.2        | Pogo pin connector-Female                                    |                              |
| 2 . 2 . 1  | Pogo pin connector-Female- MT (Pitch:1.27mm)                 | 56页                          |
| 2 . 2 . 2  | Pogo pin connector-Female-DIP (Pitch:1.27mm)                 | 57页                          |
| 2 . 2 . 3  | Pogo pin connector-Female- MT (Pitch:2.00mm)                 | 58页                          |
| 2 . 2 . 4  | Pogo pin connector-Female- (Pitch:2.00mm)                    | 59页                          |
| 2 . 2 . 5  | Pogo pin connector-Female-Bend (Pitch:2.00mm)                | 60页                          |
| 2 . 2 . 6  | Pogo pin connector-Female-SMT (Pitch:2.54mm)                 | 61页                          |
| 2 . 2 . 7  | Pogo pin connector-Female-DIP (Pitch:2.54mm)                 | 62页                          |
| 2 . 2 . 8  | Pogo pin connector-Female-Bend (Pitch:2.54mm)                | 63页                          |
| 2 . 2 . 9  | Pogo pin connector-Female- MT (Pitch:3.00mm)                 | 64页                          |
| 2 . 2 . 10 | Pogo pin connector-Female- (Pitch:3.00mm)                    | 65页                          |
| 2 . 2 . 11 | Pogo pin connector-Female-Bend (Pitch:3.00mm)                | 66页                          |

| 序号       | 品名                            | 页码                            |
|----------|-------------------------------|-------------------------------|
| <b>1</b> | <b>弹簧针</b>                    |                               |
| 1.1      | 磁吸弹簧针-公母端                     | 1页,                           |
| 1.1.1    | 冠簧插针                          | 2页                            |
| 1.1.2    | 弹簧针 - 公端                      |                               |
| 1.1.3    | 弹簧针 - 公端 - SMT                | 3页, 4页, 5页, 6页, 7页, 8页        |
| 1.1.4    | 弹簧针 - 公端 - DIP                | 9页, 10页, 11页, 12页, 13页, 14页   |
| 1.2      | 弹簧针 - 公端 - 焊线                 | 15页                           |
| 1.2.1    | 弹簧针 - 公端 - 螺纹                 | 16页                           |
| 1.2.2    | 弹簧针 - 母端                      |                               |
| 1.2.3    | 弹簧针 - 母端 - SMT                | 17页                           |
| 1.2.4    | 弹簧针 - 母端 - DIP                | 18页                           |
| <b>2</b> | <b>弹簧针连接器</b>                 |                               |
| 2.1      | 弹簧针连接器 - 公端                   |                               |
| 2.1.1    | 弹簧针连接器 - 公端 - SMT (P距:1.27mm) | 19页                           |
| 2.1.2    | 弹簧针连接器 - 公端 - DIP (P距:1.27mm) | 20页                           |
| 2.1.3    | 弹簧针连接器 - 公端 - 弯脚 (P距:1.27mm)  | 21页                           |
| 2.1.4    | 弹簧针连接器 - 公端 - SMT (P距:2.00mm) | 22页, 23页                      |
| 2.1.5    | 弹簧针连接器 - 公端 - DIP (P距:2.00mm) | 24页, 25页                      |
| 2.1.6    | 弹簧针连接器 - 公端 - 弯脚 (P距:2.00mm)  | 26页, 27页                      |
| 2.1.7    | 弹簧针连接器 - 公端 - SMT (P距:2.54mm) | 28页, 29页, 30页, 31页, 32页, 33页, |
| 2.1.8    | 弹簧针连接器 - 公端 - DIP (P距:2.54mm) | 34页, 35页, 36页, 37页, 38页, 39页, |
| 2.1.9    | 弹簧针连接器 - 公端 - 弯脚 (P距:2.54mm)  | 40页, 41页,                     |
| 2.1.10   | 弹簧针连接器 - 公端 - 焊线 (P距:2.54mm)  | 42页, 43页,                     |
| 2.1.11   | 弹簧针连接器 - 公端 - SMT (P距:3.00mm) | 44页, 45页, 46页, 47页,           |
| 2.1.12   | 弹簧针连接器 - 公端 - DIP (P距:3.00mm) | 48页, 49页, 50页, 51页,           |
| 2.1.13   | 弹簧针连接器 - 公端 - 弯脚 (P距:3.00mm)  | 52页, 53页,                     |
| 2.1.14   | 弹簧针连接器 - 公端 - 焊线 (P距:3.00mm)  | 54页, 55页,                     |
| 2.2      | 弹簧针连接器 - 母端                   |                               |
| 2.2.1    | 弹簧针连接器 - 母端 - SMT (P距:1.27mm) | 56页                           |
| 2.2.2    | 弹簧针连接器 - 母端 - DIP (P距:1.27mm) | 57页                           |
| 2.2.3    | 弹簧针连接器 - 母端 - SMT (P距:2.00mm) | 58页                           |
| 2.2.4    | 弹簧针连接器 - 母端 - DIP (P距:2.00mm) | 59页                           |
| 2.2.5    | 弹簧针连接器 - 母端 - 弯脚 (P距:2.00mm)  | 60页                           |
| 2.2.6    | 弹簧针连接器 - 母端 - SMT (P距:2.54mm) | 61页                           |
| 2.2.7    | 弹簧针连接器 - 母端 - DIP (P距:2.54mm) | 62页                           |
| 2.2.8    | 弹簧针连接器 - 母端 - 弯脚 (P距:2.54mm)  | 63页                           |
| 2.2.9    | 弹簧针连接器 - 母端 - SMT (P距:3.00mm) | 64页                           |
| 2.2.10   | 弹簧针连接器 - 母端 - DIP (P距:3.00mm) | 65页                           |
| 2.2.11   | 弹簧针连接器 - 母端 - 弯脚 (P距:3.00mm)  | 66页                           |



| Part NO.           | SPACING<br>-L(mm) | SPACING<br>-A(mm) | SPACING<br>-C(mm) | SPACING<br>-B(mm) | 2-8P | Current<br>rating |
|--------------------|-------------------|-------------------|-------------------|-------------------|------|-------------------|
| YT110-11GG-ANN100F | 2.54              | 8.45              | 12.45             | 14.45             | 2P   | 1A                |
| YT110-21GG-ANN100F | 2.54              | 11.00             | 15.00             | 17.00             | 3P   | 1A                |
| YT210-11GG-ANN100F | 2.54              | 13.50             | 14.50             | 19.50             | 4P   | 1A                |
| YT210-21GG-ANN100F | 2.54              | 16.10             | 20.10             | 22.10             | 5P   | 1A                |
| YT210-31GG-ANN100F | 2.54              | 18.65             | 22.65             | 24.65             | 6P   | 1A                |
| YT210-41GG-ANN100F | 2.54              | 22.20             | 26.20             | 28.20             | 7P   | 1A                |
| YT310-11GG-ANN100F | 2.54              | 24.70             | 28.70             | 30.70             | 8P   | 1A                |

-Materials:  
 .Plunger: BrassC6801 Gold over Nickel  
 .Barrel & Plug: BrassC6801 Gold over Nickel  
 .Spring: SUS304 Gold over Nickel  
 -Dimensions: Millimeters  
 -Tolerances on:  
 .lengths: ±0.1

-Mechanical Specifications:  
 .Durability: 10000~1000,000 cycles  
 -Electrical Specifications:  
 .Voltage rating : **DC12V**  
 .Contact resistance: 50 milli-ohm Max.  
 -Environmental Specifications:  
 -Operating teYTerature range: -40/+105°C

**RoHS**  
 2011/65/EU

**0001**  
**0001-0-15-XX-21-XX-04-0**  
 Press-fit in 0,94 mounting hole

**0002**  
**0002-X-15-XX-X1-XX-10-0**  
 Solder mount in 1,02 min. mounting hole  
 Also available on 16mm wide carrier tape:  
 1,500 parts per 330mm reel  
 Order as: 0552-X-57-XX-X1-XX-10-0

| Basic Part Number | Length L | Depth N |
|-------------------|----------|---------|
| 0552-1            | 3,45     | 3,05    |
| 0552-2            | 4,32     | 3,81    |

**0003**  
**0003-0-15-XX-09-XX-10-0**  
 Solder mount in 1,02 min. mounting hole

**0004**  
**0004-0-15-XX-X1-XX-10-0**  
 Solder mount in 1,02 min. mounting hole

**0005**  
**0005-0-15-XX-21-XX-10-0**  
 Solder mount in 1,02 min. mounting hole

**0006**  
**0006-0-15-XX-21-XX-10-0**  
 Solder mount in 1,02 min. mounting hole

**0007**  
**0007-0-15-XX-21-XX-04-0**  
 Press-fit in 1,02 mounting hole

**0008**  
**0008-X-15-XX-X1-XX-04-0**  
 Solder mount in 0,51 min. mounting hole

| Basic Part Number | Length L |
|-------------------|----------|
| 0461-0            | 10,16    |
| 0461-1            | 6,99     |
| 0461-2            | 4,57     |
| 0461-3            | 3,18     |
| 0461-4            | 1,52     |
| 0461-5            | 11,18    |

**0009**  
**0009-X-15-XX-X1-XX-10-0**  
 Solder mount in 1,02 min. mounting hole  
 Also available on 24mm wide carrier tape:  
 1,200 parts per 330mm reel  
 Order as: 8579-0-57-XX-X1-XX-10-0

| Basic Part Number | Length L |
|-------------------|----------|
| 8579-0            | 5,94     |
| 8579-1            | 7,49     |

**SPECIFICATIONS:**

**Shell Material:** Brass Alloy 360, 1/2 Hard  
**Contact Material:** Beryllium Copper Alloy 172, HT  
**Dimensions:** Millimeters  
**Tolerances On:** Lengths: ± 0,13  
 Diameters: ± 0,051  
 Angles: ± 2°

**ORDER CODE: XXXX - X - 15 - XX - XX - XX - XX - 0**

**BASIC PART #** →

**SPECIFY SHELL FINISH:**

- 01 5,08µm TIN/LEAD OVER NICKEL
- 80 5,08µm TIN OVER NICKEL (RoHS)
- 15 0,25µm GOLD OVER NICKEL (RoHS)

**SPECIFY CONTACT FINISH:**

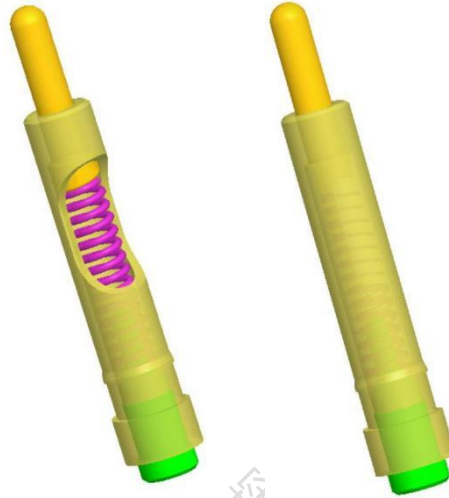
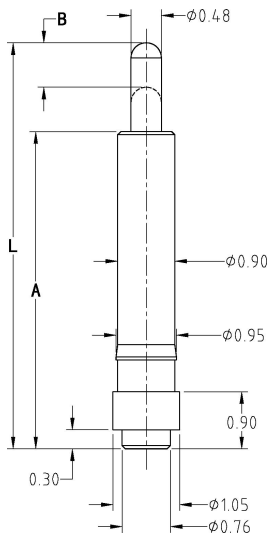
- 02 2,54µm TIN/LEAD OVER NICKEL
- 84 2,54µm TIN OVER NICKEL (RoHS)
- 27 0,76µm GOLD OVER NICKEL (RoHS)

**SELECT CONTACT:**  
 #09, #11 or #21 CONTACT (DATA ON PAGES 250 & 251)  
 (For alternate contact choices, see group A on page 248)

-Materials:  
 .Plunger: BrassC6801 Gold over Nickel  
 .Barrel & Plug: BrassC6801 Gold over Nickel  
 .Spring: SUS304 Gold over Nickel  
 -Dimensions: Millimeters  
 -Tolerances on:  
 .lengths: ±0.1  
 .Diameters: ±0.05

-Mechanical Specifications:  
 .Durability: 10000~1000,000 cycles  
 -Electrical Specifications:  
 .Voltage rating : **DC12V**  
 .Contact resistance: 50 milli-ohm Max.  
 -Environmental Specifications:  
 -Operating teYTerature range: -40/+105°C (discontinuous)

**RoHS**  
 2011/65/EU



**YT118-11GG-F**

Gold Plating Code-**GG**

**G-Barrel**

1-0.125um

2-0.25um

4-0.5um

5-0.75um

**G-Plunger**

1-0.125um

2-0.25um

4-0.5um

5-0.75um

| Part NO.     | Initial height -<br>L(mm) | Barrel length<br>-A(mm) | Working stroke<br>-B(mm) | Spring force<br>(g) | Max. stroke<br>(mm) | Current<br>rating |
|--------------|---------------------------|-------------------------|--------------------------|---------------------|---------------------|-------------------|
| YT118-11GG-F | 6.40                      | 5.00                    | 0.70                     | 50g                 | 1.20                | 1A                |

Note: this product is only suitable for signal transmission

1

**-Materials:**

- .Plunger: BrassC6801 Gold over Nickel
- .Barrel & Plug: BrassC6801 Gold over Nickel
- .Spring: SUS304 Gold over Nickel
- Dimensions: Millimeters
- Tolerances on:
- .lengths:  $\pm 0.1$
- .Diameters:  $\pm 0.05$

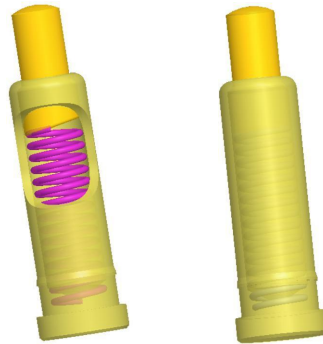
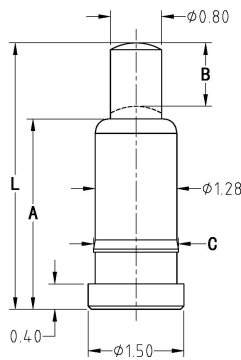
**-Mechanical Specifications:**

- .Durability: 10000~1000,000 cycles
- Electrical Specifications:
- .Voltage rating : **DC12V**
- .Contact resistance: 50 milli-ohm Max.
- Environmental Specifications:
- Operating teYTerature range: -40/+105°C (discontinuous)

**RoHS**  
2011/65/EU

## Pogo Pin Connector-Single Pin

### -SMT Pogo Pin



**YTXXX-SSGG-F**

Gold Plating Code-**GG**

**G-Barrel**

1-0.125um  
2-0.25um  
4-0.5um  
5-0.75um

**G-Plunger**

1-0.125um  
2-0.25um  
4-0.5um  
5-0.75um

| Part NO.     | Initial height<br>-L(mm) | Barrel length<br>-A(mm) | agnail<br>-C(mm) | Working stroke<br>-B(mm) | Spring force<br>(g) | Max. stroke<br>(mm) | Current<br>rating |
|--------------|--------------------------|-------------------------|------------------|--------------------------|---------------------|---------------------|-------------------|
| YT801-11GG-F | 1.30                     | 1.10                    | NO               | 0.20                     | 20g                 | 0.20                | 1A                |
| YT802-11GG-F | 1.50                     | 1.30                    | NO               | 0.20                     | 20g                 | 0.30                | 1A                |
| YT802-21GG-F | 1.70                     | 1.30                    | NO               | 0.20                     | 20g                 | 0.30                | 1A                |
| YT803-11GG-F | 1.90                     | 1.50                    | NO               | 0.40                     | 70g                 | 0.40                | 1A                |
| YT803-21GG-F | 2.10                     | 1.50                    | NO               | 0.40                     | 70g                 | 0.40                | 1A                |
| YT803-31GG-F | 2.30                     | 1.50                    | NO               | 0.40                     | 70g                 | 0.40                | 1A                |
| YT804-11GG-F | 2.50                     | 1.70                    | NO               | 0.60                     | 70g                 | 0.70                | 1A                |
| YT804-21GG-F | 2.70                     | 1.70                    | NO               | 0.60                     | 70g                 | 0.70                | 1A                |
| YT805-11GG-F | 2.90                     | 2.00                    | 1.33             | 0.60                     | 80g                 | 0.70                | 1A                |
| YT806-11GG-F | 3.10                     | 2.30                    | 1.33             | 0.60                     | 80g                 | 0.80                | 1A                |
| YT806-21GG-F | 3.30                     | 2.30                    | 1.33             | 0.60                     | 80g                 | 0.80                | 1A                |
| YT807-11GG-F | 3.50                     | 2.60                    | 1.33             | 0.80                     | 80g                 | 1.00                | 1A                |
| YT807-21GG-F | 3.70                     | 2.60                    | 1.33             | 0.80                     | 80g                 | 1.00                | 1A                |
| YT807-31GG-F | 4.00                     | 2.60                    | 1.33             | 0.80                     | 80g                 | 1.00                | 1A                |
| YT808-11GG-F | 4.20                     | 3.00                    | 1.33             | 1.00                     | 80g                 | 1.40                | 1A                |
| YT808-21GG-F | 4.40                     | 3.00                    | 1.33             | 1.00                     | 80g                 | 1.40                | 1A                |
| YT809-11GG-F | 4.50                     | 3.30                    | 1.33             | 1.00                     | 70g                 | 1.40                | 1A                |
| YT809-21GG-F | 5.00                     | 3.30                    | 1.33             | 1.00                     | 70g                 | 1.40                | 1A                |
| YT810-11GG-F | 5.50                     | 4.30                    | 1.33             | 1.00                     | 70g                 | 1.40                | 3A                |
| YT810-21GG-F | 6.00                     | 4.30                    | 1.33             | 1.00                     | 70g                 | 1.40                | 3A                |
| YT811-11GG-F | 6.50                     | 5.30                    | 1.33             | 1.00                     | 70g                 | 1.40                | 3A                |
| YT811-21GG-F | 7.00                     | 5.30                    | 1.33             | 1.00                     | 70g                 | 1.40                | 3A                |
| YT811-31GG-F | 7.50                     | 5.30                    | 1.33             | 1.00                     | 70g                 | 1.40                | 3A                |
| YT811-41GG-F | 8.00                     | 5.30                    | 1.33             | 1.00                     | 70g                 | 1.40                | 3A                |

Note: When the current rating is 1A, This product is only suitable for signal transmission

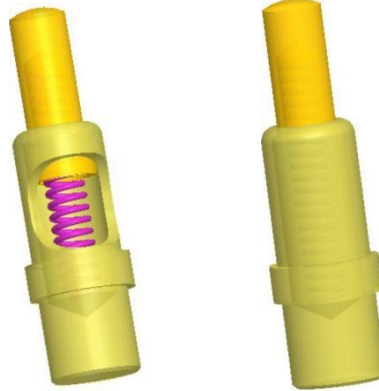
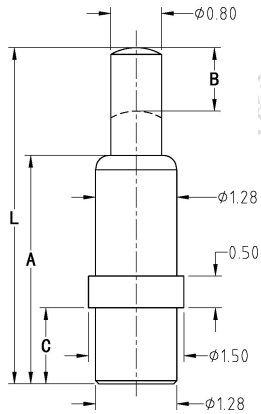
**-Materials:**

.Plunger: BrassC6801 Gold over Nickel  
.Barrel & Plug: BrassC6801 Gold over Nickel  
.Spring: SUS304 Gold over Nickel  
-Dimensions: Millimeters  
-Tolerances on:  
Lengths: ±0.1  
Diameters: ±0.05

**-Mechanical Specifications:**

.Durability: 10000~1000,000 cycles  
-Electrical Specifications:  
.Voltage rating : **DC12V**  
.Contact resistance: 50 milli-ohm Max.  
-Environmental Specifications:  
-Operating teYTerature range: -40/+105°C (discontinuous)

**RoHS**  
2011/65/EU



**YTXXX-SSGG-F**

Gold Plating Code-**GG**

**G-Barrel**

1-0.125um  
2-0.25um  
4-0.5um  
5-0.75um

**G-Plunger**

1-0.125um  
2-0.25um  
4-0.5um  
5-0.75um

| Part NO.     | Initial height<br>-L(mm) | Barrel length<br>-A(mm) | dimension<br>-C(mm) | Working stroke<br>-B(mm) | Spring force<br>(g) | Max. stroke<br>(mm) | Current<br>rating |
|--------------|--------------------------|-------------------------|---------------------|--------------------------|---------------------|---------------------|-------------------|
| YT870-11GG-F | 3.00                     | 2.20                    | 0.70                | 0.60                     | 30g                 | 0.80                | 1A                |
| YT870-21GG-F | 3.20                     | 2.20                    | 0.70                | 0.60                     | 30g                 | 0.80                | 1A                |
| YT871-11GG-F | 3.40                     | 2.50                    | 1.00                | 0.80                     | 30g                 | 1.00                | 1A                |
| YT871-21GG-F | 3.70                     | 2.50                    | 1.00                | 0.80                     | 30g                 | 1.00                | 1A                |
| YT872-11GG-F | 4.00                     | 2.80                    | 1.30                | 1.00                     | 30g                 | 1.40                | 1A                |
| YT872-21GG-F | 4.20                     | 2.80                    | 1.30                | 1.00                     | 30g                 | 1.40                | 1A                |
| YT873-11GG-F | 4.70                     | 3.00                    | 1.00                | 1.40                     | 30g                 | 1.70                | 3A                |
| YT873-21GG-F | 4.90                     | 3.00                    | 1.00                | 1.40                     | 30g                 | 1.70                | 3A                |
| YT874-11GG-F | 4.30                     | 3.30                    | 0.90                | 0.80                     | 30g                 | 1.00                | 3A                |
| YT874-21GG-F | 4.50                     | 3.30                    | 0.90                | 0.80                     | 30g                 | 1.00                | 3A                |
| YT875-11GG-F | 4.80                     | 3.60                    | 1.20                | 1.00                     | 30g                 | 1.20                | 3A                |
| YT875-21GG-F | 5.00                     | 3.60                    | 1.20                | 1.00                     | 30g                 | 1.20                | 3A                |
| YT875-31GG-F | 5.30                     | 3.60                    | 1.20                | 1.00                     | 30g                 | 1.20                | 3A                |
| YT876-11GG-F | 6.00                     | 4.00                    | 1.60                | 1.20                     | 30g                 | 1.50                | 3A                |
| YT876-21GG-F | 6.20                     | 4.00                    | 1.60                | 1.20                     | 30g                 | 1.50                | 3A                |
| YT877-11GG-F | 6.30                     | 4.30                    | 1.50                | 1.70                     | 30g                 | 1.90                | 3A                |
| YT877-21GG-F | 6.50                     | 4.30                    | 1.50                | 1.70                     | 30g                 | 1.90                | 3A                |
| YT877-31GG-F | 7.00                     | 4.30                    | 1.50                | 1.70                     | 30g                 | 1.90                | 3A                |

Note: When the current rating is 1A, This product is only suitable for signal transmission

**RoHS**

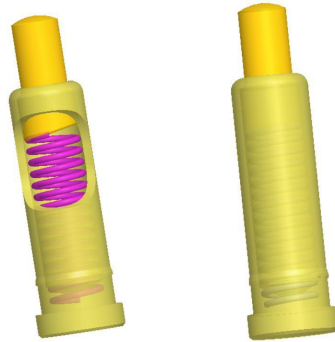
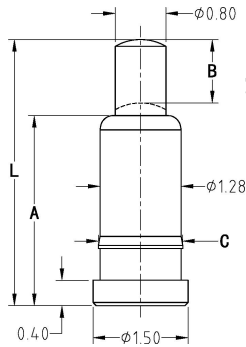
2011/65/EU

**-Materials:**

.Plunger: BrassC6801 Gold over Nickel  
.Barrel & Plug: BrassC6801 Gold over Nickel  
.Spring: SUS304 Gold over Nickel  
-Dimensions: Millimeters  
-Tolerances on:  
.lengths:  $\pm 0.1$   
.Diameters:  $\pm 0.05$

**-Mechanical Specifications:**

.Durability: 10000~1000,000 cycles  
-Electrical Specifications:  
.Voltage rating : **DC12V**  
.Contact resistance: 50 milli-ohm Max.  
-Environmental Specifications:  
-Operating teYterature range: -40/+105 $^{\circ}$ C (discontinuous)



**YTXXX-SSGG-F**

Gold Plating Code-**GG**

**G-Barrel**

1-0.125um  
2-0.25um  
4-0.5um  
5-0.75um

**G-Plunger**

1-0.125um  
2-0.25um  
4-0.5um  
5-0.75um

| Part NO.     | Initial height -<br>L(mm) | Barrel length<br>-A(mm) | agnail<br>-C(mm) | Working stroke<br>-B(mm) | Spring force<br>(g) | Max. stroke<br>(mm) | Current<br>rating |
|--------------|---------------------------|-------------------------|------------------|--------------------------|---------------------|---------------------|-------------------|
| YT880-11GG-F | 2.50                      | 1.70                    | NO               | 0.60                     | 30g                 | 0.70                | 1A                |
| YT880-21GG-F | 2.70                      | 1.70                    | NO               | 0.60                     | 30g                 | 0.70                | 1A                |
| YT881-11GG-F | 2.90                      | 2.00                    | 1.33             | 0.60                     | 30g                 | 0.80                | 1A                |
| YT882-11GG-F | 3.10                      | 2.30                    | 1.33             | 0.60                     | 30g                 | 0.80                | 1A                |
| YT882-21GG-F | 3.30                      | 2.30                    | 1.33             | 0.60                     | 30g                 | 0.80                | 1A                |
| YT883-11GG-F | 3.50                      | 2.60                    | 1.33             | 0.80                     | 30g                 | 1.00                | 1A                |
| YT883-21GG-F | 3.70                      | 2.60                    | 1.33             | 0.80                     | 30g                 | 1.00                | 1A                |
| YT883-31GG-F | 4.00                      | 2.60                    | 1.33             | 0.80                     | 30g                 | 1.00                | 1A                |
| YT884-11GG-F | 4.20                      | 3.00                    | 1.33             | 1.00                     | 30g                 | 1.40                | 1A                |
| YT884-21GG-F | 4.40                      | 3.00                    | 1.33             | 1.00                     | 30g                 | 1.40                | 1A                |
| YT885-11GG-F | 4.70                      | 3.30                    | 1.33             | 1.20                     | 30g                 | 1.40                | 1A                |
| YT885-21GG-F | 5.00                      | 3.30                    | 1.33             | 1.20                     | 30g                 | 1.40                | 1A                |
| YT886-11GG-F | 5.30                      | 3.60                    | 1.33             | 1.50                     | 30g                 | 1.70                | 1A                |
| YT886-21GG-F | 5.50                      | 3.60                    | 1.33             | 1.50                     | 30g                 | 1.70                | 1A                |

Note: This product is only suitable for signal transmission

**-Materials:**

.Plunger: BrassC6801 Gold over Nickel  
.Barrel & Plug: BrassC6801 Gold over Nickel  
.Spring: SUS304 Gold over Nickel  
-Dimensions: Millimeters  
-Tolerances on:  
.lengths:  $\pm 0.1$   
.Diameters:  $\pm 0.05$

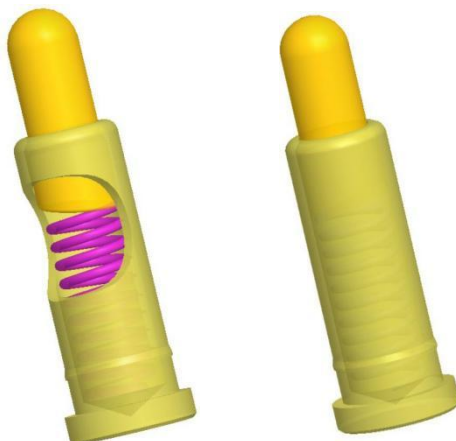
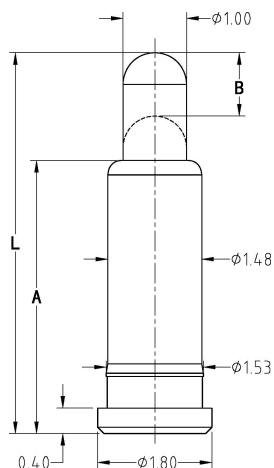
**-Mechanical Specifications:**

.Durability: 10000~1000,000 cycles  
-Electrical Specifications:  
.Voltage rating : **DC12V**  
.Contact resistance: 50 milli-ohm Max.  
-Environmental Specifications:  
-Operating teYterature range: -40/+105°C (discontinuous).

**RoHS**  
2011/65/EU

## Pogo Pin Connector-Single Pin

### -SMT Pogo Pin



**YTXXX-SSGG-F**

Gold Plating Code-**GG**

**G-Barrel**

1-0.125um  
2-0.25um  
4-0.5um  
5-0.75um

**G-Plunger**

1-0.125um  
2-0.25um  
4-0.5um  
5-0.75um

| Part NO.     | Initial height -<br>L(mm) | Barrel length -<br>A(mm) | Working stroke<br>-B(mm) | Spring force<br>(g) | Max. stroke<br>(mm) | Current rating |
|--------------|---------------------------|--------------------------|--------------------------|---------------------|---------------------|----------------|
| YT100-11GG-F | 4.50                      | 3.30                     | 1.00                     | 90g                 | 1.20                | 1A             |
| YT100-21GG-F | 5.00                      | 3.30                     | 1.00                     | 90g                 | 1.20                | 1A             |
| YT200-11GG-F | 5.50                      | 4.30                     | 1.00                     | 70g                 | 1.20                | 3A             |
| YT200-21GG-F | 6.00                      | 4.30                     | 1.00                     | 70g                 | 1.40                | 3A             |
| YT200-31GG-F | 6.50                      | 4.30                     | 1.00                     | 70g                 | 1.40                | 3A             |
| YT200-41GG-F | 7.00                      | 4.30                     | 1.00                     | 70g                 | 1.40                | 3A             |
| YT300-11GG-F | 6.50                      | 5.30                     | 1.00                     | 70g                 | 1.40                | 3A             |
| YT300-21GG-F | 7.00                      | 5.30                     | 1.00                     | 70g                 | 1.40                | 3A             |
| YT300-31GG-F | 7.50                      | 5.30                     | 1.00                     | 70g                 | 1.40                | 3A             |
| YT300-41GG-F | 8.00                      | 5.30                     | 1.00                     | 70g                 | 1.40                | 3A             |
| YT300-81GG-F | 9.90                      | 5.30                     | 1.00                     | 70g                 | 1.40                | 3A             |
| YT300-91GG-F | 10.40                     | 5.30                     | 1.00                     | 70g                 | 1.40                | 3A             |
| YT305-11GG-F | 6.50                      | 5.30                     | 1.00                     | 70g                 | 1.40                | 5A大电流          |
| YT305-21GG-F | 7.00                      | 5.30                     | 1.00                     | 70g                 | 1.40                | 5A大电流          |
| YT305-31GG-F | 7.50                      | 5.30                     | 1.00                     | 70g                 | 1.40                | 5A大电流          |
| YT305-41GG-F | 8.00                      | 5.30                     | 1.00                     | 70g                 | 1.40                | 5A大电流          |
| YT501-11GG-F | 9.00                      | 7.30                     | 1.00                     | 70g                 | 1.40                | 3A             |
| YT501-21GG-F | 10.00                     | 7.30                     | 1.00                     | 70g                 | 1.40                | 3A             |
| YT501-31GG-F | 11.00                     | 7.30                     | 1.00                     | 70g                 | 1.40                | 3A             |
| YT502-11GG-F | 12.00                     | 10.30                    | 1.00                     | 70g                 | 1.40                | 3A             |
| YT502-21GG-F | 13.00                     | 10.30                    | 1.00                     | 70g                 | 1.40                | 3A             |
| YT502-31GG-F | 14.00                     | 10.30                    | 1.00                     | 70g                 | 1.40                | 3A             |
| YT503-11GG-F | 15.00                     | 12.30                    | 1.00                     | 70g                 | 1.40                | 3A             |

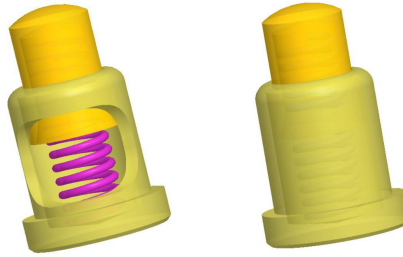
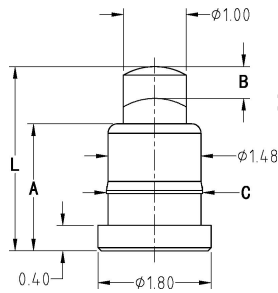
Note: When the current rating is 1A, This product is only suitable for signal transmission

**-Materials:**

.Plunger: BrassC6801 Gold over Nickel  
.Barrel & Plug: BrassC6801 Gold over Nickel  
.Spring: SUS304 Gold over Nickel  
-Dimensions: Millimeters  
-Tolerances on:  
.lengths:  $\pm 0.1$   
.Diameters:  $\pm 0.05$

**-Mechanical Specifications:**

.Durability: 10000~1000,000 cycles  
-Electrical Specifications:  
.Voltage rating : **DC12V**  
.Contact resistance: 50 milli-ohm Max.  
-Environmental Specifications:  
-Operating teYterature range: -40/+105°C (discontinuous)



**YTXXX-SSGG-F**

Gold Plating Code-**GG**

**G-Barrel**

1-0.125um  
2-0.25um  
4-0.5um  
5-0.75um

**G-Plunger**

1-0.125um  
2-0.25um  
4-0.5um  
5-0.75um

| Part NO.     | Initial height<br>-L(mm) | Barrel length<br>-A(mm) | agnail<br>-C(mm) | Working stroke<br>-B(mm) | Spring force<br>(g) | Max. stroke<br>(mm) | Current<br>rating |
|--------------|--------------------------|-------------------------|------------------|--------------------------|---------------------|---------------------|-------------------|
| YT601-11GG-F | 1.30                     | 1.10                    | NO               | 0.20                     | 30g                 | 0.20                | 1A                |
| YT602-11GG-F | 1.50                     | 1.30                    | NO               | 0.20                     | 30g                 | 0.20                | 1A                |
| YT602-21GG-F | 1.70                     | 1.30                    | NO               | 0.20                     | 30g                 | 0.20                | 1A                |
| YT603-11GG-F | 1.90                     | 1.50                    | NO               | 0.40                     | 70g                 | 0.40                | 1A                |
| YT603-21GG-F | 2.10                     | 1.50                    | NO               | 0.40                     | 70g                 | 0.40                | 1A                |
| YT603-31GG-F | 2.30                     | 1.50                    | NO               | 0.40                     | 70g                 | 0.40                | 1A                |
| YT604-11GG-F | 2.50                     | 1.70                    | 1.53             | 0.60                     | 100g                | 0.70                | 1A                |
| YT604-21GG-F | 2.70                     | 1.70                    | 1.53             | 0.60                     | 100g                | 0.70                | 1A                |
| YT605-11GG-F | 2.90                     | 2.00                    | 1.53             | 0.80                     | 100g                | 0.90                | 1A                |
| YT606-11GG-F | 3.10                     | 2.30                    | 1.53             | 0.80                     | 100g                | 0.90                | 1A                |
| YT606-21GG-F | 3.30                     | 2.30                    | 1.53             | 0.80                     | 100g                | 0.90                | 1A                |
| YT607-11GG-F | 3.50                     | 2.60                    | 1.53             | 0.80                     | 100g                | 1.00                | 1A                |
| YT607-21GG-F | 3.70                     | 2.60                    | 1.53             | 0.80                     | 100g                | 1.00                | 1A                |
| YT607-31GG-F | 4.00                     | 2.60                    | 1.53             | 0.80                     | 100g                | 1.00                | 1A                |
| YT608-11GG-F | 4.20                     | 3.00                    | 1.53             | 1.00                     | 120g                | 1.20                | 1A                |
| YT608-21GG-F | 4.40                     | 3.00                    | 1.53             | 1.00                     | 120g                | 1.20                | 1A                |

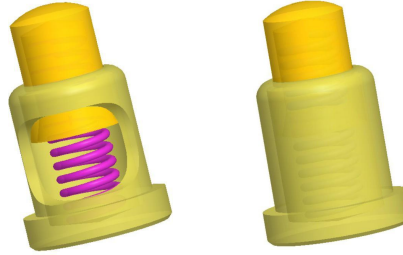
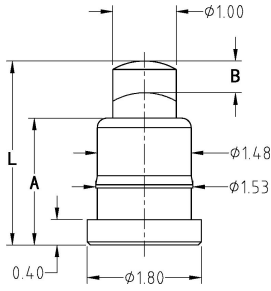
Note: This product is only suitable for signal transmission

**-Materials:**

.Plunger: BrassC6801 Gold over Nickel  
.Barrel & Plug: BrassC6801 Gold over Nickel  
.Spring: SUS304 Gold over Nickel  
-Dimensions: Millimeters  
-Tolerances on:  
.lengths: ±0.1  
.Diameters: ±0.05

**-Mechanical Specifications:**

.Durability: 10000~1000,000 cycles  
-Electrical Specifications:  
.Voltage rating : **DC12V**  
.Contact resistance: 50 milli-ohm Max.  
-Environmental Specifications:  
-Operating teYTerature range: -40/+105°C (discontinuous)



**YTXXX-SSGG-F**

Gold Plating Code-**GG**

**G-Barrel**

1-0.125um  
2-0.25um  
4-0.5um  
5-0.75um

**G-Plunger**

1-0.125um  
2-0.25um  
4-0.5um  
5-0.75um

| Part NO.     | Initial height -<br><b>L</b> (mm) | Barrel length -<br><b>A</b> (mm) | Working stroke<br><b>-B</b> (mm) | Spring force<br>(g) | Max. stroke<br>(mm) | Current<br>rating |
|--------------|-----------------------------------|----------------------------------|----------------------------------|---------------------|---------------------|-------------------|
| YT680-11GG-F | 2.50                              | 1.70                             | 0.60                             | 30g                 | 0.70                | 1A                |
| YT680-21GG-F | 2.70                              | 1.70                             | 0.60                             | 30g                 | 0.70                | 1A                |
| YT681-11GG-F | 2.90                              | 2.00                             | 0.60                             | 30g                 | 0.80                | 1A                |
| YT682-11GG-F | 3.10                              | 2.30                             | 0.60                             | 30g                 | 0.80                | 1A                |
| YT682-21GG-F | 3.30                              | 2.30                             | 0.60                             | 30g                 | 0.80                | 1A                |
| YT683-11GG-F | 3.50                              | 2.60                             | 0.80                             | 30g                 | 1.00                | 1A                |
| YT683-21GG-F | 3.70                              | 2.60                             | 0.80                             | 30g                 | 1.00                | 1A                |
| YT683-31GG-F | 4.00                              | 2.60                             | 0.80                             | 30g                 | 1.00                | 1A                |
| YT684-11GG-F | 4.20                              | 3.00                             | 1.00                             | 30g                 | 1.40                | 1A                |
| YT684-21GG-F | 4.40                              | 3.00                             | 1.00                             | 30g                 | 1.40                | 1A                |
| YT685-11GG-F | 4.50                              | 3.30                             | 1.00                             | 30g                 | 1.50                | 1A                |
| YT685-21GG-F | 5.00                              | 3.30                             | 1.00                             | 30g                 | 1.50                | 1A                |
| YT686-11GG-F | 5.30                              | 3.60                             | 1.30                             | 30g                 | 1.80                | 1A                |
| YT686-21GG-F | 5.50                              | 3.60                             | 1.30                             | 30g                 | 1.80                | 1A                |

Note: This product is only suitable for signal transmission

-Materials:  
 .Plunger: BrassC6801 Gold over Nickel  
 .Barrel & Plug: BrassC6801 Gold over Nickel  
 .Spring: SUS304 Gold over Nickel  
 -Dimensions: Millimeters  
 -Tolerances on:  
 .lengths: ±0.1  
 .Diameters: ±0.05

-Mechanical Specifications:  
 .Durability: 10000~1000,000 cycles  
 -Electrical Specifications:  
 .Voltage rating : **DC12V**  
 .Contact resistance: 50 milli-ohm Max.  
 -Environmental Specifications:  
 -Operating teYTerature range: -40/+105°C (discontinuous)

# Pogo Pin Connector-Single Pin

-DIP Pogo Pin

|                              |                  |
|------------------------------|------------------|
| <b>YT118-11GG-F</b>          |                  |
| Gold Plating Code- <b>GG</b> |                  |
| <b>G-Barrel</b>              | <b>G-Plunger</b> |
| 1-0.125um                    | 1-0.125um        |
| 2-0.25um                     | 2-0.25um         |
| 4-0.5um                      | 4-0.5um          |
| 5-0.75um                     | 5-0.75um         |

| Part NO.     | Initial height -<br><b>L</b> (mm) | Barrel length<br><b>-A</b> (mm) | Working stroke<br><b>-B</b> (mm) | Spring force<br>(g) | Max. stroke<br>(mm) | Current<br>rating |
|--------------|-----------------------------------|---------------------------------|----------------------------------|---------------------|---------------------|-------------------|
| YT118-11GG-F | 6.40                              | 5.00                            | 0.70                             | 50g                 | 1.20                | 1A                |

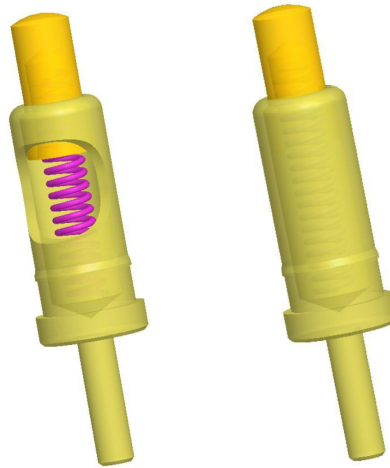
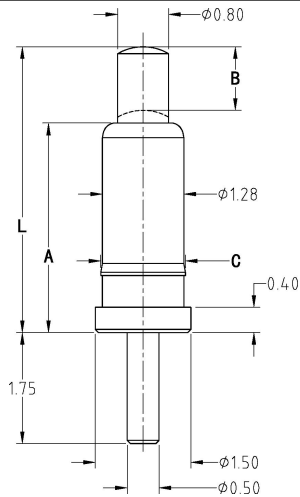
Note: this product is only suitable for signal transmission

**-Materials:**  
 .Plunger: BrassC6801 Gold over Nickel  
 .Barrel & Plug: BrassC6801 Gold over Nickel  
 .Spring: SUS304 Gold over Nickel  
**-Dimensions: Millimeters**  
**-Tolerances on:**  
 .lengths: ±0.1  
 .Diameters: ±0.05

**-Mechanical Specifications:**  
 .Durability: 10000~1000,000 cycles  
**-Electrical Specifications:**  
 .Voltage rating : **DC12V**  
 .Contact resistance: 50 milli-ohm Max.  
**-Environmental Specifications:**  
 -Operating teYTerature range: -40/+105℃ (discontinuous)

## Pogo Pin Connector-Single Pin

-DIP Pogo Pin



| YTXXX-SSGG-F         |                  |
|----------------------|------------------|
| Gold Plating Code-GG |                  |
| <b>G-Barrel</b>      | <b>G-Plunger</b> |
| 1-0.125um            | 1-0.125um        |
| 2-0.25um             | 2-0.25um         |
| 4-0.5um              | 4-0.5um          |
| 5-0.75um             | 5-0.75um         |

| Part NO.     | Initial height<br>-L(mm) | Barrel length<br>-A(mm) | agnail<br>-C(mm) | Working stroke<br>-B(mm) | Spring force<br>(g) | Max. stroke<br>(mm) | Current<br>rating |
|--------------|--------------------------|-------------------------|------------------|--------------------------|---------------------|---------------------|-------------------|
| YT822-11GG-F | 1.30                     | 1.10                    | NO               | 0.20                     | 20g                 | 0.20                | 1A                |
| YT812-11GG-F | 1.50                     | 1.30                    | NO               | 0.20                     | 20g                 | 0.30                | 1A                |
| YT812-21GG-F | 1.70                     | 1.30                    | NO               | 0.20                     | 20g                 | 0.30                | 1A                |
| YT813-11GG-F | 1.90                     | 1.50                    | NO               | 0.40                     | 70g                 | 0.40                | 1A                |
| YT813-21GG-F | 2.10                     | 1.50                    | NO               | 0.40                     | 70g                 | 0.40                | 1A                |
| YT813-31GG-F | 2.30                     | 1.50                    | NO               | 0.40                     | 70g                 | 0.40                | 1A                |
| YT814-11GG-F | 2.50                     | 1.70                    | NO               | 0.60                     | 70g                 | 0.70                | 1A                |
| YT814-21GG-F | 2.70                     | 1.70                    | NO               | 0.60                     | 70g                 | 0.70                | 1A                |
| YT815-11GG-F | 2.90                     | 2.00                    | 1.33             | 0.60                     | 80g                 | 0.70                | 1A                |
| YT816-11GG-F | 3.10                     | 2.30                    | 1.33             | 0.60                     | 80g                 | 0.80                | 1A                |
| YT816-21GG-F | 3.30                     | 2.30                    | 1.33             | 0.60                     | 80g                 | 0.80                | 1A                |
| YT817-11GG-F | 3.50                     | 2.60                    | 1.33             | 0.80                     | 80g                 | 1.00                | 1A                |
| YT817-21GG-F | 3.70                     | 2.60                    | 1.33             | 0.80                     | 80g                 | 1.00                | 1A                |
| YT817-31GG-F | 4.00                     | 2.60                    | 1.33             | 0.80                     | 80g                 | 1.00                | 1A                |
| YT818-11GG-F | 4.20                     | 3.00                    | 1.33             | 1.00                     | 80g                 | 1.40                | 1A                |
| YT818-21GG-F | 4.40                     | 3.00                    | 1.33             | 1.00                     | 80g                 | 1.40                | 1A                |
| YT819-11GG-F | 4.50                     | 3.30                    | 1.33             | 1.00                     | 70g                 | 1.40                | 1A                |
| YT819-21GG-F | 5.00                     | 3.30                    | 1.33             | 1.00                     | 70g                 | 1.40                | 1A                |
| YT820-11GG-F | 5.50                     | 4.30                    | 1.33             | 1.00                     | 70g                 | 1.40                | 3A                |
| YT820-21GG-F | 6.00                     | 4.30                    | 1.33             | 1.00                     | 70g                 | 1.40                | 3A                |
| YT821-11GG-F | 6.50                     | 5.30                    | 1.33             | 1.00                     | 70g                 | 1.40                | 3A                |
| YT821-21GG-F | 7.00                     | 5.30                    | 1.33             | 1.00                     | 70g                 | 1.40                | 3A                |
| YT821-31GG-F | 7.50                     | 5.30                    | 1.33             | 1.00                     | 70g                 | 1.40                | 3A                |
| YT821-41GG-F | 8.00                     | 5.30                    | 1.33             | 1.00                     | 70g                 | 1.40                | 3A                |

Note: When the current rating is 1A, This product is only suitable for signal transmission

**-Materials:**

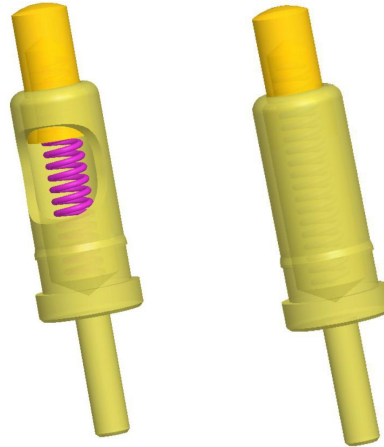
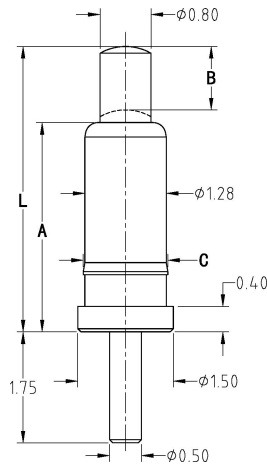
- .Plunger: BrassC6801 Gold over Nickel
- .Barrel & Plug: BrassC6801 Gold over Nickel
- .Spring: SUS304 Gold over Nickel
- Dimensions: Millimeters
- Tolerances on:  
.lengths: ±0.1  
.Diameters: ±0.05

**-Mechanical Specifications:**

- .Durability: 10000~1000,000 cycles
- Electrical Specifications:  
.Voltage rating : **DC12V**  
.Contact resistance: 50 milli-ohm Max.
- Environmental Specifications:  
-Operating teYTerature range: -40/+105°C (discontinuous)

# Pogo Pin Connector-Single Pin

## -DIP Pogo Pin

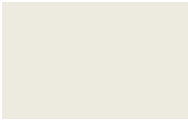


| YTXXX-SSGG-F  |  |
|---|--|
| Gold Plating Code- <b>GG</b>                                    |  |
| <b>G-Barrel</b><br>1-0.125um<br>2-0.25um<br>4-0.5um<br>5-0.75um | <b>G-Plunger</b><br>1-0.125um<br>2-0.25um<br>4-0.5um<br>5-0.75um |

| Part NO.     | Initial height -<br><b>L</b> (mm) | Barrel length<br><b>-A</b> (mm) | agnail<br><b>-C</b> (mm) | Working stroke<br><b>-B</b> (mm) | Spring force<br>(g) | Max. stroke<br>(mm) | Current<br>rating |
|--------------|-----------------------------------|---------------------------------|--------------------------|----------------------------------|---------------------|---------------------|-------------------|
| YT890-11GG-F | 2.50                              | 1.70                            | NO                       | 0.60                             | 30g                 | 0.70                | 1A                |
| YT890-21GG-F | 2.70                              | 1.70                            | NO                       | 0.60                             | 30g                 | 0.70                | 1A                |
| YT891-11GG-F | 2.90                              | 2.00                            | 1.33                     | 0.60                             | 30g                 | 0.80                | 1A                |
| YT892-11GG-F | 3.10                              | 2.30                            | 1.33                     | 0.60                             | 30g                 | 0.80                | 1A                |
| YT892-21GG-F | 3.30                              | 2.30                            | 1.33                     | 0.60                             | 30g                 | 0.80                | 1A                |
| YT893-11GG-F | 3.50                              | 2.60                            | 1.33                     | 0.80                             | 30g                 | 1.00                | 1A                |
| YT893-21GG-F | 3.70                              | 2.60                            | 1.33                     | 0.80                             | 30g                 | 1.00                | 1A                |
| YT893-31GG-F | 4.00                              | 2.60                            | 1.33                     | 0.80                             | 30g                 | 1.00                | 1A                |
| YT894-11GG-F | 4.20                              | 3.00                            | 1.33                     | 1.00                             | 30g                 | 1.40                | 1A                |
| YT894-21GG-F | 4.40                              | 3.00                            | 1.33                     | 1.00                             | 30g                 | 1.40                | 1A                |
| YT895-11GG-F | 4.70                              | 3.30                            | 1.33                     | 1.20                             | 30g                 | 1.40                | 1A                |
| YT895-21GG-F | 5.00                              | 3.30                            | 1.33                     | 1.20                             | 30g                 | 1.40                | 1A                |
| YT896-11GG-F | 5.30                              | 3.60                            | 1.33                     | 1.50                             | 30g                 | 1.70                | 1A                |
| YT896-21GG-F | 5.50                              | 3.60                            | 1.33                     | 1.50                             | 30g                 | 1.70                | 1A                |

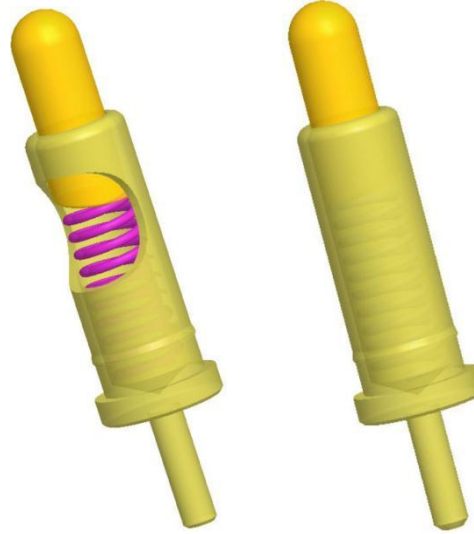
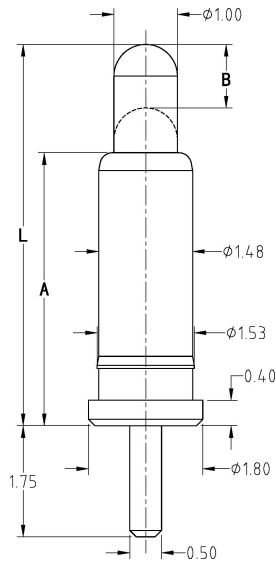
Note: This product is only suitable for signal transmission

|   |  |
|---|--|
| <p>Materials:<br/>Plunger: BrassC6801 Gold over Nickel<br/>Barrel &amp; Plug: BrassC6801 Gold over Nickel<br/>Spring: SUS304 Gold over Nickel<br/>Dimensions: Millimeters<br/>Tolerances on:<br/>lengths: ±0.1<br/>Diameters: ±0.05</p> | <p>Mechanical Specifications:<br/>Durability: 10000~1000,000 cycles<br/>Electrical Specifications:<br/>Voltage rating : <b>DC12V</b><br/>Contact resistance: 50 milli-ohm Max.<br/>Environmental Specifications:<br/>Operating teYTerature range: -40/+105°C (discontinuous)</p> |
|---|--|



## Pogo Pin Connector-Single Pin

### -DIP Pogo Pin

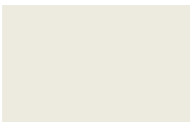


| YTXXX-SSGG-F                 |                  |
|------------------------------|------------------|
| Gold Plating Code- <b>GG</b> |                  |
| <b>G-Barrel</b>              | <b>G-Plunger</b> |
| 1-0.125um                    | 1-0.125um        |
| 2-0.25um                     | 2-0.25um         |
| 4-0.5um                      | 4-0.5um          |
| 5-0.75um                     | 5-0.75um         |

| Part NO.     | Initial height -<br>L(mm) | Barrel length -<br>A(mm) | Working stroke<br>-B(mm) | Spring force<br>(g) | Max. stroke<br>(mm) | Current rating |
|--------------|---------------------------|--------------------------|--------------------------|---------------------|---------------------|----------------|
| YT110-11GG-F | 4.50                      | 3.30                     | 1.00                     | 90g                 | 1.40                | 1A             |
| YT110-21GG-F | 5.00                      | 3.30                     | 1.00                     | 90g                 | 1.40                | 1A             |
| YT210-11GG-F | 5.50                      | 4.30                     | 1.00                     | 70g                 | 1.40                | 3A             |
| YT210-21GG-F | 6.00                      | 4.30                     | 1.00                     | 70g                 | 1.40                | 3A             |
| YT210-31GG-F | 6.50                      | 4.30                     | 1.00                     | 70g                 | 1.40                | 3A             |
| YT210-41GG-F | 7.00                      | 4.30                     | 1.00                     | 70g                 | 1.40                | 3A             |
| YT310-11GG-F | 6.50                      | 5.30                     | 1.00                     | 70g                 | 1.40                | 3A             |
| YT310-21GG-F | 7.00                      | 5.30                     | 1.00                     | 70g                 | 1.40                | 3A             |
| YT310-31GG-F | 7.50                      | 5.30                     | 1.00                     | 70g                 | 1.40                | 3A             |
| YT310-41GG-F | 8.00                      | 5.30                     | 1.00                     | 70g                 | 1.40                | 3A             |
| YT315-11GG-F | 6.50                      | 5.30                     | 1.00                     | 70g                 | 1.40                | 5A大电流          |
| YT315-21GG-F | 7.00                      | 5.30                     | 1.00                     | 70g                 | 1.40                | 5A大电流          |
| YT315-31GG-F | 7.50                      | 5.30                     | 1.00                     | 70g                 | 1.40                | 5A大电流          |
| YT315-41GG-F | 8.00                      | 5.30                     | 1.00                     | 70g                 | 1.40                | 5A大电流          |
| YT511-11GG-F | 9.00                      | 7.30                     | 1.00                     | 70g                 | 1.40                | 3A             |
| YT511-21GG-F | 10.00                     | 7.30                     | 1.00                     | 70g                 | 1.40                | 3A             |
| YT511-31GG-F | 11.00                     | 7.30                     | 1.00                     | 70g                 | 1.40                | 3A             |
| YT512-11GG-F | 12.00                     | 10.30                    | 1.00                     | 70g                 | 1.40                | 3A             |
| YT512-21GG-F | 13.00                     | 10.30                    | 1.00                     | 70g                 | 1.40                | 3A             |
| YT512-31GG-F | 14.00                     | 10.30                    | 1.00                     | 70g                 | 1.40                | 3A             |
| YT513-11GG-F | 15.00                     | 12.30                    | 1.00                     | 70g                 | 1.40                | 3A             |

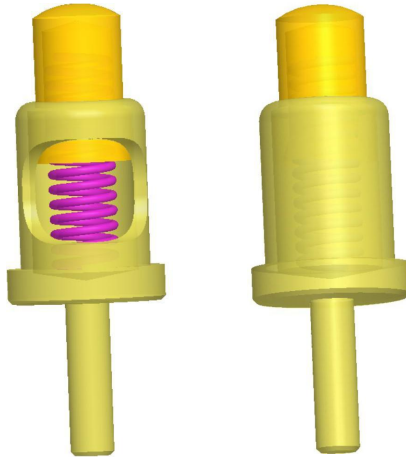
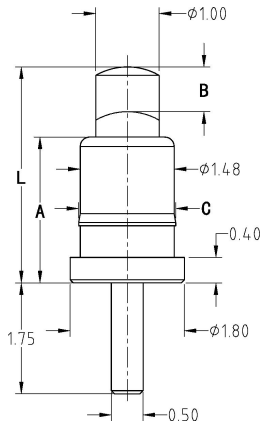
Note: When the current rating is 1A, This product is only suitable for signal transmission

|  |  |
|--|--|
| <b>Materials:</b><br>Plunger: BrassC6801 Gold over Nickel<br>Barrel & Plug: BrassC6801 Gold over Nickel<br>Spring: SUS304 Gold over Nickel<br><b>Dimensions:</b> Millimeters<br><b>Tolerances on:</b><br>lengths: ±0.1<br>Diameters: ±0.05 | <b>Mechanical Specifications:</b><br>Durability: 10000~1000,000 cycles<br><b>Electrical Specifications:</b><br>Voltage rating : <b>DC12V</b><br>Contact resistance: 50 milli-ohm Max.<br><b>Environmental Specifications:</b><br>Operating teYTerature range: -40/+105°C (discontinuous) |
|--|--|



# Pogo Pin Connector-Single Pin

## -DIP Pogo Pin

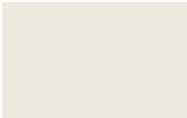


| YTXXX-SSGG-F  |  |
|---|--|
| Gold Plating Code-GG  |  |
| <b>G-Barrel</b><br>1-0.125um<br>2-0.25um<br>4-0.5um<br>5-0.75um | <b>G-Plunger</b><br>1-0.125um<br>2-0.25um<br>4-0.5um<br>5-0.75um |

| Part NO.     | Initial height<br>-L(mm) | Barrel length<br>-A(mm) | agnail<br>-C(mm) | Working stroke<br>-B(mm) | Spring force<br>(g) | Max. stroke<br>(mm) | Current<br>rating |
|--------------|--------------------------|-------------------------|------------------|--------------------------|---------------------|---------------------|-------------------|
| YT611-11GG-F | 1.30                     | 1.10                    | NO               | 0.20                     | 30g                 | 0.20                | 1A                |
| YT612-11GG-F | 1.50                     | 1.30                    | NO               | 0.20                     | 30g                 | 0.20                | 1A                |
| YT612-21GG-F | 1.70                     | 1.30                    | NO               | 0.20                     | 30g                 | 0.20                | 1A                |
| YT613-11GG-F | 1.90                     | 1.50                    | NO               | 0.40                     | 70g                 | 0.40                | 1A                |
| YT613-21GG-F | 2.10                     | 1.50                    | NO               | 0.40                     | 70g                 | 0.40                | 1A                |
| YT613-31GG-F | 2.30                     | 1.50                    | NO               | 0.40                     | 70g                 | 0.40                | 1A                |
| YT614-11GG-F | 2.50                     | 1.70                    | 1.53             | 0.60                     | 100g                | 0.70                | 1A                |
| YT614-21GG-F | 2.70                     | 1.70                    | 1.53             | 0.60                     | 100g                | 0.70                | 1A                |
| YT615-11GG-F | 2.90                     | 2.00                    | 1.53             | 0.80                     | 100g                | 0.90                | 1A                |
| YT616-11GG-F | 3.10                     | 2.30                    | 1.53             | 0.80                     | 100g                | 0.90                | 1A                |
| YT616-21GG-F | 3.30                     | 2.30                    | 1.53             | 0.80                     | 100g                | 0.90                | 1A                |
| YT617-11GG-F | 3.50                     | 2.60                    | 1.53             | 0.80                     | 100g                | 1.00                | 1A                |
| YT617-21GG-F | 3.70                     | 2.60                    | 1.53             | 0.80                     | 100g                | 1.00                | 1A                |
| YT617-31GG-F | 4.00                     | 2.60                    | 1.53             | 0.80                     | 100g                | 1.00                | 1A                |
| YT618-11GG-F | 4.20                     | 3.00                    | 1.53             | 1.00                     | 120g                | 1.20                | 1A                |
| YT618-21GG-F | 4.40                     | 3.00                    | 1.53             | 1.00                     | 120g                | 1.20                | 1A                |

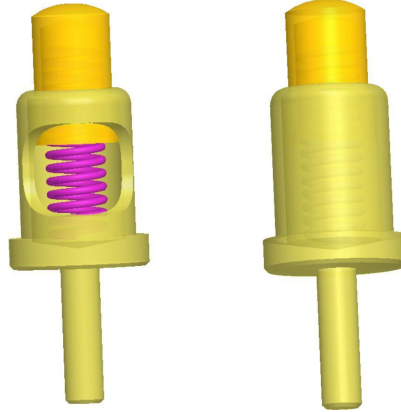
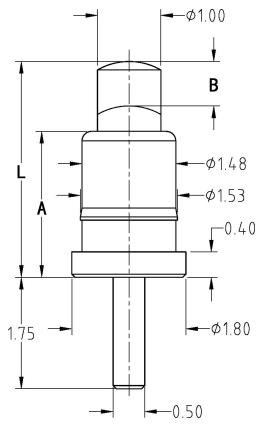
Note: This product is only suitable for signal transmission

|   |  |
|---|--|
| <p>Materials:<br/>Plunger: BrassC6801 Gold over Nickel<br/>Barrel &amp; Plug: BrassC6801 Gold over Nickel<br/>Spring: SUS304 Gold over Nickel<br/>Dimensions: Millimeters<br/>Tolerances on:<br/>lengths: <math>\pm 0.1</math><br/>Diameters: <math>\pm 0.05</math></p> | <p>Mechanical Specifications:<br/>Durability: 10000~1000,000 cycles<br/>Electrical Specifications:<br/>Voltage rating : <b>DC12V</b><br/>Contact resistance: 50 milli-ohm Max.<br/>Environmental Specifications:<br/>Operating teYTerature range: -40/+105°C (discontinuous)</p> |
|---|--|



# Pogo Pin Connector-Single Pin

## -DIP Pogo Pin



| YTXXX-SSGG-F  |  |
|---|--|
| Gold Plating Code-GG  |  |
| <b>G-Barrel</b><br>1-0.125um<br>2-0.25um<br>4-0.5um<br>5-0.75um | <b>G-Plunger</b><br>1-0.125um<br>2-0.25um<br>4-0.5um<br>5-0.75um |

| Part NO.     | Initial height - L(mm) | Barrel length - A(mm) | Working stroke -B(mm) | Spring force (g) | Max. stroke (mm) | Current rating |
|--------------|------------------------|-----------------------|-----------------------|------------------|------------------|----------------|
| YT690-11GG-F | 2.50                   | 1.70                  | 0.60                  | 30g              | 0.70             | 1A             |
| YT690-21GG-F | 2.70                   | 1.70                  | 0.60                  | 30g              | 0.70             | 1A             |
| YT691-11GG-F | 2.90                   | 2.00                  | 0.60                  | 30g              | 0.80             | 1A             |
| YT692-11GG-F | 3.10                   | 2.30                  | 0.60                  | 30g              | 0.80             | 1A             |
| YT692-21GG-F | 3.30                   | 2.30                  | 0.60                  | 30g              | 0.80             | 1A             |
| YT693-11GG-F | 3.50                   | 2.60                  | 0.80                  | 30g              | 1.00             | 1A             |
| YT693-21GG-F | 3.70                   | 2.60                  | 0.80                  | 30g              | 1.00             | 1A             |
| YT693-31GG-F | 4.00                   | 2.60                  | 0.80                  | 30g              | 1.00             | 1A             |
| YT694-11GG-F | 4.20                   | 3.00                  | 1.00                  | 30g              | 1.40             | 1A             |
| YT694-21GG-F | 4.40                   | 3.00                  | 1.00                  | 30g              | 1.40             | 1A             |
| YT695-11GG-F | 4.50                   | 3.30                  | 1.00                  | 30g              | 1.50             | 1A             |
| YT695-21GG-F | 5.00                   | 3.30                  | 1.00                  | 30g              | 1.50             | 1A             |
| YT696-11GG-F | 5.30                   | 3.60                  | 1.30                  | 30g              | 1.80             | 1A             |
| YT696-21GG-F | 5.50                   | 3.60                  | 1.30                  | 30g              | 1.80             | 1A             |

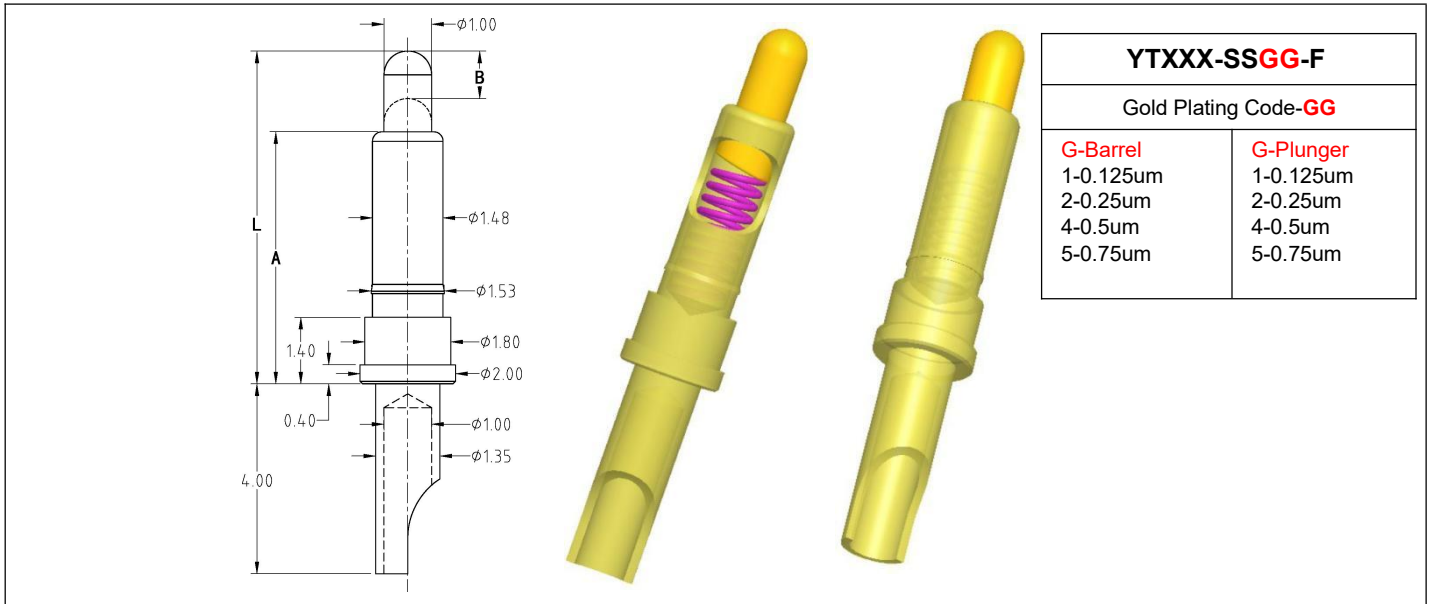
Note: This product is only suitable for signal transmission

Materials:  
 Plunger: BrassC6801 Gold over Nickel  
 Barrel & Plug: BrassC6801 Gold over Nickel  
 Spring: SUS304 Gold over Nickel  
 Dimensions: Millimeters  
 Tolerances on:  
 lengths: ±0.1  
 Diameters: ±0.05

Mechanical Specifications:  
 Durability: 10000~1000,000 cycles  
 Electrical Specifications:  
 Voltage rating : DC12V  
 Contact resistance: 50 milli-ohm Max.  
 Environmental Specifications:  
 Operating teYTerature range: -40/+105°C (discontinuous)

# Pogo Pin Connector-Single Pin

## -Solder Pogo Pin



| YTXXX-SSGG-F         |                  |
|----------------------|------------------|
| Gold Plating Code-GG |                  |
| <b>G-Barrel</b>      | <b>G-Plunger</b> |
| 1-0.125um            | 1-0.125um        |
| 2-0.25um             | 2-0.25um         |
| 4-0.5um              | 4-0.5um          |
| 5-0.75um             | 5-0.75um         |

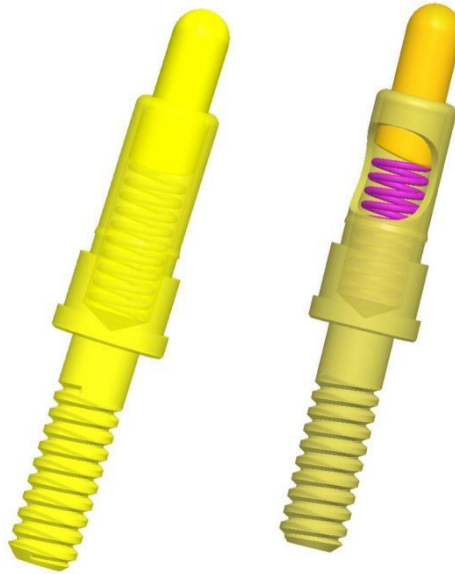
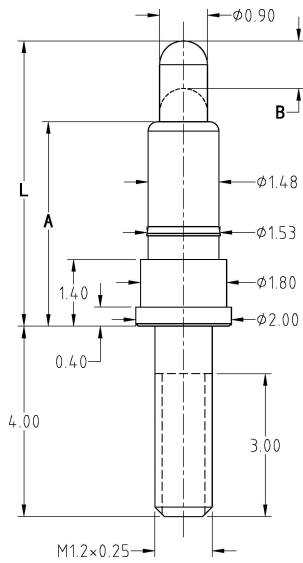
| Part NO.     | Initial height - L(mm) | Barrel length - A(mm) | Working stroke - B(mm) | Spring force (g) | Max. stroke (mm) | Current rating |
|--------------|------------------------|-----------------------|------------------------|------------------|------------------|----------------|
| YT230-11GG-F | 5.50                   | 4.30                  | 1.00                   | 70g              | 1.40             | 3A             |
| YT230-21GG-F | 6.00                   | 4.30                  | 1.00                   | 70g              | 1.40             | 3A             |
| YT330-11GG-F | 6.50                   | 5.30                  | 1.00                   | 70g              | 1.40             | 3A             |
| YT330-21GG-F | 7.00                   | 5.30                  | 1.00                   | 70g              | 1.40             | 3A             |
| YT330-31GG-F | 7.50                   | 5.30                  | 1.00                   | 70g              | 1.40             | 3A             |
| YT330-41GG-F | 8.00                   | 5.30                  | 1.00                   | 70g              | 1.40             | 3A             |
| YT335-11GG-F | 6.50                   | 5.30                  | 1.00                   | 70g              | 1.40             | 5A大电流          |
| YT335-21GG-F | 7.00                   | 5.30                  | 1.00                   | 70g              | 1.40             | 5A大电流          |
| YT335-31GG-F | 7.50                   | 5.30                  | 1.00                   | 70g              | 1.40             | 5A大电流          |
| YT335-41GG-F | 8.00                   | 5.30                  | 1.00                   | 70g              | 1.40             | 5A大电流          |

Materials:  
 Plunger: BrassC6801 Gold over Nickel  
 Barrel & Plug: BrassC6801 Gold over Nickel  
 Spring: SUS304 Gold over Nickel  
 Dimensions: Millimeters  
 Tolerances on:  
 lengths: ±0.1  
 Diameters: ±0.05

Mechanical Specifications:  
 Durability: 10000~1000,000 cycles  
 Electrical Specifications:  
 Voltage rating : DC12V  
 Contact resistance: 50 milli-ohm Max.  
 Environmental Specifications:  
 Operating teYTerature range: -40/+105°C (discontinuous)

# Pogo Pin Connector-Single Pin

## -Screw Pogo Pin

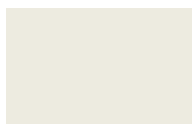


| YTXXX-SSGG-F         |                  |
|----------------------|------------------|
| Gold Plating Code-GG |                  |
| <b>G-Barrel</b>      | <b>G-Plunger</b> |
| 1-0.125um            | 1-0.125um        |
| 2-0.25um             | 2-0.25um         |
| 4-0.5um              | 4-0.5um          |
| 5-0.75um             | 5-0.75um         |

| Part NO.     | Initial height - L(mm) | Barrel length - A(mm) | Working stroke - B(mm) | Spring force (g) | Max. stroke (mm) | Current rating |
|--------------|------------------------|-----------------------|------------------------|------------------|------------------|----------------|
| YT240-11GG-F | 5.50                   | 4.30                  | 1.00                   | 70g              | 1.40             | 3A             |
| YT240-21GG-F | 6.00                   | 4.30                  | 1.00                   | 70g              | 1.40             | 3A             |
| YT340-11GG-F | 6.50                   | 5.30                  | 1.00                   | 70g              | 1.40             | 3A             |
| YT340-21GG-F | 7.00                   | 5.30                  | 1.00                   | 70g              | 1.40             | 3A             |
| YT340-31GG-F | 7.50                   | 5.30                  | 1.00                   | 70g              | 1.40             | 3A             |
| YT340-41GG-F | 8.00                   | 5.30                  | 1.00                   | 70g              | 1.40             | 3A             |
| YT345-11GG-F | 6.50                   | 5.30                  | 1.00                   | 70g              | 1.40             | 5A大电流          |
| YT345-21GG-F | 7.00                   | 5.30                  | 1.00                   | 70g              | 1.40             | 5A大电流          |
| YT345-31GG-F | 7.50                   | 5.30                  | 1.00                   | 70g              | 1.40             | 5A大电流          |
| YT345-41GG-F | 8.00                   | 5.30                  | 1.00                   | 70g              | 1.40             | 5A大电流          |

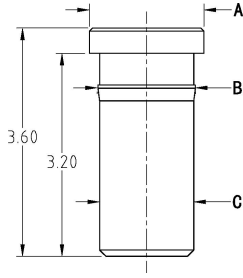
Materials:  
 Plunger: BrassC6801 Gold over Nickel  
 Barrel & Plug: BrassC6801 Gold over Nickel  
 Spring: SUS304 Gold over Nickel  
 Dimensions: Millimeters  
 Tolerances on:  
 lengths: ±0.1  
 Diameters: ±0.05

Mechanical Specifications:  
 Durability: 10000~1000,000 cycles  
 Electrical Specifications:  
 Voltage rating : DC12V  
 Contact resistance: 50 milli-ohm Max.  
 Environmental Specifications:  
 Operating teYTerature range: -40/+105°C (discontinuous)



# Solid Pin

## -SMT Solid Pin



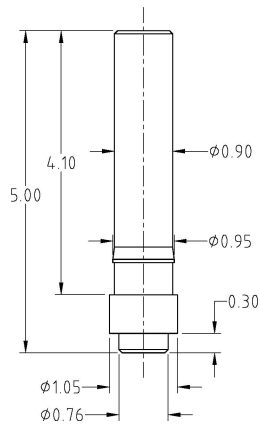
YT XXX - SS **GG** - F

Gold Plating Code-**GG**

- GG**
- 10-0.125um
  - 20-0.25um
  - 30-0.375um
  - 40-0.50um
  - 50-0.75um
  - 60-1.00um
  - 70-1.20um
  - 80-1.50um
  - .....

| Part NO.      | dimension<br>-A(mm) | dimension<br>-B(mm) | dimension<br>-C(mm) | Current rating |
|---------------|---------------------|---------------------|---------------------|----------------|
| YT480-11GG-F  | 1.05                | 0.95                | 0.90                | 1A             |
| YT450-11GG-F  | 1.50                | 1.33                | 1.27                | 3A             |
| YT400--11GG-F | 1.80                | 1.54                | 1.48                | 3A             |

Note: When the current rating is 1A, This product is only suitable for signal transmission



YT470-11**GG**-F

Gold Plating Code-**GG**

- GG**
- 10-0.125um
  - 20-0.25um
  - 30-0.375um
  - 40-0.50um
  - 50-0.75um
  - 60-1.00um
  - 70-1.20um
  - 80-1.50um
  - .....

Note: **Current rating 1A**

Note: This product is only suitable for signal transmission

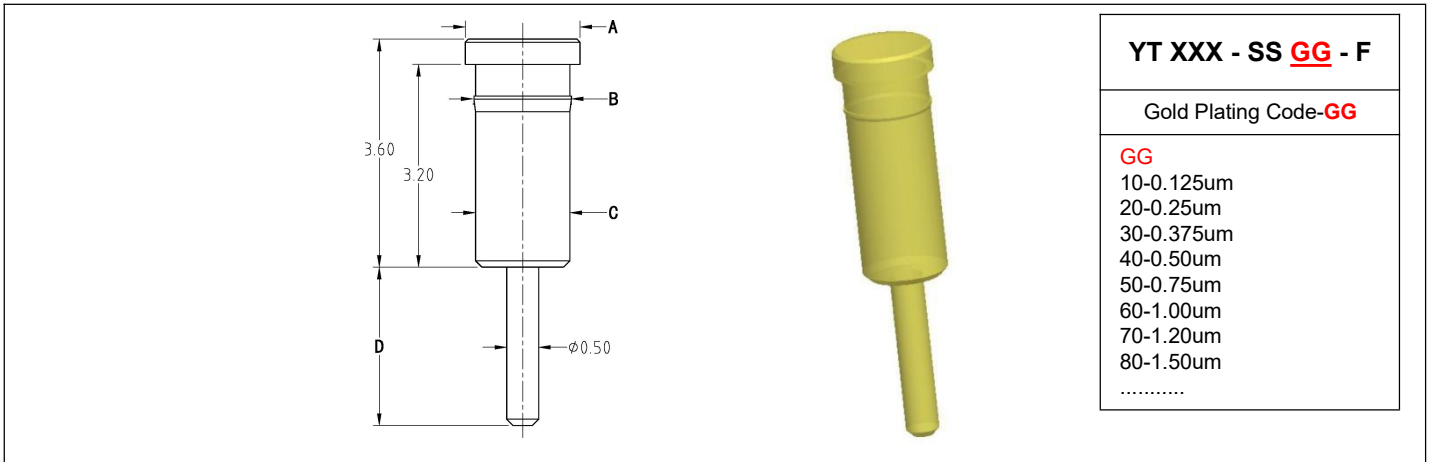
-Materials:  
 .Turning: BrassC6801 Gold over Nickel  
 -Dimensions: Millimeters  
 -Tolerances on:  
 .lengths:  $\pm 0.1$   
 .Diameters:  $\pm 0.05$

-Mechanical Specifications:  
 .Durability: 10000~1000,000 cycles  
 -Electrical Specifications:  
 .Voltage rating : **DC12V**  
 .Contact resistance: 50 milli-ohm Max.  
 -Environmental Specifications:  
 -Operating teYTerature range: -40/+105°C (discontinuous)

**RoHS**  
 2011/65/EU

# Solid Pin

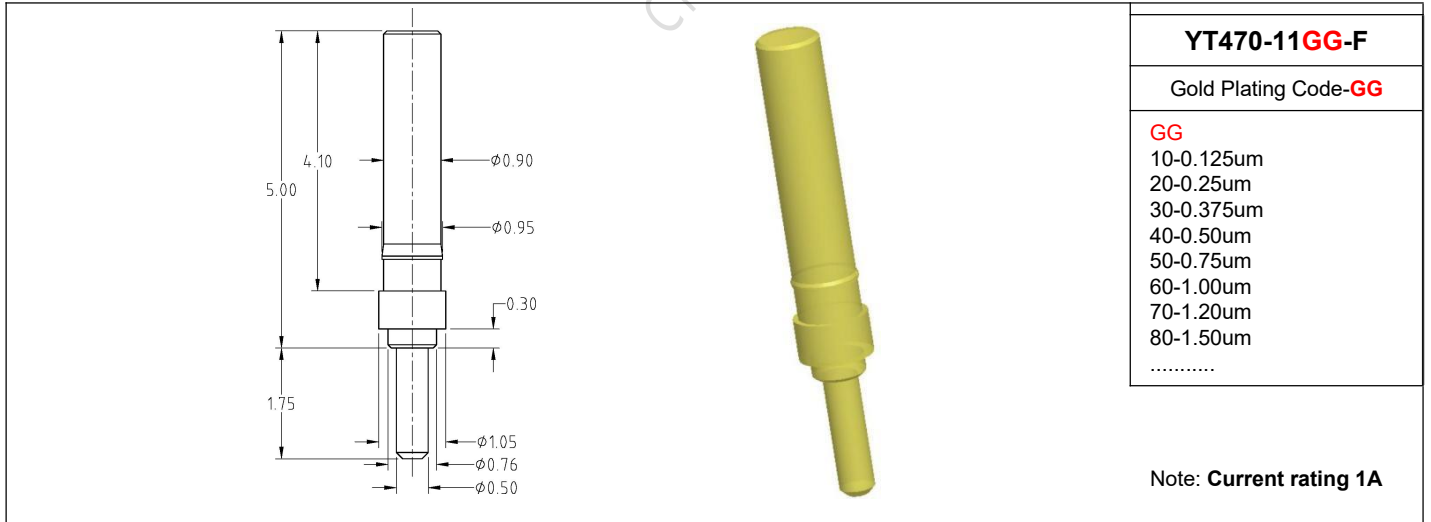
## -DIP Solid Pin



|  |
|--|
| <b>YT XXX - SS GG - F</b>  |
| Gold Plating Code- <b>GG</b>   |
| <b>GG</b><br>10-0.125um<br>20-0.25um<br>30-0.375um<br>40-0.50um<br>50-0.75um<br>60-1.00um<br>70-1.20um<br>80-1.50um<br>..... |

| Part NO.     | dimension<br>-A(mm) | dimension<br>-B(mm) | dimension<br>-C(mm) | dimension<br>-D(mm) | Current rating |
|--------------|---------------------|---------------------|---------------------|---------------------|----------------|
| YT480-11GG-F | 1.05                | 0.95                | 0.90                | 1.75                | 1A             |
| YT460-11GG-F | 1.50                | 1.33                | 1.27                | 2.50                | 3A             |
| YT430-11GG-F | 1.80                | 1.54                | 1.48                | 2.50                | 3A             |

Note: When the current rating is 1A, This product is only suitable for signal transmission



|  |
|--|
| <b>YT470-11GG-F</b>  |
| Gold Plating Code- <b>GG</b>   |
| <b>GG</b><br>10-0.125um<br>20-0.25um<br>30-0.375um<br>40-0.50um<br>50-0.75um<br>60-1.00um<br>70-1.20um<br>80-1.50um<br>..... |

Note: **Current rating 1A**

Note: This product is only suitable for signal transmission

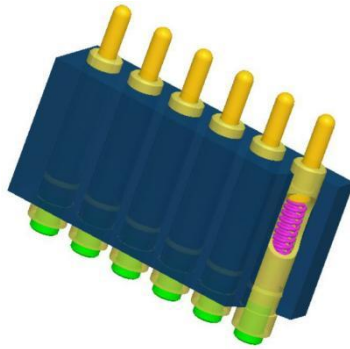
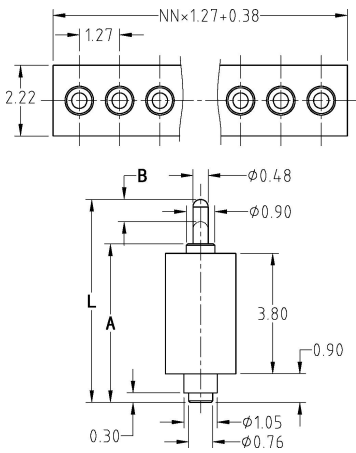
|  |   |
|--|---|
| <p>-Materials:<br/>.Turning: BrassC6801 Gold over Nickel<br/>-Dimensions: Millimeters<br/>-Tolerances on:<br/>.lengths: ±0.1<br/>.Diameters: ±0.05</p> | <p>-Mechanical Specifications:<br/>.Durability: 10000~1000,000 cycles<br/>-Electrical Specifications:<br/>.Voltage rating : <b>DC12V</b><br/>.Contact resistance: 50 milli-ohm Max.<br/>-Environmental Specifications:<br/>-Operating teYTerature range: -40/+105°C (discontinuous)</p> |
|--|---|



# Pogo Pin Connector-Multi-pins

-1.27Pitch Single&Double Row.

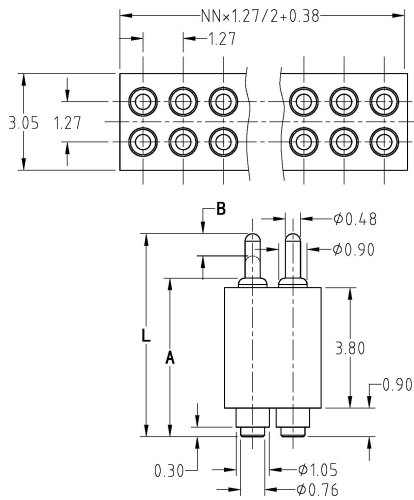
-SMT Pogo Pin Connector



| YT118 - 11 <b>GG</b> - <b>T</b> <b>NN</b> 100F |  |   |
|--|--|---|
| Housing<br><b>-X</b>                           | Gold Plating Code- <b>GG</b>                                     |   |
| <b>T</b> -Single H3.80<br>Pitch 1.27           | <b>G</b> -Barrel<br>1-0.125um<br>2-0.25um<br>4-0.5um<br>5-0.75um | <b>G</b> -Plunger<br>1-0.125um<br>2-0.25um<br>4-0.5um<br>5-0.75um |
| <b>NN</b> Specify number of contacts: 02-30    |  |   |

| Part NO.                       | Initial height<br><b>-L</b> (mm) | Barrel length<br><b>-A</b> (mm) | Working stroke<br><b>-B</b> (mm) | Spring force<br>(g) | Max. stroke<br>(mm) | Current<br>rating |
|--------------------------------|----------------------------------|---------------------------------|----------------------------------|---------------------|---------------------|-------------------|
| YT118 -11 GG - <b>T</b> NN100F | 6.40                             | 5.00                            | 0.70                             | 50g                 | 1.20                | 1A                |

Note: this product is only suitable for signal transmission



| YT118 - 11 <b>GG</b> - <b>R</b> <b>NN</b> 100F |  |   |
|--|--|---|
| Housing<br><b>-X</b>                           | Gold Plating Code- <b>GG</b>                                     |   |
| <b>R</b> -Double H3.80<br>Pitch 1.27           | <b>G</b> -Barrel<br>1-0.125um<br>2-0.25um<br>4-0.5um<br>5-0.75um | <b>G</b> -Plunger<br>1-0.125um<br>2-0.25um<br>4-0.5um<br>5-0.75um |
| <b>NN</b> Specify number of contacts: 04-24    |  |   |

| Part NO.                       | Initial height<br><b>-L</b> (mm) | Barrel length<br><b>-A</b> (mm) | Working stroke<br><b>-B</b> (mm) | Spring force<br>(g) | Max. stroke<br>(mm) | Current<br>rating |
|--------------------------------|----------------------------------|---------------------------------|----------------------------------|---------------------|---------------------|-------------------|
| YT118 -11 GG - <b>R</b> NN100F | 6.40                             | 5.00                            | 0.70                             | 50g                 | 1.20                | 1A                |

Note: this product is only suitable for signal transmission

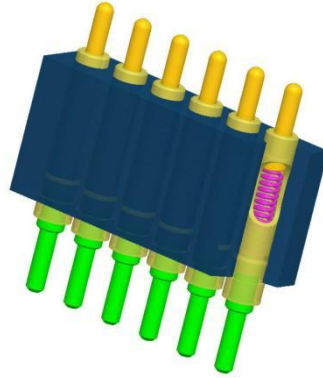
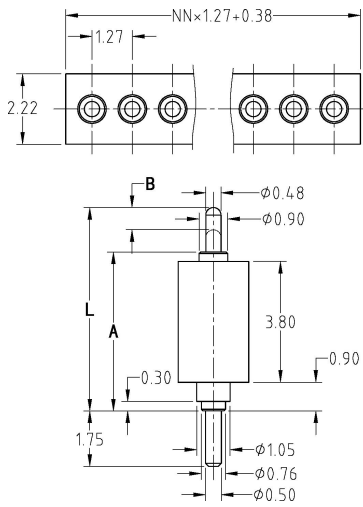
**-Materials:**  
 .Plunger: BrassC6801 Gold over Nickel  
 .Barrel & Plug: BrassC6801 Gold over Nickel  
 .Spring: SUS304 Gold over Nickel  
 .Housing :Black HTN UL94 V-0  
**-Dimensions: Millimeters**  
**-Tolerances on:**  
 .lengths: ±0.1  
 .Diameters: ±0.05

**-Mechanical Specifications:**  
 .Durability: 10000~1000,000 cycles  
**-Electrical Specifications:**  
 .Voltage rating : DC12V  
 .Contact resistance: 50 milli-ohm Max.  
**-Environmental Specifications:**  
 -Operating teYTerature range: -40/+105℃ (discontinuous)

# Pogo Pin Connector-Multi-pins

-1.27Pitch Single&Double Row.

-DIP Pogo Pin Connector

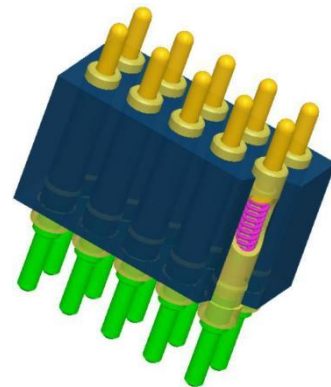
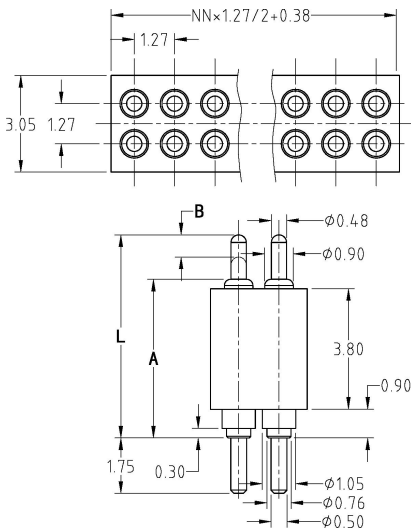


## Y118 - 11 GG - T NN 100F

|   |  |   |
|---|--|---|
| Housing<br>-X                               | Gold Plating Code- <b>GG</b>                                     |   |
| <b>T</b> -Single H3.80<br>Pitch 1.27        | <b>G</b> -Barrel<br>1-0.125um<br>2-0.25um<br>4-0.5um<br>5-0.75um | <b>G</b> -Plunger<br>1-0.125um<br>2-0.25um<br>4-0.5um<br>5-0.75um |
| <b>NN</b> Specify number of contacts: 02-30 |  |   |

| Part NO.                      | Initial height<br>-L(mm) | Barrel length<br>-A(mm) | Working stroke<br>-B(mm) | Spring force<br>(g) | Max. stroke<br>(mm) | Current<br>rating |
|-------------------------------|--------------------------|-------------------------|--------------------------|---------------------|---------------------|-------------------|
| Y118 -11 GG - <b>T</b> NN100F | 6.40                     | 5.00                    | 0.70                     | 50g                 | 1.20                | 1A                |

Note: this product is only suitable for signal transmission



## Y118 - 11 GG - R NN 100F

|   |  |   |
|---|--|---|
| Housing<br>-X                               | Gold Plating Code- <b>GG</b>                                     |   |
| <b>R</b> -Double H3.80<br>Pitch 1.27        | <b>G</b> -Barrel<br>1-0.125um<br>2-0.25um<br>4-0.5um<br>5-0.75um | <b>G</b> -Plunger<br>1-0.125um<br>2-0.25um<br>4-0.5um<br>5-0.75um |
| <b>NN</b> Specify number of contacts: 04-24 |  |   |

| Part NO.                      | Initial height<br>-L(mm) | Barrel length<br>-A(mm) | Working stroke<br>-B(mm) | Spring force<br>(g) | Max. stroke<br>(mm) | Current<br>rating |
|-------------------------------|--------------------------|-------------------------|--------------------------|---------------------|---------------------|-------------------|
| Y118 -11 GG - <b>R</b> NN100F | 6.40                     | 5.00                    | 0.70                     | 50g                 | 1.20                | 1A                |

Note: this product is only suitable for signal transmission

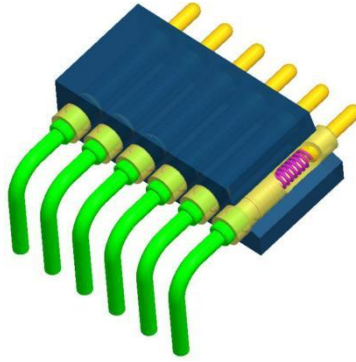
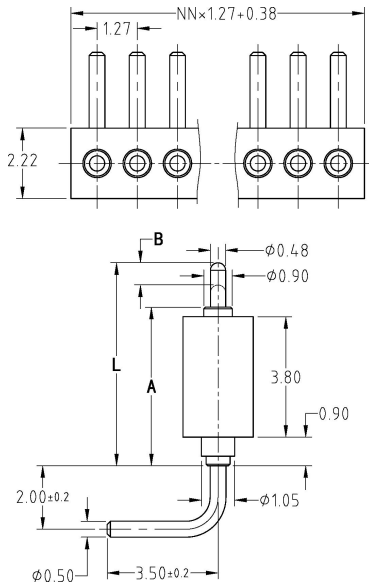
-Materials:  
 .Plunger: BrassC6801 Gold over Nickel  
 .Barrel & Plug: BrassC6801 Gold over Nickel  
 .Spring: SUS304 Gold over Nickel  
 .Housing :Black HTN UL94 V-0  
 -Dimensions: Millimeters  
 -Tolerances on:  
 .lengths: ±0.1  
 .Diameters: ±0.05

-Mechanical Specifications:  
 .Durability: 10000~1000,000 cycles  
 -Electrical Specifications:  
 .Voltage rating : DC12V  
 .Contact resistance: 50 milli-ohm Max.  
 -Environmental Specifications:  
 -Operating teYTerature range: -40/+105℃ (discontinuous)

# Pogo Pin Connector-Multi-pins

-1.27Pitch Single&Double Row.

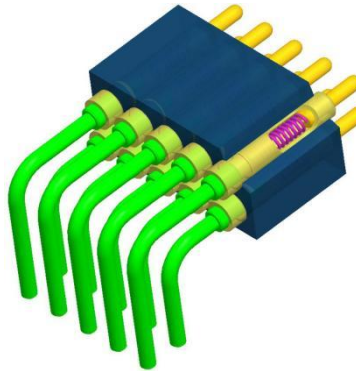
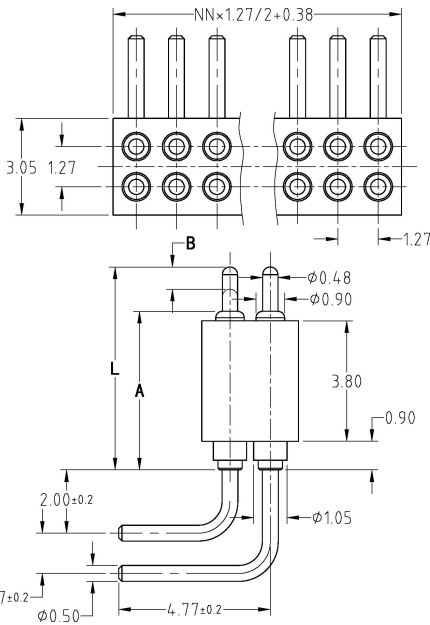
-Bend Pogo Pin Connector



| YT118 - 21 <b>GG</b> - <b>T</b> <b>NN</b> 100F |  |   |
|--|--|---|
| Housing<br><b>-X</b>                           | Gold Plating Code- <b>GG</b>                                     |   |
| <b>T</b> -Single H3.80<br>Pitch 1.27           | <b>G</b> -Barrel<br>1-0.125um<br>2-0.25um<br>4-0.5um<br>5-0.75um | <b>G</b> -Plunger<br>1-0.125um<br>2-0.25um<br>4-0.5um<br>5-0.75um |
| <b>NN</b> Specify number of contacts: 02-30    |  |   |

| Part NO.                       | Initial height<br><b>-L</b> (mm) | Barrel length<br><b>-A</b> (mm) | Working stroke<br><b>-B</b> (mm) | Spring force<br>(g) | Max. stroke<br>(mm) | Current<br>rating |
|--------------------------------|----------------------------------|---------------------------------|----------------------------------|---------------------|---------------------|-------------------|
| YT118 -21 GG - <b>T</b> NN100F | 6.40                             | 5.00                            | 0.70                             | 50g                 | 1.20                | 1A                |

Note: this product is only suitable for signal transmission



| YT118 - 31 <b>GG</b> - <b>R</b> <b>NN</b> 100F |  |   |
|--|--|---|
| Housing<br><b>-X</b>                           | Gold Plating Code- <b>GG</b>                                     |   |
| <b>R</b> -Double H3.80<br>Pitch 1.27           | <b>G</b> -Barrel<br>1-0.125um<br>2-0.25um<br>4-0.5um<br>5-0.75um | <b>G</b> -Plunger<br>1-0.125um<br>2-0.25um<br>4-0.5um<br>5-0.75um |
| <b>NN</b> Specify number of contacts: 04-24    |  |   |

| Part NO.                       | Initial height<br><b>-L</b> (mm) | Barrel length<br><b>-A</b> (mm) | Working stroke<br><b>-B</b> (mm) | Spring force<br>(g) | Max. stroke<br>(mm) | Current<br>rating |
|--------------------------------|----------------------------------|---------------------------------|----------------------------------|---------------------|---------------------|-------------------|
| YT118 -31 GG - <b>R</b> NN100F | 6.40                             | 5.00                            | 0.70                             | 50g                 | 1.20                | 1A                |

Note: this product is only suitable for signal transmission

- Materials:
- .Plunger: BrassC6801 Gold over Nickel
- .Barrel & Plug: BrassC6801 Gold over Nickel
- .Spring: SUS304 Gold over Nickel
- .Housing :Black HTN UL94 V-0
- Dimensions: Millimeters
- Tolerances on:
- .lengths: ±0.1
- .Diameters: ±0.05

- Mechanical Specifications:
- .Durability: 10000~1000,000 cycles
- Electrical Specifications:
- .Voltage rating : DC12V
- .Contact resistance: 50 milli-ohm Max.
- Environmental Specifications:
- Operating teYTerature range: -40/+105℃ (discontinuous)

# Pogo Pin Connector-Multi-pins

-2.00 Pitch Single Row

-SMT Pogo Pin Connector

| YTXXX - SS <b>GG</b> - X <b>NN</b> 100F     |   |   |
|---|---|---|
| Housing<br><b>-X</b>                        | Gold Plating Code- <b>GG</b>              |   |
| <b>D</b> -Single H2.50<br>Pitch 2.00        | <b>G-Barrier</b><br>1-0.125um<br>2-0.25um | <b>G-Plunger</b><br>1-0.125um<br>2-0.25um |
| <b>K</b> -Single H4.00<br>Pitch 2.00        | 4-0.5um<br>5-0.75um                       | 4-0.5um<br>5-0.75um                       |
| <b>NN</b> Specify number of contacts: 02-36 |   |   |

| Part NO.            | Initial height<br>-L(mm) | Barrel length<br>-A(mm) | Housing<br>-H(mm) | Working stroke<br>-B(mm) | Spring force<br>(g) | Max. stroke<br>(mm) | Current rating |
|---------------------|--------------------------|-------------------------|-------------------|--------------------------|---------------------|---------------------|----------------|
| YT808-11GG-DNN100F  | 4.20                     | 3.00                    | 2.50              | 1.00                     | 80g                 | 1.40                | 1A             |
| YT808-21GG-DNN100F  | 4.40                     | 3.00                    | 2.50              | 1.00                     | 80g                 | 1.40                | 1A             |
| YT809-11GG-DNN100F  | 4.50                     | 3.30                    | 2.50              | 1.00                     | 70g                 | 1.40                | 1A             |
| YT809-21GG-DNN100F  | 5.00                     | 3.30                    | 2.50              | 1.00                     | 70g                 | 1.40                | 1A             |
| YT810-11GG-DNN100F  | 5.50                     | 4.30                    | 2.50              | 1.00                     | 70g                 | 1.40                | 3A             |
| YT810-21GG-DNN100F  | 6.00                     | 4.30                    | 2.50              | 1.00                     | 70g                 | 1.40                | 3A             |
| YT811-11GG-DNN100F  | 6.50                     | 5.30                    | 2.50              | 1.00                     | 70g                 | 1.40                | 3A             |
| YT811-21GG-DNN100F  | 7.00                     | 5.30                    | 2.50              | 1.00                     | 70g                 | 1.40                | 3A             |
| YT811-31GG-DNN100F  | 7.50                     | 5.30                    | 2.50              | 1.00                     | 70g                 | 1.40                | 3A             |
| YT811-41GG-DNN100F  | 8.00                     | 5.30                    | 2.50              | 1.00                     | 70g                 | 1.40                | 3A             |
| YT884-11GG--DNN100F | 4.20                     | 3.00                    | 2.50              | 1.00                     | 30g                 | 1.40                | 1A             |
| YT884-21GG--DNN100F | 4.40                     | 3.00                    | 2.50              | 1.00                     | 30g                 | 1.40                | 1A             |
| YT885-11GG--DNN100F | 4.70                     | 3.30                    | 2.50              | 1.20                     | 30g                 | 1.40                | 1A             |
| YT885-21GG--DNN100F | 5.00                     | 3.30                    | 2.50              | 1.20                     | 30g                 | 1.40                | 1A             |
| YT886-11GG--DNN100F | 5.30                     | 3.60                    | 2.50              | 1.50                     | 30g                 | 1.70                | 1A             |
| YT886-21GG--DNN100F | 5.50                     | 3.60                    | 2.50              | 1.50                     | 30g                 | 1.70                | 1A             |
| YT810-11GG-KNN100F  | 5.50                     | 4.30                    | 4.00              | 1.00                     | 70g                 | 1.40                | 3A             |
| YT810-21GG-KNN100F  | 6.00                     | 4.30                    | 4.00              | 1.00                     | 70g                 | 1.40                | 3A             |
| YT811-11GG-KNN100F  | 6.50                     | 5.30                    | 4.00              | 1.00                     | 70g                 | 1.40                | 3A             |
| YT811-21GG-KNN100F  | 7.00                     | 5.30                    | 4.00              | 1.00                     | 70g                 | 1.40                | 3A             |
| YT811-31GG-KNN100F  | 7.50                     | 5.30                    | 4.00              | 1.00                     | 70g                 | 1.40                | 3A             |
| YT811-41GG-KNN100F  | 8.00                     | 5.30                    | 4.00              | 1.00                     | 70g                 | 1.40                | 3A             |

Note: When the current rating is 1A, This product is only suitable for signal transmission

|  |   |
|--|---|
| <p>-Materials:<br/>                 .Plunger: BrassC6801 Gold over Nickel<br/>                 .Barrel &amp; Plug: BrassC6801 Gold over Nickel<br/>                 .Spring: SUS304 Gold over Nickel<br/>                 .Housing :Black HTN UL94 V-0<br/>                 -Dimensions: Millimeters<br/>                 -Tolerances on:<br/>                 .lengths: ±0.1<br/>                 .Diameters: ±0.05</p> | <p>-Mechanical Specifications:<br/>                 .Durability: 10000~1000,000 cycles<br/>                 -Electrical Specifications:<br/>                 .Voltage rating : DC12V<br/>                 .Contact resistance: 50 milli-ohm Max.<br/>                 -Environmental Specifications:<br/>                 -Operating teYTerature range: -40/+105℃ (discontinuous)</p> |
|--|---|



# Pogo Pin Connector-Multi-pins

-2.00 Pitch Double Row

-SMT Pogo Pin Connector

| YTXXX - SS <span style="color: red;">GG</span> - X <span style="color: blue;">NN</span> 100F   |  |   |
|--|--|---|
| Housing<br><span style="color: red;">-X</span>   | Gold Plating Code- <span style="color: red;">GG</span>                                     |   |
| <span style="color: blue;">G</span> -Double H2.50<br>Pitch 2.00<br><br><span style="color: blue;">L</span> -Double H4.00<br>Pitch 2.00 | <span style="color: red;">G</span> -Barrel<br>1-0.125um<br>2-0.25um<br>4-0.5um<br>5-0.75um | <span style="color: red;">G</span> -Plunger<br>1-0.125um<br>2-0.25um<br>4-0.5um<br>5-0.75um |
| <span style="color: green;">NN</span> Specify number of contacts: 04-72  |  |   |

| Part NO.            | Initial height<br><span style="color: red;">-L</span> (mm) | Barrel length<br><span style="color: red;">-A</span> (mm) | Housing<br><span style="color: red;">-H</span> (mm) | Working stroke<br><span style="color: red;">-B</span> (mm) | Spring force<br>(g) | Max. stroke<br>(mm) | Current rating |
|---------------------|--|---|---|--|---------------------|---------------------|----------------|
| YT808-11GG-GNN100F  | 4.20   | 3.00  | 2.50  | 1.00   | 80g                 | 1.40                | 1A             |
| YT808-21GG-GNN100F  | 4.40   | 3.00  | 2.50  | 1.00   | 80g                 | 1.40                | 1A             |
| YT809-11GG-GNN100F  | 4.50   | 3.30  | 2.50  | 1.00   | 70g                 | 1.40                | 1A             |
| YT809-21GG-GNN100F  | 5.00   | 3.30  | 2.50  | 1.00   | 70g                 | 1.40                | 1A             |
| YT810-11GG-GNN100F  | 5.50   | 4.30  | 2.50  | 1.00   | 70g                 | 1.40                | 3A             |
| YT810-21GG-GNN100F  | 6.00   | 4.30  | 2.50  | 1.00   | 70g                 | 1.40                | 3A             |
| YT811-11GG-GNN100F  | 6.50   | 5.30  | 2.50  | 1.00   | 70g                 | 1.40                | 3A             |
| YT811-21GG-GNN100F  | 7.00   | 5.30  | 2.50  | 1.00   | 70g                 | 1.40                | 3A             |
| YT811-31GG-GNN100F  | 7.50   | 5.30  | 2.50  | 1.00   | 70g                 | 1.40                | 3A             |
| YT811-41GG-GNN100F  | 8.00   | 5.30  | 2.50  | 1.00   | 70g                 | 1.40                | 3A             |
| YT884-11GG--GNN100F | 4.20   | 3.00  | 2.50  | 1.00   | 30g                 | 1.40                | 1A             |
| YT884-21GG--GNN100F | 4.40   | 3.00  | 2.50  | 1.00   | 30g                 | 1.40                | 1A             |
| YT885-11GG--GNN100F | 4.70   | 3.30  | 2.50  | 1.20   | 30g                 | 1.40                | 1A             |
| YT885-21GG--GNN100F | 5.00   | 3.30  | 2.50  | 1.20   | 30g                 | 1.40                | 1A             |
| YT886-11GG--GNN100F | 5.30   | 3.60  | 2.50  | 1.50   | 30g                 | 1.70                | 1A             |
| YT886-21GG--GNN100F | 5.50   | 3.60  | 2.50  | 1.50   | 30g                 | 1.70                | 1A             |
| YT810-11GG-LNN100F  | 5.50   | 4.30  | 4.00  | 1.00   | 70g                 | 1.40                | 3A             |
| YT810-21GG-LNN100F  | 6.00   | 4.30  | 4.00  | 1.00   | 70g                 | 1.40                | 3A             |
| YT811-11GG-LNN100F  | 6.50   | 5.30  | 4.00  | 1.00   | 70g                 | 1.40                | 3A             |
| YT811-21GG-LNN100F  | 7.00   | 5.30  | 4.00  | 1.00   | 70g                 | 1.40                | 3A             |
| YT811-31GG-LNN100F  | 7.50   | 5.30  | 4.00  | 1.00   | 70g                 | 1.40                | 3A             |
| YT811-41GG-LNN100F  | 8.00   | 5.30  | 4.00  | 1.00   | 70g                 | 1.40                | 3A             |

Note: When the current rating is 1A, This product is only suitable for signal transmission

|  |  |
|--|--|
| <p><b>-Materials:</b></p> <ul style="list-style-type: none"> <li>.Plunger: BrassC6801 Gold over Nickel</li> <li>.Barrel &amp; Plug: BrassC6801 Gold over Nickel</li> <li>.Spring: SUS304 Gold over Nickel</li> <li>.Housing :Black HTN UL94 V-0</li> <li>-Dimensions: Millimeters</li> <li>-Tolerances on:</li> <li>.lengths: ±0.1</li> <li>.Diameters: ±0.05</li> </ul> | <p><b>-Mechanical Specifications:</b></p> <ul style="list-style-type: none"> <li>.Durability: 10000~1000,000 cycles</li> <li>-Electrical Specifications:</li> <li>.Voltage rating : <span style="color: red;">DC12V</span></li> <li>.Contact resistance: 50 milli-ohm Max.</li> <li>-Environmental Specifications:</li> <li>-Operating teYterature range: -40/+105℃ (discontinuous)</li> </ul> |
|--|--|

**RoHS**  
2011/65/EU

# Pogo Pin Connector-Multi-pins

-2.00 Pitch Single Row

-DIP Pogo Pin Connector

| YTXXX - SS <b>GG</b> - X <b>NN</b> 100F     |   |  |
|---|---|--|
| Housing<br><b>-X</b>                        | Gold Plating Code- <b>GG</b>                                    |  |
| <b>D</b> -Single H2.50<br>Pitch 2.00        | <b>G-Barrel</b><br>1-0.125um<br>2-0.25um<br>4-0.5um<br>5-0.75um | <b>G-Plunger</b><br>1-0.125um<br>2-0.25um<br>4-0.5um<br>5-0.75um |
| <b>K</b> -Single H4.00<br>Pitch 2.00        |   |  |
| <b>NN</b> Specify number of contacts: 02-36 |   |  |

| Part NO.            | Initial height<br><b>-L</b> (mm) | Barrel length<br><b>-A</b> (mm) | Housing<br><b>-H</b> (mm) | Working stroke<br><b>-B</b> (mm) | Spring force<br>(g) | Max. stroke<br>(mm) | Current rating |
|---------------------|----------------------------------|---------------------------------|---------------------------|----------------------------------|---------------------|---------------------|----------------|
| YT818-11GG-DNN100F  | 4.20                             | 3.00                            | 2.50                      | 1.00                             | 80g                 | 1.40                | 1A             |
| YT818-21GG-DNN100F  | 4.40                             | 3.00                            | 2.50                      | 1.00                             | 80g                 | 1.40                | 1A             |
| YT819-11GG-DNN100F  | 4.50                             | 3.30                            | 2.50                      | 1.00                             | 70g                 | 1.40                | 1A             |
| YT819-21GG-DNN100F  | 5.00                             | 3.30                            | 2.50                      | 1.00                             | 70g                 | 1.40                | 1A             |
| YT820-11GG-DNN100F  | 5.50                             | 4.30                            | 2.50                      | 1.00                             | 70g                 | 1.40                | 3A             |
| YT820-21GG-DNN100F  | 6.00                             | 4.30                            | 2.50                      | 1.00                             | 70g                 | 1.40                | 3A             |
| YT821-11GG-DNN100F  | 6.50                             | 5.30                            | 2.50                      | 1.00                             | 70g                 | 1.40                | 3A             |
| YT821-21GG-DNN100F  | 7.00                             | 5.30                            | 2.50                      | 1.00                             | 70g                 | 1.40                | 3A             |
| YT821-31GG-DNN100F  | 7.50                             | 5.30                            | 2.50                      | 1.00                             | 70g                 | 1.40                | 3A             |
| YT821-41GG-DNN100F  | 8.00                             | 5.30                            | 2.50                      | 1.00                             | 70g                 | 1.40                | 3A             |
| YT894-11GG--DNN100F | 4.20                             | 3.00                            | 2.50                      | 1.00                             | 30g                 | 1.40                | 1A             |
| YT894-21GG--DNN100F | 4.40                             | 3.00                            | 2.50                      | 1.00                             | 30g                 | 1.40                | 1A             |
| YT895-11GG--DNN100F | 4.70                             | 3.30                            | 2.50                      | 1.20                             | 30g                 | 1.40                | 1A             |
| YT895-21GG--DNN100F | 5.00                             | 3.30                            | 2.50                      | 1.20                             | 30g                 | 1.40                | 1A             |
| YT896-11GG--DNN100F | 5.30                             | 3.60                            | 2.50                      | 1.50                             | 30g                 | 1.70                | 1A             |
| YT896-21GG--DNN100F | 5.50                             | 3.60                            | 2.50                      | 1.50                             | 30g                 | 1.70                | 1A             |
| YT820-11GG-KNN100F  | 5.50                             | 4.30                            | 4.00                      | 1.00                             | 70g                 | 1.40                | 3A             |
| YT820-21GG-KNN100F  | 6.00                             | 4.30                            | 4.00                      | 1.00                             | 70g                 | 1.40                | 3A             |
| YT821-11GG-KNN100F  | 6.50                             | 5.30                            | 4.00                      | 1.00                             | 70g                 | 1.40                | 3A             |
| YT821-21GG-KNN100F  | 7.00                             | 5.30                            | 4.00                      | 1.00                             | 70g                 | 1.40                | 3A             |
| YT821-31GG-KNN100F  | 7.50                             | 5.30                            | 4.00                      | 1.00                             | 70g                 | 1.40                | 3A             |
| YT821-41GG-KNN100F  | 8.00                             | 5.30                            | 4.00                      | 1.00                             | 70g                 | 1.40                | 3A             |

Note: When the current rating is 1A, This product is only suitable for signal transmission

|  |  |
|--|--|
| <p><b>-Materials:</b></p> <ul style="list-style-type: none"> <li>.Plunger: BrassC6801 Gold over Nickel</li> <li>.Barrel &amp; Plug: BrassC6801 Gold over Nickel</li> <li>.Spring: SUS304 Gold over Nickel</li> <li>.Housing :Black HTN UL94 V-0</li> <li>-Dimensions: Millimeters</li> <li>-Tolerances on:<br/>.lengths: ±0.1</li> </ul> | <p><b>-Mechanical Specifications:</b></p> <ul style="list-style-type: none"> <li>.Durability: 10000~1000,000 cycles</li> </ul> <p><b>-Electrical Specifications:</b></p> <ul style="list-style-type: none"> <li>.Voltage rating : <b>DC12V</b></li> <li>.Contact resistance: 50 milli-ohm Max.</li> </ul> <p><b>-Environmental Specifications:</b></p> <ul style="list-style-type: none"> <li>-Operating teYTerature range: -40/+105℃ (discontinuous)</li> </ul> |
| <p>.Diameters: ±0.05</p>   |  |

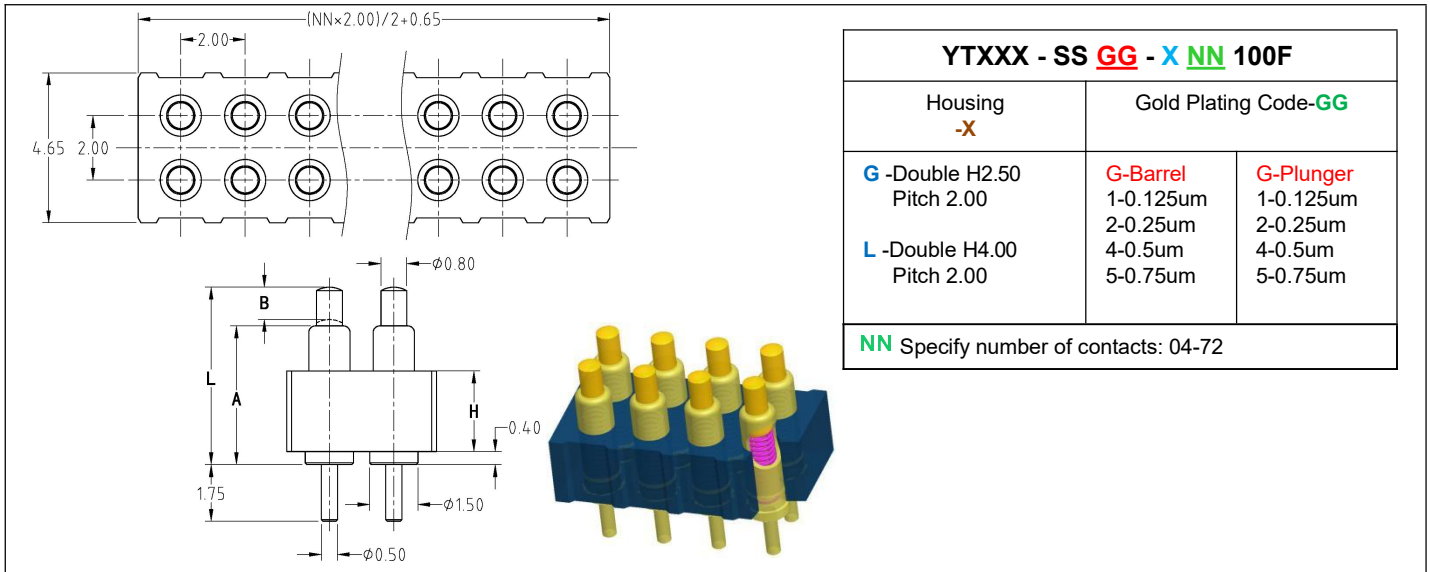
RoHS

2011/65/EU

# Pogo Pin Connector-Multi-pins

-2.00 Pitch Double Row

-DIP Pogo Pin Connector



| YTXXX - SS GG - X NN 100F     |  |   |
|-------------------------------|--|---|
| Housing<br>-X                 | Gold Plating Code-GG                                     |   |
| G -Double H2.50<br>Pitch 2.00 | G-Barrel<br>1-0.125um<br>2-0.25um<br>4-0.5um<br>5-0.75um | G-Plunger<br>1-0.125um<br>2-0.25um<br>4-0.5um<br>5-0.75um |
| L -Double H4.00<br>Pitch 2.00 | NN Specify number of contacts: 04-72                     |   |

| Part NO.            | Initial height<br>-L(mm) | Barrel length<br>-A(mm) | Housing<br>-H(mm) | Working stroke<br>-B(mm) | Spring force<br>(g) | Max. stroke<br>(mm) | Current rating |
|---------------------|--------------------------|-------------------------|-------------------|--------------------------|---------------------|---------------------|----------------|
| YT818-11GG-GNN100F  | 4.20                     | 3.00                    | 2.50              | 1.00                     | 80g                 | 1.40                | 1A             |
| YT818-21GG-GNN100F  | 4.40                     | 3.00                    | 2.50              | 1.00                     | 80g                 | 1.40                | 1A             |
| YT819-11GG-GNN100F  | 4.50                     | 3.30                    | 2.50              | 1.00                     | 70g                 | 1.40                | 1A             |
| YT819-21GG-GNN100F  | 5.00                     | 3.30                    | 2.50              | 1.00                     | 70g                 | 1.40                | 1A             |
| YT820-11GG-GNN100F  | 5.50                     | 4.30                    | 2.50              | 1.00                     | 70g                 | 1.40                | 3A             |
| YT820-21GG-GNN100F  | 6.00                     | 4.30                    | 2.50              | 1.00                     | 70g                 | 1.40                | 3A             |
| YT821-11GG-GNN100F  | 6.50                     | 5.30                    | 2.50              | 1.00                     | 70g                 | 1.40                | 3A             |
| YT821-21GG-GNN100F  | 7.00                     | 5.30                    | 2.50              | 1.00                     | 70g                 | 1.40                | 3A             |
| YT821-31GG-GNN100F  | 7.50                     | 5.30                    | 2.50              | 1.00                     | 70g                 | 1.40                | 3A             |
| YT821-41GG-GNN100F  | 8.00                     | 5.30                    | 2.50              | 1.00                     | 70g                 | 1.40                | 3A             |
| YT894-11GG--GNN100F | 4.20                     | 3.00                    | 2.50              | 1.00                     | 30g                 | 1.40                | 1A             |
| YT894-21GG--GNN100F | 4.40                     | 3.00                    | 2.50              | 1.00                     | 30g                 | 1.40                | 1A             |
| YT895-11GG--GNN100F | 4.70                     | 3.30                    | 2.50              | 1.20                     | 30g                 | 1.40                | 1A             |
| YT895-21GG--GNN100F | 5.00                     | 3.30                    | 2.50              | 1.20                     | 30g                 | 1.40                | 1A             |
| YT896-11GG--GNN100F | 5.30                     | 3.60                    | 2.50              | 1.50                     | 30g                 | 1.70                | 1A             |
| YT896-21GG--GNN100F | 5.50                     | 3.60                    | 2.50              | 1.50                     | 30g                 | 1.70                | 1A             |
| YT820-11GG-LNN100F  | 5.50                     | 4.30                    | 4.00              | 1.00                     | 70g                 | 1.40                | 3A             |
| YT820-21GG-LNN100F  | 6.00                     | 4.30                    | 4.00              | 1.00                     | 70g                 | 1.40                | 3A             |
| YT821-11GG-LNN100F  | 6.50                     | 5.30                    | 4.00              | 1.00                     | 70g                 | 1.40                | 3A             |
| YT821-21GG-LNN100F  | 7.00                     | 5.30                    | 4.00              | 1.00                     | 70g                 | 1.40                | 3A             |
| YT821-31GG-LNN100F  | 7.50                     | 5.30                    | 4.00              | 1.00                     | 70g                 | 1.40                | 3A             |
| YT821-41GG-LNN100F  | 8.00                     | 5.30                    | 4.00              | 1.00                     | 70g                 | 1.40                | 3A             |

Note: When the current rating is 1A, This product is only suitable for signal transmission

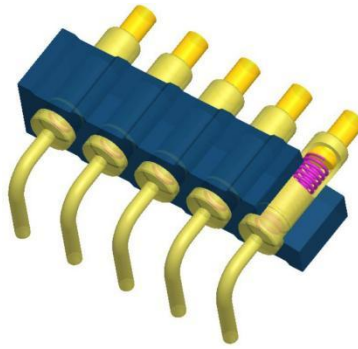
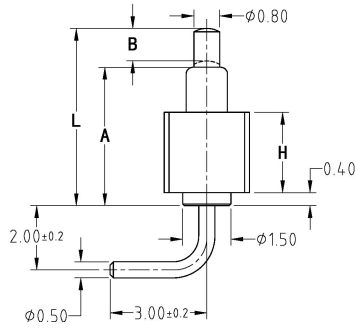
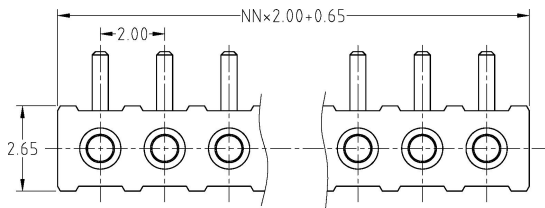
|  |  |
|--|--|
| <p>-Materials:<br/>                 .Plunger: BrassC6801 Gold over Nickel<br/>                 .Barrel &amp; Plug: BrassC6801 Gold over Nickel<br/>                 .Spring: SUS304 Gold over Nickel<br/>                 .Housing :Black HTN UL94 V-0<br/>                 -Dimensions: Millimeters<br/>                 -Tolerances on: .lengths: ±0.1 .Diameters: ±0.05</p> | <p>-Mechanical Specifications:<br/>                 .Durability: 10000~1000,000 cycles<br/>                 -Electrical Specifications:<br/>                 .Voltage rating : DC12V<br/>                 .Contact resistance: 50 milli-ohm Max.<br/>                 -Environmental Specifications:<br/>                 -Operating teYTerature range: -40/+105°C (discontinuous)</p> |
|--|--|



# Pogo Pin Connector-Multi-pins

-2.00 Pitch Single Row

-Bend Pogo Pin Connector



| YTXXX - SS <b>GG</b> - X <b>NN</b> 100F     |   |  |
|---|---|--|
| Housing<br><b>-X</b>                        | Gold Plating Code- <b>GG</b>                                    |  |
| <b>D</b> -Single H2.50<br>Pitch 2.00        | <b>G-Barrel</b><br>1-0.125um<br>2-0.25um<br>4-0.5um<br>5-0.75um | <b>G-Plunger</b><br>1-0.125um<br>2-0.25um<br>4-0.5um<br>5-0.75um |
| <b>K</b> -Single H4.00<br>Pitch 2.00        |   |  |
| <b>NN</b> Specify number of contacts: 02-36 |   |  |

| Part NO.           | Initial height<br>-L(mm) | Barrel length<br>-A(mm) | Housing<br>-H(mm) | Working stroke<br>-B(mm) | Spring force<br>(g) | Max. stroke<br>(mm) | Current rating |
|--------------------|--------------------------|-------------------------|-------------------|--------------------------|---------------------|---------------------|----------------|
| YT829-11GG-DNN100F | 4.50                     | 3.30                    | 2.50              | 1.00                     | 70g                 | 1.40                | 1A             |
| YT829-21GG-DNN100F | 5.00                     | 3.30                    | 2.50              | 1.00                     | 70g                 | 1.40                | 1A             |
| YT830-11GG-DNN100F | 5.50                     | 4.30                    | 2.50              | 1.00                     | 70g                 | 1.20                | 3A             |
| YT830-21GG-DNN100F | 6.00                     | 4.30                    | 2.50              | 1.00                     | 70g                 | 1.20                | 3A             |
| YT830-31GG-DNN100F | 6.50                     | 4.30                    | 2.50              | 1.00                     | 70g                 | 1.20                | 3A             |
| YT830-41GG-DNN100F | 7.00                     | 4.30                    | 2.50              | 1.00                     | 70g                 | 1.20                | 3A             |
| YT831-11GG-DNN100F | 6.50                     | 5.30                    | 2.50              | 1.00                     | 70g                 | 1.40                | 3A             |
| YT831-21GG-DNN100F | 7.00                     | 5.30                    | 2.50              | 1.00                     | 70g                 | 1.40                | 3A             |
| YT831-31GG-DNN100F | 7.50                     | 5.30                    | 2.50              | 1.00                     | 70g                 | 1.40                | 3A             |
| YT831-41GG-DNN100F | 8.00                     | 5.30                    | 2.50              | 1.00                     | 70g                 | 1.40                | 3A             |
| YT830-11GG-KNN100F | 5.50                     | 4.30                    | 4.00              | 1.00                     | 70g                 | 1.20                | 3A             |
| YT830-21GG-KNN100F | 6.00                     | 4.30                    | 4.00              | 1.00                     | 70g                 | 1.20                | 3A             |
| YT830-31GG-KNN100F | 6.50                     | 4.30                    | 4.00              | 1.00                     | 70g                 | 1.20                | 3A             |
| YT830-41GG-KNN100F | 7.00                     | 4.30                    | 4.00              | 1.00                     | 70g                 | 1.20                | 3A             |
| YT831-11GG-KNN100F | 6.50                     | 5.30                    | 4.00              | 1.00                     | 70g                 | 1.40                | 3A             |
| YT831-21GG-KNN100F | 7.00                     | 5.30                    | 4.00              | 1.00                     | 70g                 | 1.40                | 3A             |
| YT831-31GG-KNN100F | 7.50                     | 5.30                    | 4.00              | 1.00                     | 70g                 | 1.40                | 3A             |
| YT831-41GG-KNN100F | 8.00                     | 5.30                    | 4.00              | 1.00                     | 70g                 | 1.40                | 3A             |

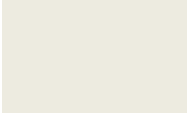
Note: When the current rating is 1A, This product is only suitable for signal transmission

**-Materials:**

- .Plunger: BrassC6801 Gold over Nickel
- .Barrel & Plug: BrassC6801 Gold over Nickel
- .Spring: SUS304 Gold over Nickel
- .Housing :Black HTN UL94 V-0
- Dimensions: Millimeters
- Tolerances on:
- .lengths: ±0.1
- .Diameters: ±0.05

**-Mechanical Specifications:**

- .Durability: 10000~1000,000 cycles
- Electrical Specifications:
- .Voltage rating : **DC12V**
- .Contact resistance: 50 milli-ohm Max.
- Environmental Specifications:
- Operating teYTerature range: -40/+105°C (discontinuous)



# Pogo Pin Connector-Multi-pins

-2.00 Pitch Double Row

-Bend Pogo Pin Connector

|  |  |  |
|--|--|--|
| <b>YTXXX - SS GG - X NN 100F</b>   |  |  |
| Housing<br>-X  | Gold Plating Code- <b>GG</b>                                     |  |
| <b>G</b> -Double H2.50<br>Pitch 2.00<br><br><b>L</b> -Double H4.00<br>Pitch 2.00 | <b>G-Barrier</b><br>1-0.125um<br>2-0.25um<br>4-0.5um<br>5-0.75um | <b>G-Plunger</b><br>1-0.125um<br>2-0.25um<br>4-0.5um<br>5-0.75um |
| <b>NN</b> Specify number of contacts: 04-72                                      |  |  |

| Part NO.           | Initial height<br>-L(mm) | Barrel length<br>-A(mm) | Housing<br>-H(mm) | Working stroke<br>-B(mm) | Spring force<br>(g) | Max. stroke<br>(mm) | Current rating |
|--------------------|--------------------------|-------------------------|-------------------|--------------------------|---------------------|---------------------|----------------|
| YT829-11GG-GNN100F | 4.50                     | 3.30                    | 2.50              | 1.00                     | 70g                 | 1.40                | 1A             |
| YT829-21GG-GNN100F | 5.00                     | 3.30                    | 2.50              | 1.00                     | 70g                 | 1.40                | 1A             |
| YT830-11GG-GNN100F | 5.50                     | 4.30                    | 2.50              | 1.00                     | 70g                 | 1.20                | 3A             |
| YT830-21GG-GNN100F | 6.00                     | 4.30                    | 2.50              | 1.00                     | 70g                 | 1.20                | 3A             |
| YT830-31GG-GNN100F | 6.50                     | 4.30                    | 2.50              | 1.00                     | 70g                 | 1.20                | 3A             |
| YT830-41GG-GNN100F | 7.00                     | 4.30                    | 2.50              | 1.00                     | 70g                 | 1.20                | 3A             |
| YT831-11GG-GNN100F | 6.50                     | 5.30                    | 2.50              | 1.00                     | 70g                 | 1.40                | 3A             |
| YT831-21GG-GNN100F | 7.00                     | 5.30                    | 2.50              | 1.00                     | 70g                 | 1.40                | 3A             |
| YT831-31GG-GNN100F | 7.50                     | 5.30                    | 2.50              | 1.00                     | 70g                 | 1.40                | 3A             |
| YT831-41GG-GNN100F | 8.00                     | 5.30                    | 2.50              | 1.00                     | 70g                 | 1.40                | 3A             |
| YT830-11GG-LNN100F | 5.50                     | 4.30                    | 4.00              | 1.00                     | 70g                 | 1.20                | 3A             |
| YT830-21GG-LNN100F | 6.00                     | 4.30                    | 4.00              | 1.00                     | 70g                 | 1.20                | 3A             |
| YT830-31GG-LNN100F | 6.50                     | 4.30                    | 4.00              | 1.00                     | 70g                 | 1.20                | 3A             |
| YT830-41GG-LNN100F | 7.00                     | 4.30                    | 4.00              | 1.00                     | 70g                 | 1.20                | 3A             |
| YT831-11GG-LNN100F | 6.50                     | 5.30                    | 4.00              | 1.00                     | 70g                 | 1.40                | 3A             |
| YT831-21GG-LNN100F | 7.00                     | 5.30                    | 4.00              | 1.00                     | 70g                 | 1.40                | 3A             |
| YT831-31GG-LNN100F | 7.50                     | 5.30                    | 4.00              | 1.00                     | 70g                 | 1.40                | 3A             |
| YT831-41GG-LNN100F | 8.00                     | 5.30                    | 4.00              | 1.00                     | 70g                 | 1.40                | 3A             |

Note: When the current rating is 1A, This product is only suitable for signal transmission

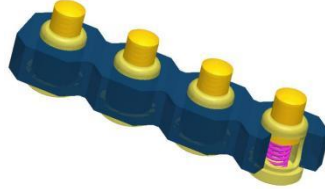
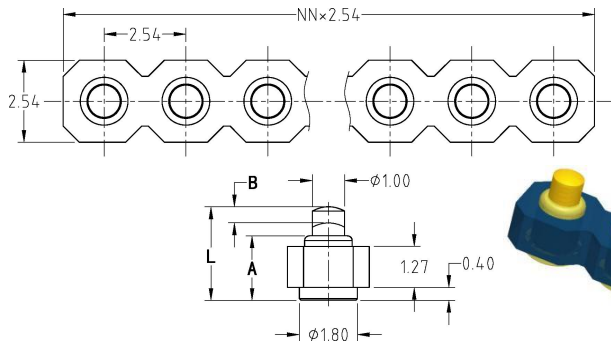
|  |  |
|--|--|
| <p><b>-Materials:</b><br/>                 .Plunger: BrassC6801 Gold over Nickel<br/>                 .Barrel &amp; Plug: BrassC6801 Gold over Nickel<br/>                 .Spring: SUS304 Gold over Nickel<br/>                 .Housing :Black HTN UL94 V-0<br/> <b>-Dimensions: Millimeters</b><br/>                 -Tolerances on:<br/>                 .lengths: ±0.1<br/>                 .Diameters: ±0.05</p> | <p><b>-Mechanical Specifications:</b><br/>                 .Durability: 10000~1000,000 cycles<br/> <b>-Electrical Specifications:</b><br/>                 .Voltage rating : <b>DC12V</b><br/>                 .Contact resistance: 50 milli-ohm Max.<br/> <b>-Environmental Specifications:</b><br/>                 -Operating teYTerature range: -40/+105°C (discontinuous)</p> |
|--|--|



# Pogo Pin Connector-Multi-pins

-2.54 Pitch Single Row

-SMT Pogo Pin Connector

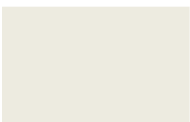


| YTXXX - SS <b>GG</b> - X <b>NN</b> 100F     |  |  |
|---|--|--|
| Housing<br><b>-X</b>                        | Gold Plating Code- <b>GG</b>                                     |  |
| <b>Q</b> -Single H1.27<br>Pitch 2.54        | <b>G-Barrier</b><br>1-0.125um<br>2-0.25um<br>4-0.5um<br>5-0.75um | <b>G-Plunger</b><br>1-0.125um<br>2-0.25um<br>4-0.5um<br>5-0.75um |
| <b>NN</b> Specify number of contacts: 02-24 |  |  |

| Part NO.           | Initial height -<br><b>L</b> (mm) | Barrel length<br><b>-A</b> (mm) | Working stroke<br><b>-B</b> (mm) | Spring force<br>(g) | Max. stroke<br>(mm) | Current<br>rating |
|--------------------|-----------------------------------|---------------------------------|----------------------------------|---------------------|---------------------|-------------------|
| YT604-11GG-QNN100F | 2.50                              | 1.70                            | 0.60                             | 100g                | 0.70                | 1A                |
| YT604-21GG-QNN100F | 2.70                              | 1.70                            | 0.60                             | 100g                | 0.70                | 1A                |
| YT605-11GG-QNN100F | 2.90                              | 2.00                            | 0.80                             | 100g                | 0.90                | 1A                |
| YT606-11GG-QNN100F | 3.10                              | 2.30                            | 0.80                             | 100g                | 0.90                | 1A                |
| YT606-21GG-QNN100F | 3.30                              | 2.30                            | 0.80                             | 100g                | 0.90                | 1A                |
| YT607-11GG-QNN100F | 3.50                              | 2.60                            | 0.80                             | 100g                | 1.00                | 1A                |
| YT607-21GG-QNN100F | 3.70                              | 2.60                            | 0.80                             | 100g                | 1.00                | 1A                |
| YT607-31GG-QNN100F | 4.00                              | 2.60                            | 0.80                             | 100g                | 1.00                | 1A                |
| YT608-11GG-QNN100F | 4.20                              | 3.00                            | 1.00                             | 120g                | 1.20                | 1A                |
| YT608-21GG-QNN100F | 4.40                              | 3.00                            | 1.00                             | 120g                | 1.20                | 1A                |
| YT680-11GG-QNN100F | 2.50                              | 1.70                            | 0.60                             | 30g                 | 0.70                | 1A                |
| YT680-21GG-QNN100F | 2.70                              | 1.70                            | 0.60                             | 30g                 | 0.70                | 1A                |
| YT681-11GG-QNN100F | 2.90                              | 2.00                            | 0.60                             | 30g                 | 0.80                | 1A                |
| YT682-11GG-QNN100F | 3.10                              | 2.30                            | 0.60                             | 30g                 | 0.80                | 1A                |
| YT682-21GG-QNN100F | 3.30                              | 2.30                            | 0.60                             | 30g                 | 0.80                | 1A                |
| YT683-11GG-QNN100F | 3.50                              | 2.60                            | 0.80                             | 30g                 | 1.00                | 1A                |
| YT683-21GG-QNN100F | 3.70                              | 2.60                            | 0.80                             | 30g                 | 1.00                | 1A                |
| YT683-31GG-QNN100F | 4.00                              | 2.60                            | 0.80                             | 30g                 | 1.00                | 1A                |
| YT684-11GG-QNN100F | 4.20                              | 3.00                            | 1.00                             | 30g                 | 1.40                | 1A                |
| YT684-21GG-QNN100F | 4.40                              | 3.00                            | 1.00                             | 30g                 | 1.40                | 1A                |
| YT685-11GG-QNN100F | 4.50                              | 3.30                            | 1.00                             | 30g                 | 1.50                | 1A                |
| YT685-21GG-QNN100F | 5.00                              | 3.30                            | 1.00                             | 30g                 | 1.50                | 1A                |
| YT686-11GG-QNN100F | 5.30                              | 3.60                            | 1.30                             | 30g                 | 1.80                | 1A                |
| YT686-21GG-QNN100F | 5.50                              | 3.60                            | 1.30                             | 30g                 | 1.80                | 1A                |

This product is only suitable for signal transmission

|  |   |
|--|---|
| <p>-Materials:<br/>                 .Plunger: BrassC6801 Gold over Nickel<br/>                 .Barrel &amp; Plug: BrassC6801 Gold over Nickel<br/>                 .Spring: SUS304 Gold over Nickel<br/>                 .Housing :Black HTN UL94 V-0<br/>                 -Dimensions: Millimeters<br/>                 -Tolerances on:<br/>                 .lengths: ±0.1    .Diameters: ±0.05</p> | <p>-Mechanical Specifications:<br/>                 .Durability: 10000~1000,000 cycles<br/>                 -Electrical Specifications:<br/>                 .Voltage rating : <b>DC12V</b><br/>                 .Contact resistance: 50 milli-ohm Max.<br/>                 -Environmental Specifications:<br/>                 -Operating teYTerature range: -40/+105°C (discontinuous)</p> |
|--|---|



# Pogo Pin Connector-Multi-pins

-2.54 Pitch Single Row

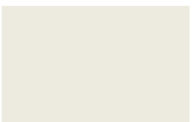
-SMT Pogo Pin Connector

|   |  |   |
|---|--|---|
| <b>YTXXX - SS GG - X NN 100F</b>            |  |   |
| Housing<br><b>-X</b>                        | Gold Plating Code- <b>GG</b>                                     |   |
| <b>A</b> -Single H2.50<br>Pitch 2.54        | <b>G</b> -Barrel<br>1-0.125um<br>2-0.25um<br>4-0.5um<br>5-0.75um | <b>G</b> -Plunger<br>1-0.125um<br>2-0.25um<br>4-0.5um<br>5-0.75um |
| <b>NN</b> Specify number of contacts: 02-64 |  |   |

| Part NO.           | Initial height<br>-L(mm) | Barrel length<br>-A(mm) | Working stroke<br>-B(mm) | Spring force<br>(g) | Max. stroke<br>(mm) | Current rating |
|--------------------|--------------------------|-------------------------|--------------------------|---------------------|---------------------|----------------|
| YT100-11GG-ANN100F | 4.50                     | 3.30                    | 1.00                     | 90g                 | 1.20                | 1A             |
| YT100-21GG-ANN100F | 5.00                     | 3.30                    | 1.00                     | 90g                 | 1.20                | 1A             |
| YT200-11GG-ANN100F | 5.50                     | 4.30                    | 1.00                     | 70g                 | 1.20                | 3A             |
| YT200-21GG-ANN100F | 6.00                     | 4.30                    | 1.00                     | 70g                 | 1.40                | 3A             |
| YT200-31GG-ANN100F | 6.50                     | 4.30                    | 1.00                     | 70g                 | 1.40                | 3A             |
| YT200-41GG-ANN100F | 7.00                     | 4.30                    | 1.00                     | 70g                 | 1.40                | 3A             |
| YT300-11GG-ANN100F | 6.50                     | 5.30                    | 1.00                     | 70g                 | 1.40                | 3A             |
| YT300-21GG-ANN100F | 7.00                     | 5.30                    | 1.00                     | 70g                 | 1.40                | 3A             |
| YT300-31GG-ANN100F | 7.50                     | 5.30                    | 1.00                     | 70g                 | 1.40                | 3A             |
| YT300-41GG-ANN100F | 8.00                     | 5.30                    | 1.00                     | 70g                 | 1.40                | 3A             |
| YT300-81GG-ANN100F | 9.90                     | 5.30                    | 1.00                     | 70g                 | 1.40                | 3A             |
| YT300-91GG-ANN100F | 10.40                    | 5.30                    | 1.00                     | 70g                 | 1.40                | 3A             |
| YT305-11GG-ANN100F | 6.50                     | 5.30                    | 1.00                     | 70g                 | 1.40                | 5A大电流          |
| YT305-21GG-ANN100F | 7.00                     | 5.30                    | 1.00                     | 70g                 | 1.40                | 5A大电流          |
| YT305-31GG-ANN100F | 7.50                     | 5.30                    | 1.00                     | 70g                 | 1.40                | 5A大电流          |
| YT305-41GG-ANN100F | 8.00                     | 5.30                    | 1.00                     | 70g                 | 1.40                | 5A大电流          |
| YT501-11GG-ANN100F | 9.00                     | 7.30                    | 1.00                     | 70g                 | 1.40                | 3A             |
| YT501-21GG-ANN100F | 10.00                    | 7.30                    | 1.00                     | 70g                 | 1.40                | 3A             |
| YT501-31GG-ANN100F | 11.00                    | 7.30                    | 1.00                     | 70g                 | 1.40                | 3A             |

Note: When the current rating is 1A, This product is only suitable for signal transmission

|  |   |
|--|---|
| <p>-Materials:<br/>                 .Plunger: BrassC6801 Gold over Nickel<br/>                 .Barrel &amp; Plug: BrassC6801 Gold over Nickel<br/>                 .Spring: SUS304 Gold over Nickel<br/>                 .Housing :Black HTN UL94 V-0<br/>                 -Dimensions: Millimeters<br/>                 -Tolerances on:<br/>                 .lengths: ±0.1    .Diameters: ±0.05</p> | <p>-Mechanical Specifications:<br/>                 .Durability: 10000~1000,000 cycles<br/>                 -Electrical Specifications:<br/>                 .Voltage rating : <b>DC12V</b><br/>                 .Contact resistance: 50 milli-ohm Max.<br/>                 -Environmental Specifications:<br/>                 -Operating teYTerature range: -40/+105°C (discontinuous)</p> |
|--|---|



# Pogo Pin Connector-Multi-pins

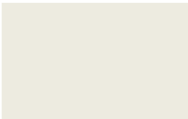
-2.54 Pitch Single Row

-SMT Pogo Pin Connector

|                                   |  |   |
|-----------------------------------|--|---|
| <b>YTXXX - SS GG - X NN 100F</b>  |  |   |
| Housing<br><b>-X</b>              | Gold Plating Code- <b>GG</b>                             |   |
| E -Single H4.00<br>Pitch 2.54     | G-Barrel<br>1-0.125um<br>2-0.25um<br>4-0.5um<br>5-0.75um | G-Plunger<br>1-0.125um<br>2-0.25um<br>4-0.5um<br>5-0.75um |
| Specify number of contacts: 02-64 |  |   |

| Part NO.           | Initial height<br>-L(mm) | Barrel length<br>-A(mm) | Working stroke<br>-B(mm) | Spring force<br>(g) | Max. stroke<br>(mm) | Current rating |
|--------------------|--------------------------|-------------------------|--------------------------|---------------------|---------------------|----------------|
| YT200-11GG-ENN100F | 5.50                     | 4.30                    | 1.00                     | 70g                 | 1.20                | 3A             |
| YT200-21GG-ENN100F | 6.00                     | 4.30                    | 1.00                     | 70g                 | 1.40                | 3A             |
| YT200-31GG-ENN100F | 6.50                     | 4.30                    | 1.00                     | 70g                 | 1.40                | 3A             |
| YT200-41GG-ENN100F | 7.00                     | 4.30                    | 1.00                     | 70g                 | 1.40                | 3A             |
| YT300-11GG-ENN100F | 6.50                     | 5.30                    | 1.00                     | 70g                 | 1.40                | 3A             |
| YT300-21GG-ENN100F | 7.00                     | 5.30                    | 1.00                     | 70g                 | 1.40                | 3A             |
| YT300-31GG-ENN100F | 7.50                     | 5.30                    | 1.00                     | 70g                 | 1.40                | 3A             |
| YT300-41GG-ENN100F | 8.00                     | 5.30                    | 1.00                     | 70g                 | 1.40                | 3A             |
| YT300-81GG-ENN100F | 9.90                     | 5.30                    | 1.00                     | 70g                 | 1.40                | 3A             |
| YT300-91GG-ENN100F | 10.40                    | 5.30                    | 1.00                     | 70g                 | 1.40                | 3A             |
| YT305-11GG-ENN100F | 6.50                     | 5.30                    | 1.00                     | 70g                 | 1.40                | 5A大电流          |
| YT305-21GG-ENN100F | 7.00                     | 5.30                    | 1.00                     | 70g                 | 1.40                | 5A大电流          |
| YT305-31GG-ENN100F | 7.50                     | 5.30                    | 1.00                     | 70g                 | 1.40                | 5A大电流          |
| YT305-41GG-ENN100F | 8.00                     | 5.30                    | 1.00                     | 70g                 | 1.40                | 5A大电流          |
| YT501-11GG-ENN100F | 9.00                     | 7.30                    | 1.00                     | 70g                 | 1.40                | 3A             |
| YT501-21GG-ENN100F | 10.00                    | 7.30                    | 1.00                     | 70g                 | 1.40                | 3A             |
| YT501-31GG-ENN100F | 11.00                    | 7.30                    | 1.00                     | 70g                 | 1.40                | 3A             |
| YT502-11GG-ENN100F | 12.00                    | 10.30                   | 1.00                     | 70g                 | 1.40                | 3A             |
| YT502-21GG-ENN100F | 13.00                    | 10.30                   | 1.00                     | 70g                 | 1.40                | 3A             |
| YT502-31GG-ENN100F | 14.00                    | 10.30                   | 1.00                     | 70g                 | 1.40                | 3A             |
| YT503-11GG-ENN100F | 15.00                    | 12.30                   | 1.00                     | 70g                 | 1.40                | 3A             |

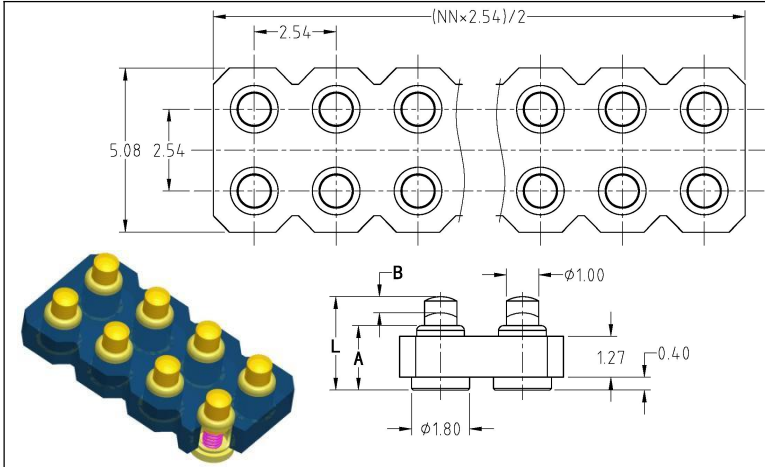
|   |   |
|---|---|
| <p>-Materials:</p> <ul style="list-style-type: none"> <li>.Plunger: BrassC6801 Gold over Nickel</li> <li>.Barrel &amp; Plug: BrassC6801 Gold over Nickel</li> <li>.Spring: SUS304 Gold over Nickel</li> <li>.Housing :Black HTN UL94 V-0</li> <li>-Dimensions: Millimeters</li> <li>-Tolerances on:</li> <li>.lengths: ±0.1    .Diameters: ±0.05</li> </ul> | <p>-Mechanical Specifications:</p> <ul style="list-style-type: none"> <li>.Durability: 10000~1000,000 cycles</li> </ul> <p>-Electrical Specifications:</p> <ul style="list-style-type: none"> <li>.Voltage rating : <b>DC12V</b></li> <li>.Contact resistance: 50 milli-ohm Max.</li> </ul> <p>-Environmental Specifications:</p> <ul style="list-style-type: none"> <li>-Operating teYTemperature range: -40/+105°C (discontinuous)</li> </ul> |
|---|---|



# Pogo Pin Connector-Multi-pins

-2.54 Pitch Double Row

-SMT Pogo Pin Connector



| YTXXX - SS <b>GG</b> - X <b>NN</b> 100F     |  |   |
|---|--|---|
| Housing<br><b>-X</b>                        | Gold Plating Code- <b>GG</b>                                     |   |
| <b>S</b> -Double H1.27<br>Pitch 2.54        | <b>G</b> -Barrel<br>1-0.125um<br>2-0.25um<br>4-0.5um<br>5-0.75um | <b>G</b> -Plunger<br>1-0.125um<br>2-0.25um<br>4-0.5um<br>5-0.75um |
| <b>NN</b> Specify number of contacts: 04-24 |  |   |

| Part NO.           | Initial height -<br>L(mm) | Barrel length<br>-A(mm) | Working stroke<br>-B(mm) | Spring force<br>(g) | Max. stroke<br>(mm) | Current<br>rating |
|--------------------|---------------------------|-------------------------|--------------------------|---------------------|---------------------|-------------------|
| YT604-11GG-SNN100F | 2.50                      | 1.70                    | 0.60                     | 100g                | 0.70                | 1A                |
| YT604-21GG-SNN100F | 2.70                      | 1.70                    | 0.60                     | 100g                | 0.70                | 1A                |
| YT605-11GG-SNN100F | 2.90                      | 2.00                    | 0.80                     | 100g                | 0.90                | 1A                |
| YT606-11GG-SNN100F | 3.10                      | 2.30                    | 0.80                     | 100g                | 0.90                | 1A                |
| YT606-21GG-SNN100F | 3.30                      | 2.30                    | 0.80                     | 100g                | 0.90                | 1A                |
| YT607-11GG-SNN100F | 3.50                      | 2.60                    | 0.80                     | 100g                | 1.00                | 1A                |
| YT607-21GG-SNN100F | 3.70                      | 2.60                    | 0.80                     | 100g                | 1.00                | 1A                |
| YT607-31GG-SNN100F | 4.00                      | 2.60                    | 0.80                     | 100g                | 1.00                | 1A                |
| YT608-11GG-SNN100F | 4.20                      | 3.00                    | 1.00                     | 120g                | 1.20                | 1A                |
| YT608-21GG-SNN100F | 4.40                      | 3.00                    | 1.00                     | 120g                | 1.20                | 1A                |
| YT680-11GG-SNN100F | 2.50                      | 1.70                    | 0.60                     | 30g                 | 0.70                | 1A                |
| YT680-21GG-SNN100F | 2.70                      | 1.70                    | 0.60                     | 30g                 | 0.70                | 1A                |
| YT681-11GG-SNN100F | 2.90                      | 2.00                    | 0.60                     | 30g                 | 0.80                | 1A                |
| YT682-11GG-SNN100F | 3.10                      | 2.30                    | 0.60                     | 30g                 | 0.80                | 1A                |
| YT682-21GG-SNN100F | 3.30                      | 2.30                    | 0.60                     | 30g                 | 0.80                | 1A                |
| YT683-11GG-SNN100F | 3.50                      | 2.60                    | 0.80                     | 30g                 | 1.00                | 1A                |
| YT683-21GG-SNN100F | 3.70                      | 2.60                    | 0.80                     | 30g                 | 1.00                | 1A                |
| YT683-31GG-SNN100F | 4.00                      | 2.60                    | 0.80                     | 30g                 | 1.00                | 1A                |
| YT684-11GG-SNN100F | 4.20                      | 3.00                    | 1.00                     | 30g                 | 1.40                | 1A                |
| YT684-21GG-SNN100F | 4.40                      | 3.00                    | 1.00                     | 30g                 | 1.40                | 1A                |
| YT685-11GG-SNN100F | 4.50                      | 3.30                    | 1.00                     | 30g                 | 1.50                | 1A                |
| YT685-21GG-SNN100F | 5.00                      | 3.30                    | 1.00                     | 30g                 | 1.50                | 1A                |
| YT686-11GG-SNN100F | 5.30                      | 3.60                    | 1.30                     | 30g                 | 1.80                | 1A                |
| YT686-21GG-SNN100F | 5.50                      | 3.60                    | 1.30                     | 30g                 | 1.80                | 1A                |

This product is only suitable for signal transmission

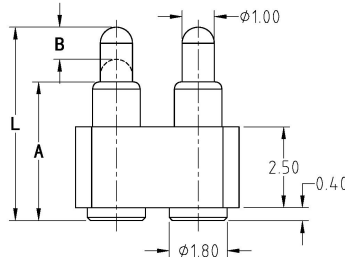
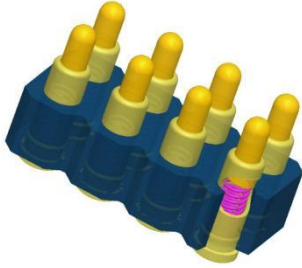
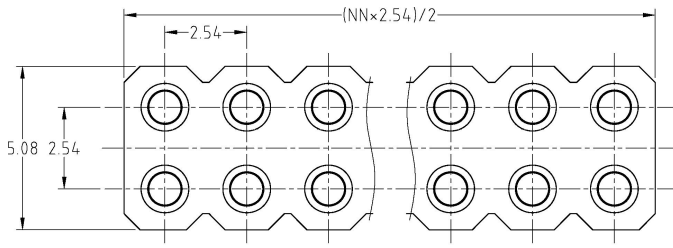
|  |   |
|--|---|
| <p>-Materials:<br/>                 .Plunger: BrassC6801 Gold over Nickel<br/>                 .Barrel &amp; Plug: BrassC6801 Gold over Nickel<br/>                 .Spring: SUS304 Gold over Nickel<br/>                 .Housing :Black HTN UL94 V-0<br/>                 -Dimensions: Millimeters<br/>                 -Tolerances on:<br/>                 .lengths: ±0.1    .Diameters: ±0.05</p> | <p>-Mechanical Specifications:<br/>                 .Durability: 10000~1000,000 cycles<br/>                 -Electrical Specifications:<br/>                 .Voltage rating : <b>DC12V</b><br/>                 .Contact resistance: 50 milli-ohm Max.<br/>                 -Environmental Specifications:<br/>                 -Operating teYTerature range: -40/+105°C (discontinuous)</p> |
|--|---|



# Pogo Pin Connector-Multi-pins

-2.54 Pitch Double Row

-SMT Pogo Pin Connector



| YTXXX - SS GG - X NN 100F          |  |   |
|------------------------------------|--|---|
| Housing<br>-X                      | Gold Plating Code-GG                                     |   |
| B -Double H2.50<br>Pitch 2.54      | G-Barrel<br>1-0.125um<br>2-0.25um<br>4-0.5um<br>5-0.75um | G-Plunger<br>1-0.125um<br>2-0.25um<br>4-0.5um<br>5-0.75um |
| Specify number of contacts: 04-128 |  |   |

| Part NO.           | Initial height<br>-L(mm) | Barrel length<br>-A(mm) | Working stroke<br>-B(mm) | Spring force<br>(g) | Max. stroke<br>(mm) | Current rating |
|--------------------|--------------------------|-------------------------|--------------------------|---------------------|---------------------|----------------|
| YT100-11GG-BNN100F | 4.50                     | 3.30                    | 1.00                     | 90g                 | 1.20                | 1A             |
| YT100-21GG-BNN100F | 5.00                     | 3.30                    | 1.00                     | 90g                 | 1.20                | 1A             |
| YT200-11GG-BNN100F | 5.50                     | 4.30                    | 1.00                     | 70g                 | 1.20                | 3A             |
| YT200-21GG-BNN100F | 6.00                     | 4.30                    | 1.00                     | 70g                 | 1.40                | 3A             |
| YT200-31GG-BNN100F | 6.50                     | 4.30                    | 1.00                     | 70g                 | 1.40                | 3A             |
| YT200-41GG-BNN100F | 7.00                     | 4.30                    | 1.00                     | 70g                 | 1.40                | 3A             |
| YT300-11GG-BNN100F | 6.50                     | 5.30                    | 1.00                     | 70g                 | 1.40                | 3A             |
| YT300-21GG-BNN100F | 7.00                     | 5.30                    | 1.00                     | 70g                 | 1.40                | 3A             |
| YT300-31GG-BNN100F | 7.50                     | 5.30                    | 1.00                     | 70g                 | 1.40                | 3A             |
| YT300-41GG-BNN100F | 8.00                     | 5.30                    | 1.00                     | 70g                 | 1.40                | 3A             |
| YT300-81GG-BNN100F | 9.90                     | 5.30                    | 1.00                     | 70g                 | 1.40                | 3A             |
| YT300-91GG-BNN100F | 10.40                    | 5.30                    | 1.00                     | 70g                 | 1.40                | 3A             |
| YT305-11GG-BNN100F | 6.50                     | 5.30                    | 1.00                     | 70g                 | 1.40                | 5A大电流          |
| YT305-21GG-BNN100F | 7.00                     | 5.30                    | 1.00                     | 70g                 | 1.40                | 5A大电流          |
| YT305-31GG-BNN100F | 7.50                     | 5.30                    | 1.00                     | 70g                 | 1.40                | 5A大电流          |
| YT305-41GG-BNN100F | 8.00                     | 5.30                    | 1.00                     | 70g                 | 1.40                | 5A大电流          |
| YT501-11GG-BNN100F | 9.00                     | 7.30                    | 1.00                     | 70g                 | 1.40                | 3A             |
| YT501-21GG-BNN100F | 10.00                    | 7.30                    | 1.00                     | 70g                 | 1.40                | 3A             |
| YT501-31GG-BNN100F | 11.00                    | 7.30                    | 1.00                     | 70g                 | 1.40                | 3A             |

Note: When the current rating is 1A, This product is only suitable for signal transmission

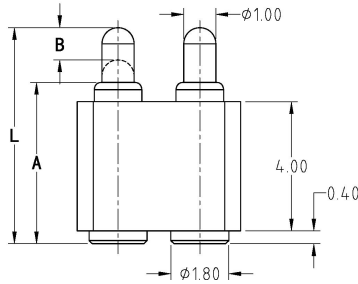
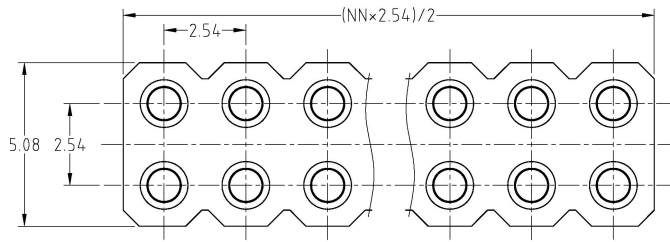
-Materials:  
 .Plunger: BrassC6801 Gold over Nickel  
 .Barrel & Plug: BrassC6801 Gold over Nickel  
 .Spring: SUS304 Gold over Nickel  
 .Housing :Black HTN UL94 V-0  
 -Dimensions: Millimeters  
 -Tolerances on:  
 .lengths:  $\pm 0.1$  .Diameters:  $\pm 0.05$

-Mechanical Specifications:  
 .Durability: 10000~1000,000 cycles  
 -Electrical Specifications:  
 .Voltage rating : DC12V  
 .Contact resistance: 50 milli-ohm Max.  
 -Environmental Specifications:  
 -Operating teYTerature range: -40/+105°C (discontinuous)

# Pogo Pin Connector-Multi-pins

-2.54 Pitch Double Row

-SMT Pogo Pin Connector



|                                      |  |  |
|--------------------------------------|--|--|
| <b>YTXXX - SS GG - X NN 100F</b>     |  |  |
| Housing<br><b>-X</b>                 | Gold Plating Code- <b>GG</b>                                     |  |
| <b>F</b> -Double H4.00<br>Pitch 2.54 | <b>G-Barrier</b><br>1-0.125um<br>2-0.25um<br>4-0.5um<br>5-0.75um | <b>G-Plunger</b><br>1-0.125um<br>2-0.25um<br>4-0.5um<br>5-0.75um |
| Specify number of contacts: 04-128   |  |  |

| Part NO.           | Initial height<br>-L(mm) | Barrel length<br>-A(mm) | Working stroke<br>-B(mm) | Spring force<br>(g) | Max. stroke<br>(mm) | Current rating |
|--------------------|--------------------------|-------------------------|--------------------------|---------------------|---------------------|----------------|
| YT200-11GG-FNN100F | 5.50                     | 4.30                    | 1.00                     | 70g                 | 1.20                | 3A             |
| YT200-21GG-FNN100F | 6.00                     | 4.30                    | 1.00                     | 70g                 | 1.40                | 3A             |
| YT200-31GG-FNN100F | 6.50                     | 4.30                    | 1.00                     | 70g                 | 1.40                | 3A             |
| YT200-41GG-FNN100F | 7.00                     | 4.30                    | 1.00                     | 70g                 | 1.40                | 3A             |
| YT300-11GG-FNN100F | 6.50                     | 5.30                    | 1.00                     | 70g                 | 1.40                | 3A             |
| YT300-21GG-FNN100F | 7.00                     | 5.30                    | 1.00                     | 70g                 | 1.40                | 3A             |
| YT300-31GG-FNN100F | 7.50                     | 5.30                    | 1.00                     | 70g                 | 1.40                | 3A             |
| YT300-41GG-FNN100F | 8.00                     | 5.30                    | 1.00                     | 70g                 | 1.40                | 3A             |
| YT300-81GG-FNN100F | 9.90                     | 5.30                    | 1.00                     | 70g                 | 1.40                | 3A             |
| YT300-91GG-FNN100F | 10.40                    | 5.30                    | 1.00                     | 70g                 | 1.40                | 3A             |
| YT305-11GG-FNN100F | 6.50                     | 5.30                    | 1.00                     | 70g                 | 1.40                | 5A大电流          |
| YT305-21GG-FNN100F | 7.00                     | 5.30                    | 1.00                     | 70g                 | 1.40                | 5A大电流          |
| YT305-31GG-FNN100F | 7.50                     | 5.30                    | 1.00                     | 70g                 | 1.40                | 5A大电流          |
| YT305-41GG-FNN100F | 8.00                     | 5.30                    | 1.00                     | 70g                 | 1.40                | 5A大电流          |
| YT501-11GG-FNN100F | 9.00                     | 7.30                    | 1.00                     | 70g                 | 1.40                | 3A             |
| YT501-21GG-FNN100F | 10.00                    | 7.30                    | 1.00                     | 70g                 | 1.40                | 3A             |
| YT501-31GG-FNN100F | 11.00                    | 7.30                    | 1.00                     | 70g                 | 1.40                | 3A             |
| YT502-11GG-FNN100F | 12.00                    | 10.30                   | 1.00                     | 70g                 | 1.40                | 3A             |
| YT502-21GG-FNN100F | 13.00                    | 10.30                   | 1.00                     | 70g                 | 1.40                | 3A             |
| YT502-31GG-FNN100F | 14.00                    | 10.30                   | 1.00                     | 70g                 | 1.40                | 3A             |
| YT503-11GG-FNN100F | 15.00                    | 12.30                   | 1.00                     | 70g                 | 1.40                | 3A             |

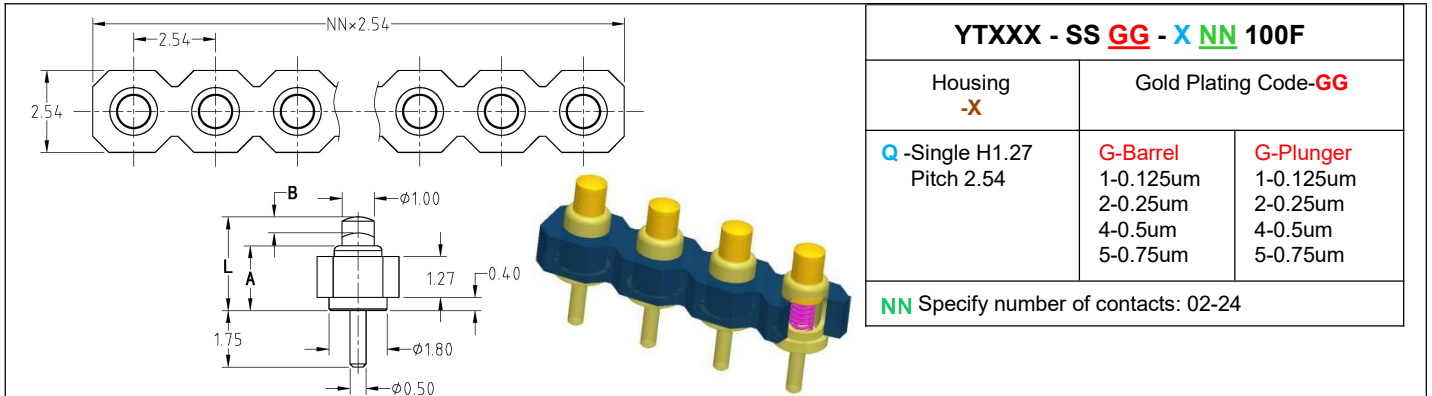
-Materials:  
 .Plunger: BrassC6801 Gold over Nickel  
 .Barrel & Plug: BrassC6801 Gold over Nickel  
 .Spring: SUS304 Gold over Nickel  
 .Housing :Black HTN UL94 V-0  
 -Dimensions: Millimeters  
 -Tolerances on:  
 .lengths: ±0.1    .Diameters: ±0.05

-Mechanical Specifications:  
 .Durability: 10000~1000,000 cycles  
 -Electrical Specifications:  
 .Voltage rating : **DC12V**  
 .Contact resistance: 50 milli-ohm Max.  
 -Environmental Specifications:  
 -Operating teYTerature range: -40/+105°C (discontinuous)

# Pogo Pin Connector-Multi-pins

-2.54 Pitch Single Row

-DIP Pogo Pin Connector



|   |   |  |
|---|---|--|
| <b>YTXXX - SS GG - X NN 100F</b>            |   |  |
| Housing<br><b>-X</b>                        | Gold Plating Code- <b>GG</b>                                    |  |
| <b>Q</b> -Single H1.27<br>Pitch 2.54        | <b>G-Barrel</b><br>1-0.125um<br>2-0.25um<br>4-0.5um<br>5-0.75um | <b>G-Plunger</b><br>1-0.125um<br>2-0.25um<br>4-0.5um<br>5-0.75um |
| <b>NN</b> Specify number of contacts: 02-24 |   |  |

| Part NO.           | Initial height -<br><b>L</b> (mm) | Barrel length<br><b>-A</b> (mm) | Working stroke<br><b>-B</b> (mm) | Spring force<br>(g) | Max. stroke<br>(mm) | Current<br>rating |
|--------------------|-----------------------------------|---------------------------------|----------------------------------|---------------------|---------------------|-------------------|
| YT614-11GG-QNN100F | 2.50                              | 1.70                            | 0.60                             | 100g                | 0.70                | 1A                |
| YT614-21GG-QNN100F | 2.70                              | 1.70                            | 0.60                             | 100g                | 0.70                | 1A                |
| YT615-11GG-QNN100F | 2.90                              | 2.00                            | 0.80                             | 100g                | 0.90                | 1A                |
| YT616-11GG-QNN100F | 3.10                              | 2.30                            | 0.80                             | 100g                | 0.90                | 1A                |
| YT616-21GG-QNN100F | 3.30                              | 2.30                            | 0.80                             | 100g                | 0.90                | 1A                |
| YT617-11GG-QNN100F | 3.50                              | 2.60                            | 0.80                             | 100g                | 1.00                | 1A                |
| YT617-21GG-QNN100F | 3.70                              | 2.60                            | 0.80                             | 100g                | 1.00                | 1A                |
| YT617-31GG-QNN100F | 4.00                              | 2.60                            | 0.80                             | 100g                | 1.00                | 1A                |
| YT618-11GG-QNN100F | 4.20                              | 3.00                            | 1.00                             | 120g                | 1.20                | 1A                |
| YT618-21GG-QNN100F | 4.40                              | 3.00                            | 1.00                             | 120g                | 1.20                | 1A                |
| YT690-11GG-QNN100F | 2.50                              | 1.70                            | 0.60                             | 30g                 | 0.70                | 1A                |
| YT690-21GG-QNN100F | 2.70                              | 1.70                            | 0.60                             | 30g                 | 0.70                | 1A                |
| YT691-11GG-QNN100F | 2.90                              | 2.00                            | 0.60                             | 30g                 | 0.80                | 1A                |
| YT692-11GG-QNN100F | 3.10                              | 2.30                            | 0.60                             | 30g                 | 0.80                | 1A                |
| YT692-21GG-QNN100F | 3.30                              | 2.30                            | 0.60                             | 30g                 | 0.80                | 1A                |
| YT693-11GG-QNN100F | 3.50                              | 2.60                            | 0.80                             | 30g                 | 1.00                | 1A                |
| YT693-21GG-QNN100F | 3.70                              | 2.60                            | 0.80                             | 30g                 | 1.00                | 1A                |
| YT693-31GG-QNN100F | 4.00                              | 2.60                            | 0.80                             | 30g                 | 1.00                | 1A                |
| YT694-11GG-QNN100F | 4.20                              | 3.00                            | 1.00                             | 30g                 | 1.40                | 1A                |
| YT694-21GG-QNN100F | 4.40                              | 3.00                            | 1.00                             | 30g                 | 1.40                | 1A                |
| YT695-11GG-QNN100F | 4.50                              | 3.30                            | 1.00                             | 30g                 | 1.50                | 1A                |
| YT695-21GG-QNN100F | 5.00                              | 3.30                            | 1.00                             | 30g                 | 1.50                | 1A                |
| YT696-11GG-QNN100F | 5.30                              | 3.60                            | 1.30                             | 30g                 | 1.80                | 1A                |
| YT696-21GG-QNN100F | 5.50                              | 3.60                            | 1.30                             | 30g                 | 1.80                | 1A                |

This product is only suitable for signal transmission

|  |   |
|--|---|
| <p>-Materials:<br/>                 .Plunger: BrassC6801 Gold over Nickel<br/>                 .Barrel &amp; Plug: BrassC6801 Gold over Nickel<br/>                 .Spring: SUS304 Gold over Nickel<br/>                 .Housing :Black HTN UL94 V-0<br/>                 -Dimensions: Millimeters<br/>                 -Tolerances on:<br/>                 .lengths: ±0.1    .Diameters: ±0.05</p> | <p>-Mechanical Specifications:<br/>                 .Durability: 10000~1000,000 cycles<br/>                 -Electrical Specifications:<br/>                 .Voltage rating : <b>DC12V</b><br/>                 .Contact resistance: 50 milli-ohm Max.<br/>                 -Environmental Specifications:<br/>                 -Operating teYTerature range: -40/+105°C (discontinuous)</p> |
|--|---|



# Pogo Pin Connector-Multi-pins

-2.54 Pitch Single Row

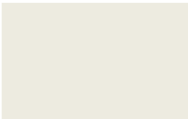
-DIP Pogo Pin Connector

|                                      |   |  |
|--------------------------------------|---|--|
| <b>YTXXX - SS GG - X NN 100F</b>     |   |  |
| Housing<br><b>-X</b>                 | Gold Plating Code- <b>GG</b>                                    |  |
| <b>A</b> -Single H2.50<br>Pitch 2.54 | <b>G-Barrel</b><br>1-0.125um<br>2-0.25um<br>4-0.5um<br>5-0.75um | <b>G-Plunger</b><br>1-0.125um<br>2-0.25um<br>4-0.5um<br>5-0.75um |
| Specify number of contacts: 02-64    |   |  |

| Part NO.           | Initial height<br>-L(mm) | Barrel length<br>-A(mm) | Working stroke<br>-B(mm) | Spring force<br>(g) | Max. stroke<br>(mm) | Current rating |
|--------------------|--------------------------|-------------------------|--------------------------|---------------------|---------------------|----------------|
| YT110-11GG-ANN100F | 4.50                     | 3.30                    | 1.00                     | 90g                 | 1.20                | 1A             |
| YT110-21GG-ANN100F | 5.00                     | 3.30                    | 1.00                     | 90g                 | 1.20                | 1A             |
| YT210-11GG-ANN100F | 5.50                     | 4.30                    | 1.00                     | 70g                 | 1.20                | 3A             |
| YT210-21GG-ANN100F | 6.00                     | 4.30                    | 1.00                     | 70g                 | 1.40                | 3A             |
| YT210-31GG-ANN100F | 6.50                     | 4.30                    | 1.00                     | 70g                 | 1.40                | 3A             |
| YT210-41GG-ANN100F | 7.00                     | 4.30                    | 1.00                     | 70g                 | 1.40                | 3A             |
| YT310-11GG-ANN100F | 6.50                     | 5.30                    | 1.00                     | 70g                 | 1.40                | 3A             |
| YT310-21GG-ANN100F | 7.00                     | 5.30                    | 1.00                     | 70g                 | 1.40                | 3A             |
| YT310-31GG-ANN100F | 7.50                     | 5.30                    | 1.00                     | 70g                 | 1.40                | 3A             |
| YT310-41GG-ANN100F | 8.00                     | 5.30                    | 1.00                     | 70g                 | 1.40                | 3A             |
| YT315-11GG-ANN100F | 6.50                     | 5.30                    | 1.00                     | 70g                 | 1.40                | 5A大电流          |
| YT315-21GG-ANN100F | 7.00                     | 5.30                    | 1.00                     | 70g                 | 1.40                | 5A大电流          |
| YT315-31GG-ANN100F | 7.50                     | 5.30                    | 1.00                     | 70g                 | 1.40                | 5A大电流          |
| YT315-41GG-ANN100F | 8.00                     | 5.30                    | 1.00                     | 70g                 | 1.40                | 5A大电流          |
| YT511-11GG-ANN100F | 9.00                     | 7.30                    | 1.00                     | 70g                 | 1.40                | 3A             |
| YT511-21GG-ANN100F | 10.00                    | 7.30                    | 1.00                     | 70g                 | 1.40                | 3A             |
| YT511-31GG-ANN100F | 11.00                    | 7.30                    | 1.00                     | 70g                 | 1.40                | 3A             |

Note: When the current rating is 1A, This product is only suitable for signal transmission

|  |   |
|--|---|
| <p>-Materials:<br/>                 .Plunger: BrassC6801 Gold over Nickel<br/>                 .Barrel &amp; Plug: BrassC6801 Gold over Nickel<br/>                 .Spring: SUS304 Gold over Nickel<br/>                 .Housing :Black HTN UL94 V-0<br/>                 -Dimensions: Millimeters<br/>                 -Tolerances on:<br/>                 .lengths: ±0.1    .Diameters: ±0.05</p> | <p>-Mechanical Specifications:<br/>                 .Durability: 10000~1000,000 cycles<br/>                 -Electrical Specifications:<br/>                 .Voltage rating : <b>DC12V</b><br/>                 .Contact resistance: 50 milli-ohm Max.<br/>                 -Environmental Specifications:<br/>                 -Operating teYTerature range: -40/+105°C (discontinuous)</p> |
|--|---|



# Pogo Pin Connector-Multi-pins

-2.54 Pitch Single Row

-DIP Pogo Pin Connector

|                                      |  |  |
|--------------------------------------|--|--|
| <b>YTXXX - SS GG - X NN 100F</b>     |  |  |
| Housing<br><b>-X</b>                 | Gold Plating Code- <b>GG</b>                                     |  |
| <b>E</b> -Single H4.00<br>Pitch 2.54 | <b>G-Barrier</b><br>1-0.125um<br>2-0.25um<br>4-0.5um<br>5-0.75um | <b>G-Plunger</b><br>1-0.125um<br>2-0.25um<br>4-0.5um<br>5-0.75um |
| Specify number of contacts: 02-64    |  |  |

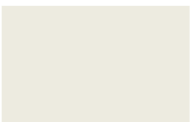
| Part NO.           | Initial height<br>-L(mm) | Barrel length<br>-A(mm) | Working stroke<br>-B(mm) | Spring force<br>(g) | Max. stroke<br>(mm) | Current rating |
|--------------------|--------------------------|-------------------------|--------------------------|---------------------|---------------------|----------------|
| YT210-11GG-ENN100F | 5.50                     | 4.30                    | 1.00                     | 70g                 | 1.20                | 3A             |
| YT210-21GG-ENN100F | 6.00                     | 4.30                    | 1.00                     | 70g                 | 1.40                | 3A             |
| YT210-31GG-ENN100F | 6.50                     | 4.30                    | 1.00                     | 70g                 | 1.40                | 3A             |
| YT210-41GG-ENN100F | 7.00                     | 4.30                    | 1.00                     | 70g                 | 1.40                | 3A             |
| YT310-11GG-ENN100F | 6.50                     | 5.30                    | 1.00                     | 70g                 | 1.40                | 3A             |
| YT310-21GG-ENN100F | 7.00                     | 5.30                    | 1.00                     | 70g                 | 1.40                | 3A             |
| YT310-31GG-ENN100F | 7.50                     | 5.30                    | 1.00                     | 70g                 | 1.40                | 3A             |
| YT310-41GG-ENN100F | 8.00                     | 5.30                    | 1.00                     | 70g                 | 1.40                | 3A             |
| YT315-11GG-ENN100F | 6.50                     | 5.30                    | 1.00                     | 70g                 | 1.40                | 5A大电流          |
| YT315-21GG-ENN100F | 7.00                     | 5.30                    | 1.00                     | 70g                 | 1.40                | 5A大电流          |
| YT315-31GG-ENN100F | 7.50                     | 5.30                    | 1.00                     | 70g                 | 1.40                | 5A大电流          |
| YT315-41GG-ENN100F | 8.00                     | 5.30                    | 1.00                     | 70g                 | 1.40                | 5A大电流          |
| YT511-11GG-ENN100F | 9.00                     | 7.30                    | 1.00                     | 70g                 | 1.40                | 3A             |
| YT511-21GG-ENN100F | 10.00                    | 7.30                    | 1.00                     | 70g                 | 1.40                | 3A             |
| YT511-31GG-ENN100F | 11.00                    | 7.30                    | 1.00                     | 70g                 | 1.40                | 3A             |
| YT512-11GG-ENN100F | 12.00                    | 10.30                   | 1.00                     | 70g                 | 1.40                | 3A             |
| YT512-21GG-ENN100F | 13.00                    | 10.30                   | 1.00                     | 70g                 | 1.40                | 3A             |
| YT512-31GG-ENN100F | 14.00                    | 10.30                   | 1.00                     | 70g                 | 1.40                | 3A             |
| YT513-11GG-ENN100F | 15.00                    | 12.30                   | 1.00                     | 70g                 | 1.40                | 3A             |

**-Materials:**

- .Plunger: BrassC6801 Gold over Nickel
- .Barrel & Plug: BrassC6801 Gold over Nickel
- .Spring: SUS304 Gold over Nickel
- .Housing :Black HTN UL94 V-0
- Dimensions: Millimeters
- Tolerances on:
- .lengths: ±0.1     .Diameters: ±0.05

**-Mechanical Specifications:**

- .Durability: 10000~1000,000 cycles
- Electrical Specifications:
- .Voltage rating : **DC12V**
- .Contact resistance: 50 milli-ohm Max.
- Environmental Specifications:
- Operating teYTerature range: -40/+105°C (discontinuous)



# Pogo Pin Connector-Multi-pins

-2.54 Pitch Double Row

-DIP Pogo Pin Connector

|   |  |   |
|---|--|---|
| <b>YTXXX - SS GG - X NN 100F</b>            |  |   |
| Housing<br><b>-X</b>                        | Gold Plating Code- <b>GG</b>                                     |   |
| <b>S</b> -Double H1.27<br>Pitch 2.54        | <b>G</b> -Barrel<br>1-0.125um<br>2-0.25um<br>4-0.5um<br>5-0.75um | <b>G</b> -Plunger<br>1-0.125um<br>2-0.25um<br>4-0.5um<br>5-0.75um |
| <b>NN</b> Specify number of contacts: 04-24 |  |   |

| Part NO.           | Initial height -<br>L(mm) | Barrel length<br>-A(mm) | Working stroke<br>-B(mm) | Spring force<br>(g) | Max. stroke<br>(mm) | Current<br>rating |
|--------------------|---------------------------|-------------------------|--------------------------|---------------------|---------------------|-------------------|
| YT614-11GG-SNN100F | 2.50                      | 1.70                    | 0.60                     | 100g                | 0.70                | 1A                |
| YT614-21GG-SNN100F | 2.70                      | 1.70                    | 0.60                     | 100g                | 0.70                | 1A                |
| YT615-11GG-SNN100F | 2.90                      | 2.00                    | 0.80                     | 100g                | 0.90                | 1A                |
| YT616-11GG-SNN100F | 3.10                      | 2.30                    | 0.80                     | 100g                | 0.90                | 1A                |
| YT616-21GG-SNN100F | 3.30                      | 2.30                    | 0.80                     | 100g                | 0.90                | 1A                |
| YT617-11GG-SNN100F | 3.50                      | 2.60                    | 0.80                     | 100g                | 1.00                | 1A                |
| YT617-21GG-SNN100F | 3.70                      | 2.60                    | 0.80                     | 100g                | 1.00                | 1A                |
| YT617-31GG-SNN100F | 4.00                      | 2.60                    | 0.80                     | 100g                | 1.00                | 1A                |
| YT618-11GG-SNN100F | 4.20                      | 3.00                    | 1.00                     | 120g                | 1.20                | 1A                |
| YT618-21GG-SNN100F | 4.40                      | 3.00                    | 1.00                     | 120g                | 1.20                | 1A                |
| YT690-11GG-SNN100F | 2.50                      | 1.70                    | 0.60                     | 30g                 | 0.70                | 1A                |
| YT690-21GG-SNN100F | 2.70                      | 1.70                    | 0.60                     | 30g                 | 0.70                | 1A                |
| YT691-11GG-SNN100F | 2.90                      | 2.00                    | 0.60                     | 30g                 | 0.80                | 1A                |
| YT692-11GG-SNN100F | 3.10                      | 2.30                    | 0.60                     | 30g                 | 0.80                | 1A                |
| YT692-21GG-SNN100F | 3.30                      | 2.30                    | 0.60                     | 30g                 | 0.80                | 1A                |
| YT693-11GG-SNN100F | 3.50                      | 2.60                    | 0.80                     | 30g                 | 1.00                | 1A                |
| YT693-21GG-SNN100F | 3.70                      | 2.60                    | 0.80                     | 30g                 | 1.00                | 1A                |
| YT693-31GG-SNN100F | 4.00                      | 2.60                    | 0.80                     | 30g                 | 1.00                | 1A                |
| YT694-11GG-SNN100F | 4.20                      | 3.00                    | 1.00                     | 30g                 | 1.40                | 1A                |
| YT694-21GG-SNN100F | 4.40                      | 3.00                    | 1.00                     | 30g                 | 1.40                | 1A                |
| YT695-11GG-SNN100F | 4.50                      | 3.30                    | 1.00                     | 30g                 | 1.50                | 1A                |
| YT695-21GG-SNN100F | 5.00                      | 3.30                    | 1.00                     | 30g                 | 1.50                | 1A                |
| YT696-11GG-SNN100F | 5.30                      | 3.60                    | 1.30                     | 30g                 | 1.80                | 1A                |
| YT696-21GG-SNN100F | 5.50                      | 3.60                    | 1.30                     | 30g                 | 1.80                | 1A                |

This product is only suitable for signal transmission

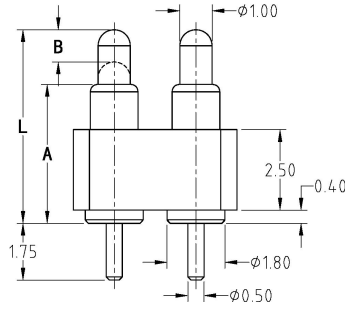
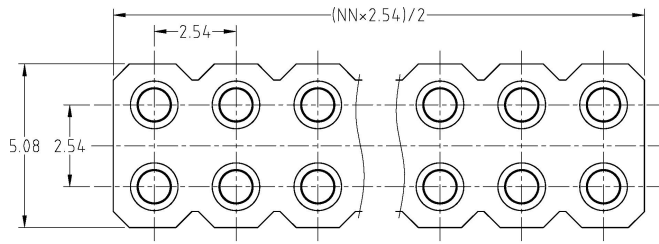
|  |  |
|--|--|
| <p><b>-Materials:</b><br/>                 .Plunger: BrassC6801 Gold over Nickel<br/>                 .Barrel &amp; Plug: BrassC6801 Gold over Nickel<br/>                 .Spring: SUS304 Gold over Nickel<br/>                 .Housing :Black HTN UL94 V-0<br/>                 -Dimensions : Millimeters<br/>                 -Tolerances on :<br/>                 .lengths: ±0.1 .Diameters: ±0.05</p> | <p><b>-Mechanical Specifications:</b><br/>                 .Durability: 10000~1000,000 cycles<br/> <b>-Electrical Specifications:</b><br/>                 .Voltage rating : <b>DC12V</b><br/>                 .Contact resistance: 50 milli-ohm Max.<br/> <b>-Environmental Specifications:</b><br/>                 -Operating teYterature range: -40/+105°C (discontinuous)</p> |
|--|--|

**RoHS**  
2011/65/EU

# Pogo Pin Connector-Multi-pins

-2.54 Pitch Double Row

-DIP Pogo Pin Connector



| YTXXX - SS <b>GG</b> - X <b>NN</b> 100F      |  |   |
|--|--|---|
| Housing<br><b>-X</b>                         | Gold Plating Code- <b>GG</b>   |   |
| <b>B</b> -Double H2.50<br>Pitch 2.54         | <b>G</b> -Barrel<br>1-<br>0.125um<br>2-0.25um<br>4-0.5um<br>5-0.75um | <b>G</b> -Plunger<br>1-0.125um<br>2-0.25um<br>4-0.5um<br>5-0.75um |
| <b>NN</b> Specify number of contacts: 04-128 |  |   |

| Part NO.           | Initial height<br>-L(mm) | Barrel length<br>-A(mm) | Working stroke<br>-B(mm) | Spring force<br>(g) | Max. stroke<br>(mm) | Current rating |
|--------------------|--------------------------|-------------------------|--------------------------|---------------------|---------------------|----------------|
| YT110-11GG-BNN100F | 4.50                     | 3.30                    | 1.00                     | 90g                 | 1.20                | 1A             |
| YT110-21GG-BNN100F | 5.00                     | 3.30                    | 1.00                     | 90g                 | 1.20                | 1A             |
| YT210-11GG-BNN100F | 5.50                     | 4.30                    | 1.00                     | 70g                 | 1.20                | 3A             |
| YT210-21GG-BNN100F | 6.00                     | 4.30                    | 1.00                     | 70g                 | 1.40                | 3A             |
| YT210-31GG-BNN100F | 6.50                     | 4.30                    | 1.00                     | 70g                 | 1.40                | 3A             |
| YT210-41GG-BNN100F | 7.00                     | 4.30                    | 1.00                     | 70g                 | 1.40                | 3A             |
| YT310-11GG-BNN100F | 6.50                     | 5.30                    | 1.00                     | 70g                 | 1.40                | 3A             |
| YT310-21GG-BNN100F | 7.00                     | 5.30                    | 1.00                     | 70g                 | 1.40                | 3A             |
| YT310-31GG-BNN100F | 7.50                     | 5.30                    | 1.00                     | 70g                 | 1.40                | 3A             |
| YT310-41GG-BNN100F | 8.00                     | 5.30                    | 1.00                     | 70g                 | 1.40                | 3A             |
| YT315-11GG-BNN100F | 6.50                     | 5.30                    | 1.00                     | 70g                 | 1.40                | 5A大电流          |
| YT315-21GG-BNN100F | 7.00                     | 5.30                    | 1.00                     | 70g                 | 1.40                | 5A大电流          |
| YT315-31GG-BNN100F | 7.50                     | 5.30                    | 1.00                     | 70g                 | 1.40                | 5A大电流          |
| YT315-41GG-BNN100F | 8.00                     | 5.30                    | 1.00                     | 70g                 | 1.40                | 5A大电流          |
| YT511-11GG-BNN100F | 9.00                     | 7.30                    | 1.00                     | 70g                 | 1.40                | 3A             |
| YT511-21GG-BNN100F | 10.00                    | 7.30                    | 1.00                     | 70g                 | 1.40                | 3A             |
| YT511-31GG-BNN100F | 11.00                    | 7.30                    | 1.00                     | 70g                 | 1.40                | 3A             |

Note: When the current rating is 1A, This product is only suitable for signal transmission

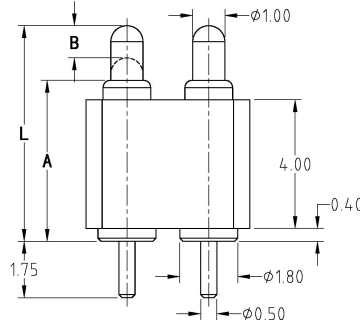
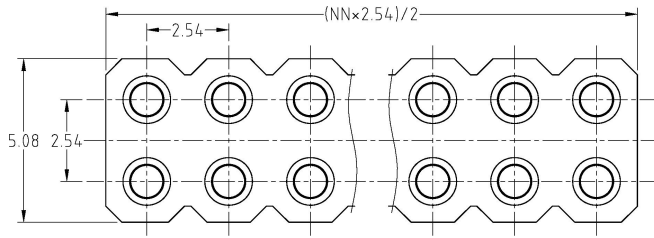
-Materials:  
 .Plunger: BrassC6801 Gold over Nickel  
 .Barrel & Plug: BrassC6801 Gold over Nickel  
 .Spring: SUS304 Gold over Nickel  
 .Housing :Black HTN UL94 V-0  
 -Dimensions: Millimeters  
 -Tolerances on:  
 .lengths:  $\pm 0.1$  .Diameters:  $\pm 0.05$

-Mechanical Specifications:  
 .Durability: 10000~1000,000 cycles  
 -Electrical Specifications:  
 .Voltage rating : **DC12V**  
 .Contact resistance: 50 milli-ohm Max.  
 -Environmental Specifications:  
 -Operating teYTemperature range: -40/+105°C (discontinuous)

# Pogo Pin Connector-Multi-pins

-2.54 Pitch Double Row

-DIP Pogo Pin Connector



| YTXXX - SS <b>GG</b> - X <b>NN</b> 100F      |  |   |
|--|--|---|
| Housing<br><b>-X</b>                         | Gold Plating Code- <b>GG</b>                                     |   |
| <b>F</b> -Double H4.00<br>Pitch 2.54         | <b>G</b> -Barrel<br>1-0.125um<br>2-0.25um<br>4-0.5um<br>5-0.75um | <b>G</b> -Plunger<br>1-0.125um<br>2-0.25um<br>4-0.5um<br>5-0.75um |
| <b>NN</b> Specify number of contacts: 04-128 |  |   |

| Part NO.           | Initial height<br>-L(mm) | Barrel length<br>-A(mm) | Working stroke<br>-B(mm) | Spring force<br>(g) | Max. stroke<br>(mm) | Current rating |
|--------------------|--------------------------|-------------------------|--------------------------|---------------------|---------------------|----------------|
| YT210-11GG-FNN100F | 5.50                     | 4.30                    | 1.00                     | 70g                 | 1.20                | 3A             |
| YT210-21GG-FNN100F | 6.00                     | 4.30                    | 1.00                     | 70g                 | 1.40                | 3A             |
| YT210-31GG-FNN100F | 6.50                     | 4.30                    | 1.00                     | 70g                 | 1.40                | 3A             |
| YT210-41GG-FNN100F | 7.00                     | 4.30                    | 1.00                     | 70g                 | 1.40                | 3A             |
| YT310-11GG-FNN100F | 6.50                     | 5.30                    | 1.00                     | 70g                 | 1.40                | 3A             |
| YT310-21GG-FNN100F | 7.00                     | 5.30                    | 1.00                     | 70g                 | 1.40                | 3A             |
| YT310-31GG-FNN100F | 7.50                     | 5.30                    | 1.00                     | 70g                 | 1.40                | 3A             |
| YT310-41GG-FNN100F | 8.00                     | 5.30                    | 1.00                     | 70g                 | 1.40                | 3A             |
| YT315-11GG-FNN100F | 6.50                     | 5.30                    | 1.00                     | 70g                 | 1.40                | 5A大电流          |
| YT315-21GG-FNN100F | 7.00                     | 5.30                    | 1.00                     | 70g                 | 1.40                | 5A大电流          |
| YT315-31GG-FNN100F | 7.50                     | 5.30                    | 1.00                     | 70g                 | 1.40                | 5A大电流          |
| YT315-41GG-FNN100F | 8.00                     | 5.30                    | 1.00                     | 70g                 | 1.40                | 5A大电流          |
| YT511-11GG-FNN100F | 9.00                     | 7.30                    | 1.00                     | 70g                 | 1.40                | 3A             |
| YT511-21GG-FNN100F | 10.00                    | 7.30                    | 1.00                     | 70g                 | 1.40                | 3A             |
| YT511-31GG-FNN100F | 11.00                    | 7.30                    | 1.00                     | 70g                 | 1.40                | 3A             |
| YT512-11GG-FNN100F | 12.00                    | 10.30                   | 1.00                     | 70g                 | 1.40                | 3A             |
| YT512-21GG-FNN100F | 13.00                    | 10.30                   | 1.00                     | 70g                 | 1.40                | 3A             |
| YT512-31GG-FNN100F | 14.00                    | 10.30                   | 1.00                     | 70g                 | 1.40                | 3A             |
| YT513-11GG-FNN100F | 15.00                    | 12.30                   | 1.00                     | 70g                 | 1.40                | 3A             |

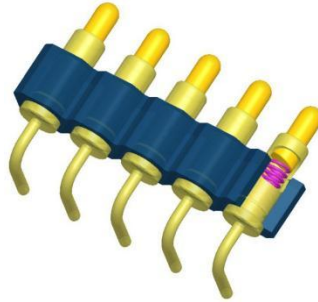
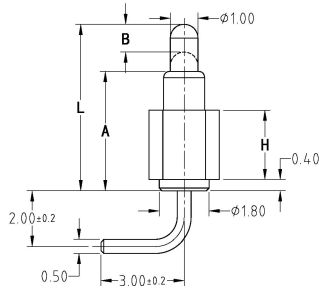
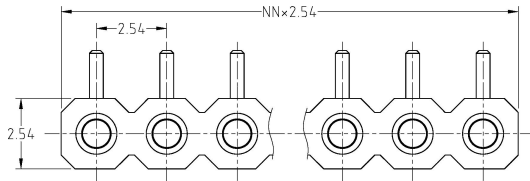
-Materials:  
 .Plunger: BrassC6801 Gold over Nickel  
 .Barrel & Plug: BrassC6801 Gold over Nickel  
 .Spring: SUS304 Gold over Nickel  
 .Housing :Black HTN UL94 V-0  
 -Dimensions: Millimeters  
 -Tolerances on:  
 .lengths: ±0.1 .Diameters: ±0.05

-Mechanical Specifications:  
 .Durability: 10000~1000,000 cycles  
 -Electrical Specifications:  
 .Voltage rating : **DC12V**  
 .Contact resistance: 50 milli-ohm Max.  
 -Environmental Specifications:  
 -Operating teYTemperature range: -40/+105°C (discontinuous)

# Pogo Pin Connector-Multi-pins

-2.54 Pitch Single Row

-Bend Pogo Pin Connector



| YTXXX - SS GG - X NN 100F            |                                   |                                    |
|--------------------------------------|-----------------------------------|------------------------------------|
| Housing<br>-X                        | Gold Plating Code-GG              |                                    |
| A -Single H2.50<br>Pitch 2.54        | G-Barrel<br>1-0.125um<br>2-0.25um | G-Plunger<br>1-0.125um<br>2-0.25um |
| E -Single H4.00<br>Pitch 2.54        | 4-0.5um<br>5-0.75um               | 4-0.5um<br>5-0.75um                |
| NN Specify number of contacts: 02-64 |                                   |                                    |

| Part NO.           | Initial height<br>-L(mm) | Barrel length<br>-A(mm) | Housing<br>-H(mm) | Working stroke<br>-B(mm) | Spring force<br>(g) | Max. stroke<br>(mm) | Current<br>rating |
|--------------------|--------------------------|-------------------------|-------------------|--------------------------|---------------------|---------------------|-------------------|
| YT220-11GG-ANN100F | 5.50                     | 4.30                    | 2.50              | 1.00                     | 70g                 | 1.40                | 3A                |
| YT220-21GG-ANN100F | 6.00                     | 4.30                    | 2.50              | 1.00                     | 70g                 | 1.40                | 3A                |
| YT220-31GG-ANN100F | 6.50                     | 4.30                    | 2.50              | 1.00                     | 70g                 | 1.40                | 3A                |
| YT220-41GG-ANN100F | 7.00                     | 4.30                    | 2.50              | 1.00                     | 70g                 | 1.40                | 3A                |
| YT320-11GG-ANN100F | 6.50                     | 5.30                    | 2.50              | 1.00                     | 70g                 | 1.40                | 3A                |
| YT320-21GG-ANN100F | 7.00                     | 5.30                    | 2.50              | 1.00                     | 70g                 | 1.40                | 3A                |
| YT320-31GG-ANN100F | 7.50                     | 5.30                    | 2.50              | 1.00                     | 70g                 | 1.40                | 3A                |
| YT320-41GG-ANN100F | 8.00                     | 5.30                    | 2.50              | 1.00                     | 70g                 | 1.40                | 3A                |
| YT325-11GG-ANN100F | 6.50                     | 5.30                    | 2.50              | 1.00                     | 70g                 | 1.40                | 5A大电流             |
| YT325-21GG-ANN100F | 7.00                     | 5.30                    | 2.50              | 1.00                     | 70g                 | 1.40                | 5A大电流             |
| YT325-31GG-ANN100F | 7.50                     | 5.30                    | 2.50              | 1.00                     | 70g                 | 1.40                | 5A大电流             |
| YT325-41GG-ANN100F | 8.00                     | 5.30                    | 2.50              | 1.00                     | 70g                 | 1.40                | 5A大电流             |
| YT220-11GG-ENN100F | 5.50                     | 4.30                    | 4.00              | 1.00                     | 70g                 | 1.40                | 3A                |
| YT220-21GG-ENN100F | 6.00                     | 4.30                    | 4.00              | 1.00                     | 70g                 | 1.40                | 3A                |
| YT220-31GG-ENN100F | 6.50                     | 4.30                    | 4.00              | 1.00                     | 70g                 | 1.40                | 3A                |
| YT220-41GG-ENN100F | 7.00                     | 4.30                    | 4.00              | 1.00                     | 70g                 | 1.40                | 3A                |
| YT320-11GG-ENN100F | 6.50                     | 5.30                    | 4.00              | 1.00                     | 70g                 | 1.40                | 3A                |
| YT320-21GG-ENN100F | 7.00                     | 5.30                    | 4.00              | 1.00                     | 70g                 | 1.40                | 3A                |
| YT320-31GG-ENN100F | 7.50                     | 5.30                    | 4.00              | 1.00                     | 70g                 | 1.40                | 3A                |
| YT320-41GG-ENN100F | 8.00                     | 5.30                    | 4.00              | 1.00                     | 70g                 | 1.40                | 3A                |
| YT325-11GG-ENN100F | 6.50                     | 5.30                    | 4.00              | 1.00                     | 70g                 | 1.40                | 5A大电流             |
| YT325-21GG-ENN100F | 7.00                     | 5.30                    | 4.00              | 1.00                     | 70g                 | 1.40                | 5A大电流             |
| YT325-31GG-ENN100F | 7.50                     | 5.30                    | 4.00              | 1.00                     | 70g                 | 1.40                | 5A大电流             |
| YT325-41GG-ENN100F | 8.00                     | 5.30                    | 4.00              | 1.00                     | 70g                 | 1.40                | 5A大电流             |

-Materials:  
 .Plunger: BrassC6801 Gold over Nickel  
 .Barrel & Plug: BrassC6801 Gold over Nickel  
 .Spring: SUS304 Gold over Nickel  
 .Housing :Black HTN UL94 V-0  
 -Dimensions: Millimeters  
 -Tolerances on:  
 .lengths: ±0.1 .Diameters: ±0.05

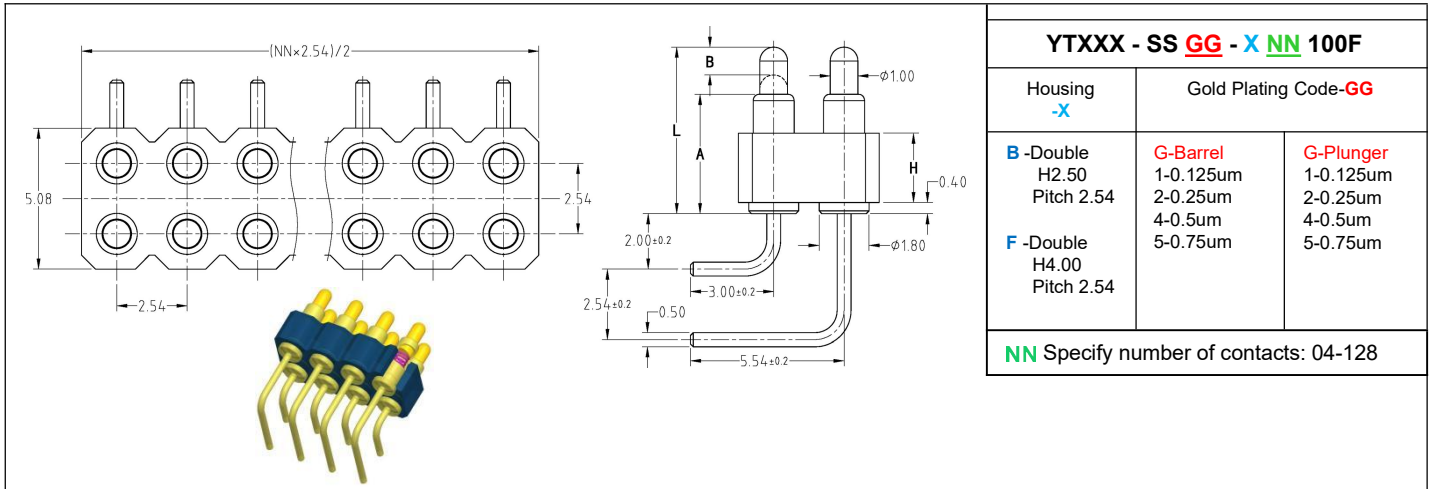
-Mechanical Specifications:  
 .Durability: 10000~1000,000 cycles  
 -Electrical Specifications:  
 .Voltage rating : DC12V  
 .Contact resistance: 50 milli-ohm Max.  
 -Environmental Specifications:  
 -Operating teYTerature range: -40/+105°C (discontinuous)

**RoHS**  
2011/65/EU

# Pogo Pin Connector-Multi-pins

-2.54 Pitch Double Row

-Bend Pogo Pin Connector



|  |  |   |
|--|--|---|
| <b>YTXXX - SS GG - X NN 100F</b>             |  |   |
| Housing<br>-X                                | Gold Plating Code- <b>GG</b>                                     |   |
| <b>B</b> -Double<br>H2.50<br>Pitch 2.54      | <b>G</b> -Barrel<br>1-0.125um<br>2-0.25um<br>4-0.5um<br>5-0.75um | <b>G</b> -Plunger<br>1-0.125um<br>2-0.25um<br>4-0.5um<br>5-0.75um |
| <b>F</b> -Double<br>H4.00<br>Pitch 2.54      |  |   |
| <b>NN</b> Specify number of contacts: 04-128 |  |   |

| Part NO.           | Initial height<br>-L(mm) | Barrel length<br>-A(mm) | Housing<br>-H(mm) | Working stroke<br>-B(mm) | Spring force<br>(g) | Max. stroke<br>(mm) | Current<br>rating |
|--------------------|--------------------------|-------------------------|-------------------|--------------------------|---------------------|---------------------|-------------------|
| YT220-11GG-BNN100F | 5.50                     | 4.30                    | 2.50              | 1.00                     | 70g                 | 1.40                | 3A                |
| YT220-21GG-BNN100F | 6.00                     | 4.30                    | 2.50              | 1.00                     | 70g                 | 1.40                | 3A                |
| YT220-31GG-BNN100F | 6.50                     | 4.30                    | 2.50              | 1.00                     | 70g                 | 1.40                | 3A                |
| YT220-41GG-BNN100F | 7.00                     | 4.30                    | 2.50              | 1.00                     | 70g                 | 1.40                | 3A                |
| YT320-11GG-BNN100F | 6.50                     | 5.30                    | 2.50              | 1.00                     | 70g                 | 1.40                | 3A                |
| YT320-21GG-BNN100F | 7.00                     | 5.30                    | 2.50              | 1.00                     | 70g                 | 1.40                | 3A                |
| YT320-31GG-BNN100F | 7.50                     | 5.30                    | 2.50              | 1.00                     | 70g                 | 1.40                | 3A                |
| YT320-41GG-BNN100F | 8.00                     | 5.30                    | 2.50              | 1.00                     | 70g                 | 1.40                | 3A                |
| YT325-11GG-BNN100F | 6.50                     | 5.30                    | 2.50              | 1.00                     | 70g                 | 1.40                | 5A大电流             |
| YT325-21GG-BNN100F | 7.00                     | 5.30                    | 2.50              | 1.00                     | 70g                 | 1.40                | 5A大电流             |
| YT325-31GG-BNN100F | 7.50                     | 5.30                    | 2.50              | 1.00                     | 70g                 | 1.40                | 5A大电流             |
| YT325-41GG-BNN100F | 8.00                     | 5.30                    | 2.50              | 1.00                     | 70g                 | 1.40                | 5A大电流             |
| YT220-11GG-FNN100F | 5.50                     | 4.30                    | 4.00              | 1.00                     | 70g                 | 1.40                | 3A                |
| YT220-21GG-FNN100F | 6.00                     | 4.30                    | 4.00              | 1.00                     | 70g                 | 1.40                | 3A                |
| YT220-31GG-FNN100F | 6.50                     | 4.30                    | 4.00              | 1.00                     | 70g                 | 1.40                | 3A                |
| YT220-41GG-FNN100F | 7.00                     | 4.30                    | 4.00              | 1.00                     | 70g                 | 1.40                | 3A                |
| YT320-11GG-FNN100F | 6.50                     | 5.30                    | 4.00              | 1.00                     | 70g                 | 1.40                | 3A                |
| YT320-21GG-FNN100F | 7.00                     | 5.30                    | 4.00              | 1.00                     | 70g                 | 1.40                | 3A                |
| YT320-31GG-FNN100F | 7.50                     | 5.30                    | 4.00              | 1.00                     | 70g                 | 1.40                | 3A                |
| YT320-41GG-FNN100F | 8.00                     | 5.30                    | 4.00              | 1.00                     | 70g                 | 1.40                | 3A                |
| YT325-11GG-FNN100F | 6.50                     | 5.30                    | 4.00              | 1.00                     | 70g                 | 1.40                | 5A大电流             |
| YT325-21GG-FNN100F | 7.00                     | 5.30                    | 4.00              | 1.00                     | 70g                 | 1.40                | 5A大电流             |
| YT325-31GG-FNN100F | 7.50                     | 5.30                    | 4.00              | 1.00                     | 70g                 | 1.40                | 5A大电流             |
| YT325-41GG-FNN100F | 8.00                     | 5.30                    | 4.00              | 1.00                     | 70g                 | 1.40                | 5A大电流             |

-Materials:  
 .Plunger: BrassC6801 Gold over Nickel  
 .Barrel & Plug: BrassC6801 Gold over Nickel  
 .Spring: SUS304 Gold over Nickel  
 .Housing :Black HTN UL94 V-0  
 -Dimensions: Millimeters  
 -Tolerances on:  
 .lengths: ±0.1 .Diameters: ±0.05

-Mechanical Specifications:  
 .Durability: 10000~1000,000 cycles  
 -Electrical Specifications:  
 .Voltage rating : DC12V  
 .Contact resistance: 50 milli-ohm Max.  
 -Environmental Specifications:  
 -Operating teYTerature range: -40/+105℃ (discontinuous)

**RoHS**  
 2011/65/EU  
 42 页

## Pogo Pin Connector-Multi-pins

-2.54 Pitch Single Row

-Solder Pogo Pin Connector

| YTXXX - SS <b>GG</b> - X <b>NN</b> 100F     |  |   |
|---|--|---|
| Housing<br><b>-X</b>                        | Gold Plating Code- <b>GG</b>             |   |
| <b>A</b> -Single H2.50<br>Pitch 2.54        | <b>G-Barrel</b><br>1-0.125um<br>2-0.25um | <b>G-Plunger</b><br>1-0.125um<br>2-0.25um |
| <b>E</b> -Single H4.00<br>Pitch 2.54        | 4-0.5um<br>5-0.75um                      | 4-0.5um<br>5-0.75um                       |
| <b>NN</b> Specify number of contacts: 02-64 |  |   |

| Part NO.           | Initial height<br>-L(mm) | Barrel length<br>-A(mm) | Housing<br>-H(mm) | Working stroke<br>-B(mm) | Spring force<br>(g) | Max. stroke<br>(mm) | Current<br>rating |
|--------------------|--------------------------|-------------------------|-------------------|--------------------------|---------------------|---------------------|-------------------|
| YT230-11GG-ANN100F | 5.50                     | 4.30                    | 2.50              | 1.00                     | 70g                 | 1.40                | 3A                |
| YT230-21GG-ANN100F | 6.00                     | 4.30                    | 2.50              | 1.00                     | 70g                 | 1.40                | 3A                |
| YT330-11GG-ANN100F | 6.50                     | 5.30                    | 2.50              | 1.00                     | 70g                 | 1.40                | 3A                |
| YT330-21GG-ANN100F | 7.00                     | 5.30                    | 2.50              | 1.00                     | 70g                 | 1.40                | 3A                |
| YT330-31GG-ANN100F | 7.50                     | 5.30                    | 2.50              | 1.00                     | 70g                 | 1.40                | 3A                |
| YT330-41GG-ANN100F | 8.00                     | 5.30                    | 2.50              | 1.00                     | 70g                 | 1.40                | 3A                |
| YT335-11GG-ANN100F | 6.50                     | 5.30                    | 2.50              | 1.00                     | 70g                 | 1.40                | 5A大电流             |
| YT335-21GG-ANN100F | 7.00                     | 5.30                    | 2.50              | 1.00                     | 70g                 | 1.40                | 5A大电流             |
| YT335-31GG-ANN100F | 7.50                     | 5.30                    | 2.50              | 1.00                     | 70g                 | 1.40                | 5A大电流             |
| YT335-41GG-ANN100F | 8.00                     | 5.30                    | 2.50              | 1.00                     | 70g                 | 1.40                | 5A大电流             |
| YT230-11GG-ENN100F | 5.50                     | 4.30                    | 4.00              | 1.00                     | 70g                 | 1.40                | 3A                |
| YT230-21GG-ENN100F | 6.00                     | 4.30                    | 4.00              | 1.00                     | 70g                 | 1.40                | 3A                |
| YT330-11GG-ENN100F | 6.50                     | 5.30                    | 4.00              | 1.00                     | 70g                 | 1.40                | 3A                |
| YT330-21GG-ENN100F | 7.00                     | 5.30                    | 4.00              | 1.00                     | 70g                 | 1.40                | 3A                |
| YT330-31GG-ENN100F | 7.50                     | 5.30                    | 4.00              | 1.00                     | 70g                 | 1.40                | 3A                |
| YT330-41GG-ENN100F | 8.00                     | 5.30                    | 4.00              | 1.00                     | 70g                 | 1.40                | 3A                |
| YT335-11GG-ENN100F | 6.50                     | 5.30                    | 4.00              | 1.00                     | 70g                 | 1.40                | 5A大电流             |
| YT335-21GG-ENN100F | 7.00                     | 5.30                    | 4.00              | 1.00                     | 70g                 | 1.40                | 5A大电流             |
| YT335-31GG-ENN100F | 7.50                     | 5.30                    | 4.00              | 1.00                     | 70g                 | 1.40                | 5A大电流             |
| YT335-41GG-ENN100F | 8.00                     | 5.30                    | 4.00              | 1.00                     | 70g                 | 1.40                | 5A大电流             |

-Materials:  
 .Plunger: BrassC6801 Gold over Nickel  
 .Barrel & Plug: BrassC6801 Gold over Nickel  
 .Spring: SUS304 Gold over Nickel  
 .Housing :Black HTN UL94 V-0  
 -Dimensions: Millimeters  
 -Tolerances on:  
 .lengths: ±0.1 .Diameters: ±0.05

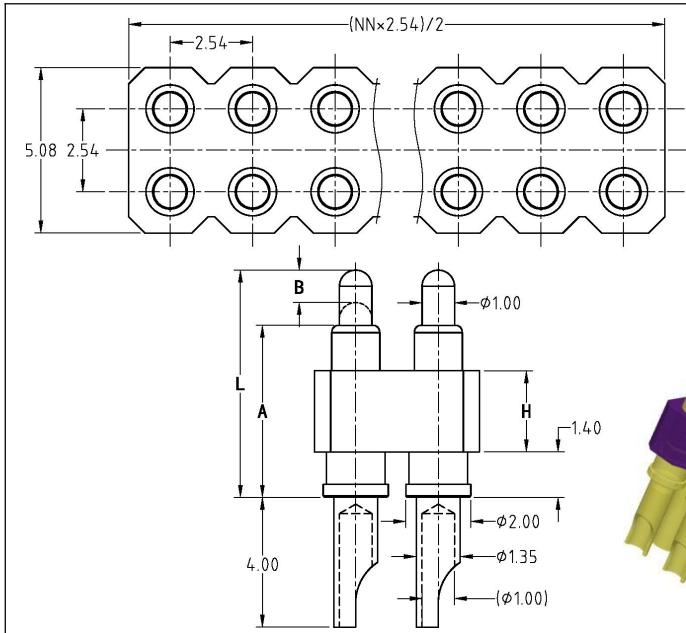
-Mechanical Specifications:  
 .Durability: 10000~1000,000 cycles  
 -Electrical Specifications:  
 .Voltage rating : **DC12V**  
 .Contact resistance: 50 milli-ohm Max.  
 -Environmental Specifications:  
 -Operating teYTerature range: -40/+105℃ (discontinuous)

**RoHS**  
2011/65/EU

# Pogo Pin Connector-Multi-pins

-2.54 Pitch Double Row

-Solder Pogo Pin Connector



| YTXXX - SS <b>GG</b> - X <b>NN</b> 100F      |   |   |
|--|---|---|
| Housing<br><b>-X</b>                         | Gold Plating Code- <b>GG</b>              |   |
| <b>B</b> -Double H2.50<br>Pitch 2.54         | <b>G-Barrier</b><br>1-0.125um<br>2-0.25um | <b>G-Plunger</b><br>1-0.125um<br>2-0.25um |
| <b>F</b> -Double H4.00<br>Pitch 2.54         | 4-0.5um<br>5-0.75um                       | 4-0.5um<br>5-0.75um                       |
| <b>NN</b> Specify number of contacts: 04-128 |   |   |

| Part NO.           | Initial height<br>-L(mm) | Barrel length<br>-A(mm) | Housing<br>-H(mm) | Working stroke<br>-B(mm) | Spring force<br>(g) | Max. stroke<br>(mm) | Current<br>rating |
|--------------------|--------------------------|-------------------------|-------------------|--------------------------|---------------------|---------------------|-------------------|
| YT230-11GG-BNN100F | 5.50                     | 4.30                    | 2.50              | 1.00                     | 70g                 | 1.40                | 3A                |
| YT230-21GG-BNN100F | 6.00                     | 4.30                    | 2.50              | 1.00                     | 70g                 | 1.40                | 3A                |
| YT330-11GG-BNN100F | 6.50                     | 5.30                    | 2.50              | 1.00                     | 70g                 | 1.40                | 3A                |
| YT330-21GG-BNN100F | 7.00                     | 5.30                    | 2.50              | 1.00                     | 70g                 | 1.40                | 3A                |
| YT330-31GG-BNN100F | 7.50                     | 5.30                    | 2.50              | 1.00                     | 70g                 | 1.40                | 3A                |
| YT330-41GG-BNN100F | 8.00                     | 5.30                    | 2.50              | 1.00                     | 70g                 | 1.40                | 3A                |
| YT335-11GG-BNN100F | 6.50                     | 5.30                    | 2.50              | 1.00                     | 70g                 | 1.40                | 5A大电流             |
| YT335-21GG-BNN100F | 7.00                     | 5.30                    | 2.50              | 1.00                     | 70g                 | 1.40                | 5A大电流             |
| YT335-31GG-BNN100F | 7.50                     | 5.30                    | 2.50              | 1.00                     | 70g                 | 1.40                | 5A大电流             |
| YT335-41GG-BNN100F | 8.00                     | 5.30                    | 2.50              | 1.00                     | 70g                 | 1.40                | 5A大电流             |
| YT230-11GG-FNN100F | 5.50                     | 4.30                    | 4.00              | 1.00                     | 70g                 | 1.40                | 3A                |
| YT230-21GG-FNN100F | 6.00                     | 4.30                    | 4.00              | 1.00                     | 70g                 | 1.40                | 3A                |
| YT330-11GG-FNN100F | 6.50                     | 5.30                    | 4.00              | 1.00                     | 70g                 | 1.40                | 3A                |
| YT330-21GG-FNN100F | 7.00                     | 5.30                    | 4.00              | 1.00                     | 70g                 | 1.40                | 3A                |
| YT330-31GG-FNN100F | 7.50                     | 5.30                    | 4.00              | 1.00                     | 70g                 | 1.40                | 3A                |
| YT330-41GG-FNN100F | 8.00                     | 5.30                    | 4.00              | 1.00                     | 70g                 | 1.40                | 3A                |
| YT335-11GG-FNN100F | 6.50                     | 5.30                    | 4.00              | 1.00                     | 70g                 | 1.40                | 5A大电流             |
| YT335-21GG-FNN100F | 7.00                     | 5.30                    | 4.00              | 1.00                     | 70g                 | 1.40                | 5A大电流             |
| YT335-31GG-FNN100F | 7.50                     | 5.30                    | 4.00              | 1.00                     | 70g                 | 1.40                | 5A大电流             |
| YT335-41GG-FNN100F | 8.00                     | 5.30                    | 4.00              | 1.00                     | 70g                 | 1.40                | 5A大电流             |

-Materials:  
 .Plunger: BrassC6801 Gold over Nickel  
 .Barrel & Plug: BrassC6801 Gold over Nickel  
 .Spring: SUS304 Gold over Nickel  
 .Housing :Black HTN UL94 V-0  
 -Dimensions: Millimeters  
 -Tolerances on:  
 .lengths: ±0.1 .Diameters: ±0.05

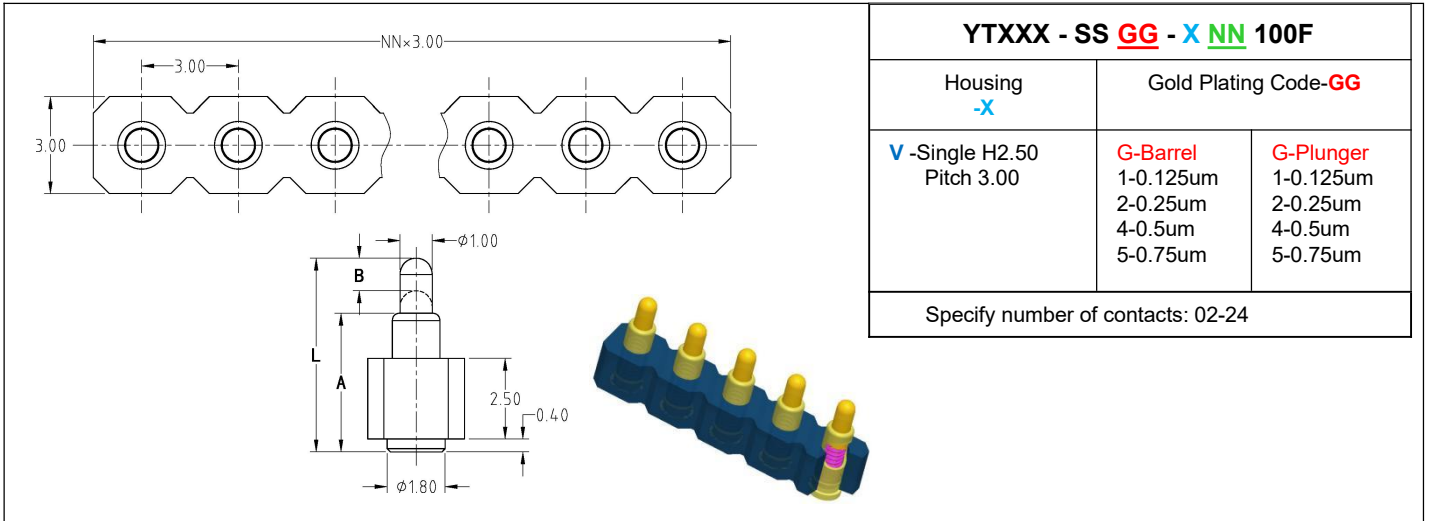
-Mechanical Specifications:  
 .Durability: 10000~1000,000 cycles  
 -Electrical Specifications:  
 .Voltage rating : **DC12V**  
 .Contact resistance: 50 milli-ohm Max.  
 -Environmental Specifications:  
 -Operating teYTerature range: -40/+105°C (discontinuous)

**RoHS**  
2011/65/EU

# Pogo Pin Connector-Multi-pins

-3.00 Pitch Single Row

-SMT Pogo Pin Connector

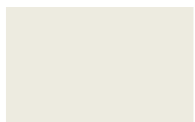


|                                      |  |  |
|--------------------------------------|--|--|
| <b>YTXXX - SS GG - X NN 100F</b>     |  |  |
| Housing<br><b>-X</b>                 | Gold Plating Code- <b>GG</b>                                     |  |
| <b>V</b> -Single H2.50<br>Pitch 3.00 | <b>G-Barrier</b><br>1-0.125um<br>2-0.25um<br>4-0.5um<br>5-0.75um | <b>G-Plunger</b><br>1-0.125um<br>2-0.25um<br>4-0.5um<br>5-0.75um |
| Specify number of contacts: 02-24    |  |  |

| Part NO.           | Initial height<br>-L(mm) | Barrel length<br>-A(mm) | Working stroke<br>-B(mm) | Spring force<br>(g) | Max. stroke<br>(mm) | Current rating |
|--------------------|--------------------------|-------------------------|--------------------------|---------------------|---------------------|----------------|
| YT100-11GG-VNN100F | 4.50                     | 3.30                    | 1.00                     | 90g                 | 1.20                | 1A             |
| YT100-21GG-VNN100F | 5.00                     | 3.30                    | 1.00                     | 90g                 | 1.20                | 1A             |
| YT200-11GG-VNN100F | 5.50                     | 4.30                    | 1.00                     | 70g                 | 1.20                | 3A             |
| YT200-21GG-VNN100F | 6.00                     | 4.30                    | 1.00                     | 70g                 | 1.40                | 3A             |
| YT200-31GG-VNN100F | 6.50                     | 4.30                    | 1.00                     | 70g                 | 1.40                | 3A             |
| YT200-41GG-VNN100F | 7.00                     | 4.30                    | 1.00                     | 70g                 | 1.40                | 3A             |
| YT300-11GG-VNN100F | 6.50                     | 5.30                    | 1.00                     | 70g                 | 1.40                | 3A             |
| YT300-21GG-VNN100F | 7.00                     | 5.30                    | 1.00                     | 70g                 | 1.40                | 3A             |
| YT300-31GG-VNN100F | 7.50                     | 5.30                    | 1.00                     | 70g                 | 1.40                | 3A             |
| YT300-41GG-VNN100F | 8.00                     | 5.30                    | 1.00                     | 70g                 | 1.40                | 3A             |
| YT300-81GG-VNN100F | 9.90                     | 5.30                    | 1.00                     | 70g                 | 1.40                | 3A             |
| YT300-91GG-VNN100F | 10.40                    | 5.30                    | 1.00                     | 70g                 | 1.40                | 3A             |
| YT305-11GG-VNN100F | 6.50                     | 5.30                    | 1.00                     | 70g                 | 1.40                | 5A大电流          |
| YT305-21GG-VNN100F | 7.00                     | 5.30                    | 1.00                     | 70g                 | 1.40                | 5A大电流          |
| YT305-31GG-VNN100F | 7.50                     | 5.30                    | 1.00                     | 70g                 | 1.40                | 5A大电流          |
| YT305-41GG-VNN100F | 8.00                     | 5.30                    | 1.00                     | 70g                 | 1.40                | 5A大电流          |
| YT501-11GG-VNN100F | 9.00                     | 7.30                    | 1.00                     | 70g                 | 1.40                | 3A             |
| YT501-21GG-VNN100F | 10.00                    | 7.30                    | 1.00                     | 70g                 | 1.40                | 3A             |
| YT501-31GG-VNN100F | 11.00                    | 7.30                    | 1.00                     | 70g                 | 1.40                | 3A             |

Note: When the current rating is 1A, This product is only suitable for signal transmission

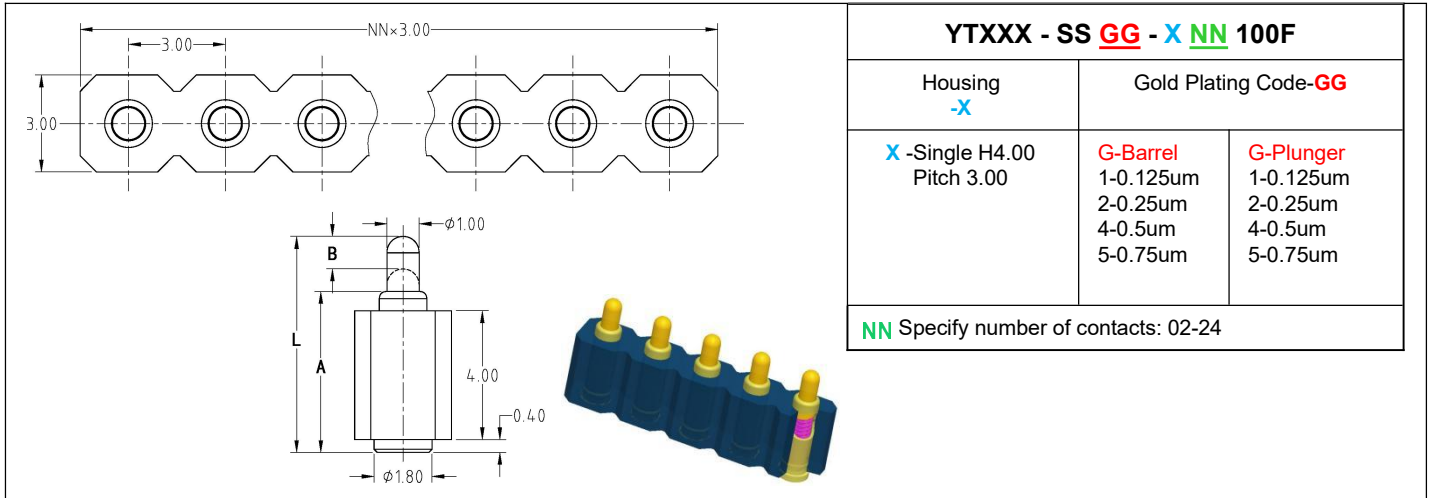
|   |  |
|---|--|
| <p>-Materials:<br/>                 .Plunger: BrassC6801 Gold over Nickel<br/>                 .Barrel &amp; Plug: BrassC6801 Gold over Nickel<br/>                 .Spring: SUS304 Gold over Nickel<br/>                 .Housing :Black HTN UL94 V-0<br/>                 -Dimensions: Millimeters<br/>                 -Tolerances on:<br/>                 .lengths: ±0.1     .Diameters: ±0.05</p> | <p>-Mechanical Specifications:<br/>                 .Durability: 10000~1000,000 cycles<br/>                 -Electrical Specifications:<br/>                 .Voltage rating : <b>DC12V</b><br/>                 .Contact resistance: 50 milli-ohm Max.<br/>                 -Environmental Specifications:<br/>                 -Operating teYTerature range: -40/+105℃ (discontinuous)</p> |
|---|--|



# Pogo Pin Connector-Multi-pins

-3.00 Pitch Single Row

-SMT Pogo Pin Connector



| YTXXX - SS GG - X NN 100F            |  |   |
|--------------------------------------|--|---|
| Housing<br>-X                        | Gold Plating Code-GG                                     |   |
| X -Single H4.00<br>Pitch 3.00        | G-Barrel<br>1-0.125um<br>2-0.25um<br>4-0.5um<br>5-0.75um | G-Plunger<br>1-0.125um<br>2-0.25um<br>4-0.5um<br>5-0.75um |
| NN Specify number of contacts: 02-24 |  |   |

| Part NO.           | Initial height<br>-L(mm) | Barrel length<br>-A(mm) | Working stroke<br>-B(mm) | Spring force<br>(g) | Max. stroke<br>(mm) | Current rating |
|--------------------|--------------------------|-------------------------|--------------------------|---------------------|---------------------|----------------|
| YT200-11GG-XNN100F | 5.50                     | 4.30                    | 1.00                     | 70g                 | 1.20                | 3A             |
| YT200-21GG-XNN100F | 6.00                     | 4.30                    | 1.00                     | 70g                 | 1.40                | 3A             |
| YT200-31GG-XNN100F | 6.50                     | 4.30                    | 1.00                     | 70g                 | 1.40                | 3A             |
| YT200-41GG-XNN100F | 7.00                     | 4.30                    | 1.00                     | 70g                 | 1.40                | 3A             |
| YT300-11GG-XNN100F | 6.50                     | 5.30                    | 1.00                     | 70g                 | 1.40                | 3A             |
| YT300-21GG-XNN100F | 7.00                     | 5.30                    | 1.00                     | 70g                 | 1.40                | 3A             |
| YT300-31GG-XNN100F | 7.50                     | 5.30                    | 1.00                     | 70g                 | 1.40                | 3A             |
| YT300-41GG-XNN100F | 8.00                     | 5.30                    | 1.00                     | 70g                 | 1.40                | 3A             |
| YT300-81GG-XNN100F | 9.90                     | 5.30                    | 1.00                     | 70g                 | 1.40                | 3A             |
| YT300-91GG-XNN100F | 10.40                    | 5.30                    | 1.00                     | 70g                 | 1.40                | 3A             |
| YT305-11GG-XNN100F | 6.50                     | 5.30                    | 1.00                     | 70g                 | 1.40                | 5A大电流          |
| YT305-21GG-XNN100F | 7.00                     | 5.30                    | 1.00                     | 70g                 | 1.40                | 5A大电流          |
| YT305-31GG-XNN100F | 7.50                     | 5.30                    | 1.00                     | 70g                 | 1.40                | 5A大电流          |
| YT305-41GG-XNN100F | 8.00                     | 5.30                    | 1.00                     | 70g                 | 1.40                | 5A大电流          |
| YT501-11GG-XNN100F | 9.00                     | 7.30                    | 1.00                     | 70g                 | 1.40                | 3A             |
| YT501-21GG-XNN100F | 10.00                    | 7.30                    | 1.00                     | 70g                 | 1.40                | 3A             |
| YT501-31GG-XNN100F | 11.00                    | 7.30                    | 1.00                     | 70g                 | 1.40                | 3A             |
| YT502-11GG-XNN100F | 12.00                    | 10.30                   | 1.00                     | 70g                 | 1.40                | 3A             |
| YT502-21GG-XNN100F | 13.00                    | 10.30                   | 1.00                     | 70g                 | 1.40                | 3A             |
| YT502-31GG-XNN100F | 14.00                    | 10.30                   | 1.00                     | 70g                 | 1.40                | 3A             |
| YT503-11GG-XNN100F | 15.00                    | 12.30                   | 1.00                     | 70g                 | 1.40                | 3A             |

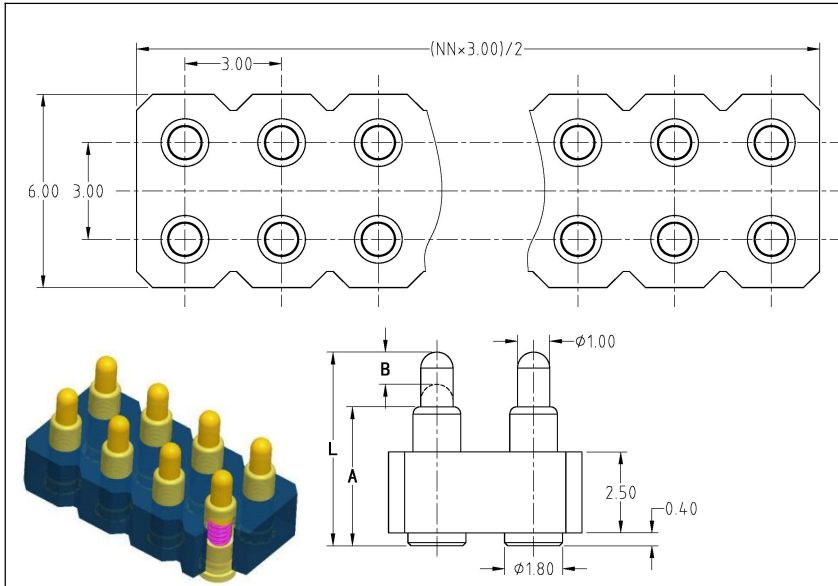
|   |   |
|---|---|
| <p>-Materials:<br/>                 .Plunger: BrassC6801 Gold over Nickel<br/>                 .Barrel &amp; Plug: BrassC6801 Gold over Nickel<br/>                 .Spring: SUS304 Gold over Nickel<br/>                 .Housing :Black HTN UL94 V-0<br/>                 -Dimensions: Millimeters<br/>                 -Tolerances on:<br/>                 .lengths: ±0.1     .Diameters: ±0.05</p> | <p>-Mechanical Specifications:<br/>                 .Durability: 10000~1000,000 cycles<br/>                 -Electrical Specifications:<br/>                 .Voltage rating : DC12V<br/>                 .Contact resistance: 50 milli-ohm Max.<br/>                 -Environmental Specifications:<br/>                 -Operating teYTerature range: -40/+105℃ (discontinuous)</p> |
|---|---|



# Pogo Pin Connector-Multi-pins

-3.00 Pitch Double Row

-SMT Pogo Pin Connector

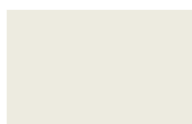


|   |  |  |
|---|--|--|
| <b>YTXXX - SS GG - X NN 100F</b>            |  |  |
| Housing<br><b>-X</b>                        | Gold Plating Code- <b>GG</b>                                     |  |
| <b>W</b> -Double H2.50<br>Pitch 3.00        | <b>G-Barrier</b><br>1-0.125um<br>2-0.25um<br>4-0.5um<br>5-0.75um | <b>G-Plunger</b><br>1-0.125um<br>2-0.25um<br>4-0.5um<br>5-0.75um |
| <b>NN</b> Specify number of contacts: 04-48 |  |  |

| Part NO.           | Initial height<br>-L(mm) | Barrel length<br>-A(mm) | Working stroke<br>-B(mm) | Spring force<br>(g) | Max. stroke<br>(mm) | Current rating |
|--------------------|--------------------------|-------------------------|--------------------------|---------------------|---------------------|----------------|
| YT100-11GG-WNN100F | 4.50                     | 3.30                    | 1.00                     | 90g                 | 1.20                | 1A             |
| YT100-21GG-WNN100F | 5.00                     | 3.30                    | 1.00                     | 90g                 | 1.20                | 1A             |
| YT200-11GG-WNN100F | 5.50                     | 4.30                    | 1.00                     | 70g                 | 1.20                | 3A             |
| YT200-21GG-WNN100F | 6.00                     | 4.30                    | 1.00                     | 70g                 | 1.40                | 3A             |
| YT200-31GG-WNN100F | 6.50                     | 4.30                    | 1.00                     | 70g                 | 1.40                | 3A             |
| YT200-41GG-WNN100F | 7.00                     | 4.30                    | 1.00                     | 70g                 | 1.40                | 3A             |
| YT300-11GG-WNN100F | 6.50                     | 5.30                    | 1.00                     | 70g                 | 1.40                | 3A             |
| YT300-21GG-WNN100F | 7.00                     | 5.30                    | 1.00                     | 70g                 | 1.40                | 3A             |
| YT300-31GG-WNN100F | 7.50                     | 5.30                    | 1.00                     | 70g                 | 1.40                | 3A             |
| YT300-41GG-WNN100F | 8.00                     | 5.30                    | 1.00                     | 70g                 | 1.40                | 3A             |
| YT300-81GG-WNN100F | 9.90                     | 5.30                    | 1.00                     | 70g                 | 1.40                | 3A             |
| YT300-91GG-WNN100F | 10.40                    | 5.30                    | 1.00                     | 70g                 | 1.40                | 3A             |
| YT305-11GG-WNN100F | 6.50                     | 5.30                    | 1.00                     | 70g                 | 1.40                | 5A大电流          |
| YT305-21GG-WNN100F | 7.00                     | 5.30                    | 1.00                     | 70g                 | 1.40                | 5A大电流          |
| YT305-31GG-WNN100F | 7.50                     | 5.30                    | 1.00                     | 70g                 | 1.40                | 5A大电流          |
| YT305-41GG-WNN100F | 8.00                     | 5.30                    | 1.00                     | 70g                 | 1.40                | 5A大电流          |
| YT501-11GG-WNN100F | 9.00                     | 7.30                    | 1.00                     | 70g                 | 1.40                | 3A             |
| YT501-21GG-WNN100F | 10.00                    | 7.30                    | 1.00                     | 70g                 | 1.40                | 3A             |
| YT501-31GG-WNN100F | 11.00                    | 7.30                    | 1.00                     | 70g                 | 1.40                | 3A             |

Note: When the current rating is 1A, This product is only suitable for signal transmission

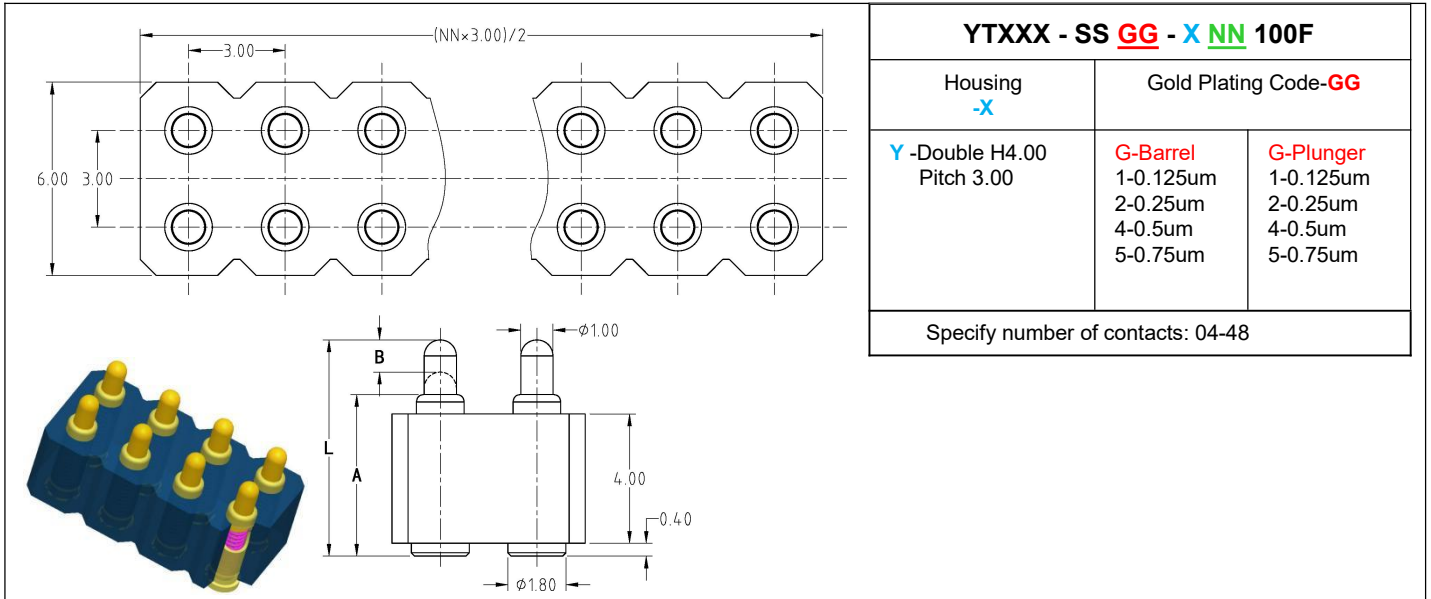
|   |   |
|---|---|
| <p>-Materials:<br/>                 .Plunger: BrassC6801 Gold over Nickel<br/>                 .Barrel &amp; Plug: BrassC6801 Gold over Nickel<br/>                 .Spring: SUS304 Gold over Nickel<br/>                 .Housing :Black HTN UL94 V-0<br/>                 -Dimensions: Millimeters<br/>                 -Tolerances on:<br/>                 .lengths: ±0.1     .Diameters: ±0.05</p> | <p>-Mechanical Specifications:<br/>                 .Durability: 10000~1000,000 cycles<br/>                 -Electrical Specifications:<br/>                 .Voltage rating : <b>DC12V</b><br/>                 .Contact resistance: 50 milli-ohm Max.<br/>                 -Environmental Specifications:<br/>                 -Operating teYTemperature range: -40/+105℃ (discontinuous)</p> |
|---|---|



# Pogo Pin Connector-Multi-pins

-3.00 Pitch Double Row

-SMT Pogo Pin Connector

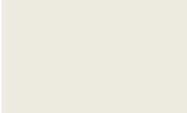


| YTXXX - SS <b>GG</b> - X <b>NN</b> 100F |  |   |
|---|--|---|
| Housing<br><b>-X</b>                    | Gold Plating Code- <b>GG</b>                                     |   |
| <b>Y</b> -Double H4.00<br>Pitch 3.00    | <b>G</b> -Barrel<br>1-0.125um<br>2-0.25um<br>4-0.5um<br>5-0.75um | <b>G</b> -Plunger<br>1-0.125um<br>2-0.25um<br>4-0.5um<br>5-0.75um |
| Specify number of contacts: 04-48       |  |   |

| Part NO.           | Initial height<br><b>-L</b> (mm) | Barrel length<br><b>-A</b> (mm) | Working stroke<br><b>-B</b> (mm) | Spring force<br>(g) | Max. stroke<br>(mm) | Current rating |
|--------------------|----------------------------------|---------------------------------|----------------------------------|---------------------|---------------------|----------------|
| YT200-11GG-YNN100F | 5.50                             | 4.30                            | 1.00                             | 70g                 | 1.20                | 3A             |
| YT200-21GG-YNN100F | 6.00                             | 4.30                            | 1.00                             | 70g                 | 1.40                | 3A             |
| YT200-31GG-YNN100F | 6.50                             | 4.30                            | 1.00                             | 70g                 | 1.40                | 3A             |
| YT200-41GG-YNN100F | 7.00                             | 4.30                            | 1.00                             | 70g                 | 1.40                | 3A             |
| YT300-11GG-YNN100F | 6.50                             | 5.30                            | 1.00                             | 70g                 | 1.40                | 3A             |
| YT300-21GG-YNN100F | 7.00                             | 5.30                            | 1.00                             | 70g                 | 1.40                | 3A             |
| YT300-31GG-YNN100F | 7.50                             | 5.30                            | 1.00                             | 70g                 | 1.40                | 3A             |
| YT300-41GG-YNN100F | 8.00                             | 5.30                            | 1.00                             | 70g                 | 1.40                | 3A             |
| YT300-81GG-YNN100F | 9.90                             | 5.30                            | 1.00                             | 70g                 | 1.40                | 3A             |
| YT300-91GG-YNN100F | 10.40                            | 5.30                            | 1.00                             | 70g                 | 1.40                | 3A             |
| YT305-11GG-YNN100F | 6.50                             | 5.30                            | 1.00                             | 70g                 | 1.40                | 5A大电流          |
| YT305-21GG-YNN100F | 7.00                             | 5.30                            | 1.00                             | 70g                 | 1.40                | 5A大电流          |
| YT305-31GG-YNN100F | 7.50                             | 5.30                            | 1.00                             | 70g                 | 1.40                | 5A大电流          |
| YT305-41GG-YNN100F | 8.00                             | 5.30                            | 1.00                             | 70g                 | 1.40                | 5A大电流          |
| YT501-11GG-YNN100F | 9.00                             | 7.30                            | 1.00                             | 70g                 | 1.40                | 3A             |
| YT501-21GG-YNN100F | 10.00                            | 7.30                            | 1.00                             | 70g                 | 1.40                | 3A             |
| YT501-31GG-YNN100F | 11.00                            | 7.30                            | 1.00                             | 70g                 | 1.40                | 3A             |
| YT502-11GG-YNN100F | 12.00                            | 10.30                           | 1.00                             | 70g                 | 1.40                | 3A             |
| YT502-21GG-YNN100F | 13.00                            | 10.30                           | 1.00                             | 70g                 | 1.40                | 3A             |
| YT502-31GG-YNN100F | 14.00                            | 10.30                           | 1.00                             | 70g                 | 1.40                | 3A             |
| YT503-11GG-YNN100F | 15.00                            | 12.30                           | 1.00                             | 70g                 | 1.40                | 3A             |

-Materials:  
 .Plunger: BrassC6801 Gold over Nickel  
 .Barrel & Plug: BrassC6801 Gold over Nickel  
 .Spring: SUS304 Gold over Nickel  
 .Housing :Black HTN UL94 V-0  
 -Dimensions: Millimeters  
 -Tolerances on:  
 .lengths: ±0.1     .Diameters: ±0.05

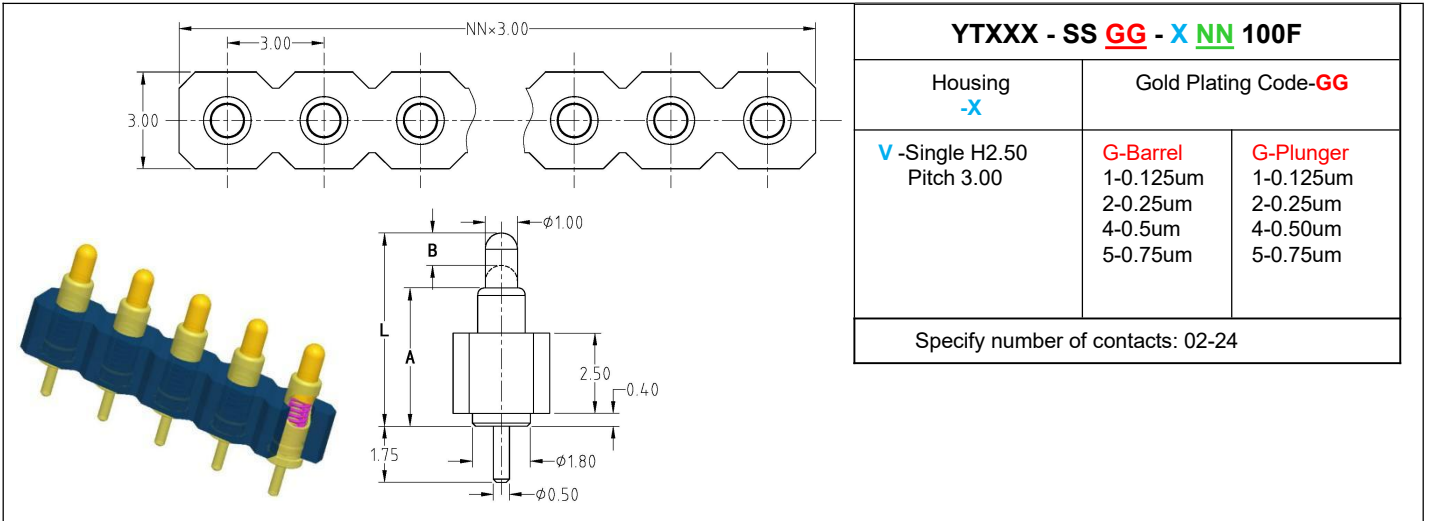
-Mechanical Specifications:  
 .Durability: 10000~1000,000 cycles  
 -Electrical Specifications:  
 .Voltage rating : **DC12V**  
 .Contact resistance: 50 milli-ohm Max.  
 -Environmental Specifications:  
 -Operating teYTerature range: -40/+105℃ (discontinuous)



# Pogo Pin Connector-Multi-pins

-3.00 Pitch Single Row

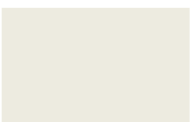
-DIP Pogo Pin Connector



| Part NO.           | Initial height<br>-L(mm) | Barrel length<br>-A(mm) | Working stroke<br>-B(mm) | Spring force<br>(g) | Max. stroke<br>(mm) | Current rating |
|--------------------|--------------------------|-------------------------|--------------------------|---------------------|---------------------|----------------|
| YT110-11GG-VNN100F | 4.50                     | 3.30                    | 1.00                     | 90g                 | 1.20                | 1A             |
| YT110-21GG-VNN100F | 5.00                     | 3.30                    | 1.00                     | 90g                 | 1.20                | 1A             |
| YT210-11GG-VNN100F | 5.50                     | 4.30                    | 1.00                     | 70g                 | 1.20                | 3A             |
| YT210-21GG-VNN100F | 6.00                     | 4.30                    | 1.00                     | 70g                 | 1.40                | 3A             |
| YT210-31GG-VNN100F | 6.50                     | 4.30                    | 1.00                     | 70g                 | 1.40                | 3A             |
| YT210-41GG-VNN100F | 7.00                     | 4.30                    | 1.00                     | 70g                 | 1.40                | 3A             |
| YT310-11GG-VNN100F | 6.50                     | 5.30                    | 1.00                     | 70g                 | 1.40                | 3A             |
| YT310-21GG-VNN100F | 7.00                     | 5.30                    | 1.00                     | 70g                 | 1.40                | 3A             |
| YT310-31GG-VNN100F | 7.50                     | 5.30                    | 1.00                     | 70g                 | 1.40                | 3A             |
| YT310-41GG-VNN100F | 8.00                     | 5.30                    | 1.00                     | 70g                 | 1.40                | 3A             |
| YT315-11GG-VNN100F | 6.50                     | 5.30                    | 1.00                     | 70g                 | 1.40                | 5A大电流          |
| YT315-21GG-VNN100F | 7.00                     | 5.30                    | 1.00                     | 70g                 | 1.40                | 5A大电流          |
| YT315-31GG-VNN100F | 7.50                     | 5.30                    | 1.00                     | 70g                 | 1.40                | 5A大电流          |
| YT315-41GG-VNN100F | 8.00                     | 5.30                    | 1.00                     | 70g                 | 1.40                | 5A大电流          |
| YT511-11GG-VNN100F | 9.00                     | 7.30                    | 1.00                     | 70g                 | 1.40                | 3A             |
| YT511-21GG-VNN100F | 10.00                    | 7.30                    | 1.00                     | 70g                 | 1.40                | 3A             |
| YT511-31GG-VNN100F | 11.00                    | 7.30                    | 1.00                     | 70g                 | 1.40                | 3A             |

Note: When the current rating is 1A, This product is only suitable for signal transmission

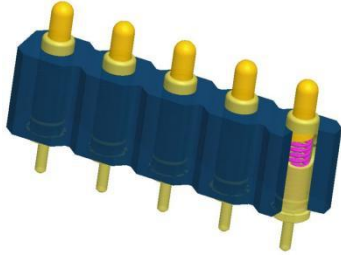
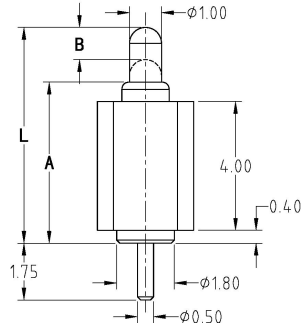
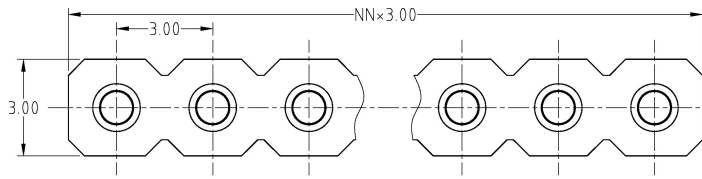
|  |  |
|--|--|
| <p>-Materials:<br/>                 .Plunger: BrassC6801 Gold over Nickel<br/>                 .Barrel &amp; Plug: BrassC6801 Gold over Nickel<br/>                 .Spring: SUS304 Gold over Nickel<br/>                 .Housing :Black HTN UL94 V-0<br/>                 -Dimensions: Millimeters<br/>                 -Tolerances on:<br/>                 .lengths: ±0.1      .Diameters: ±0.05</p> | <p>-Mechanical Specifications:<br/>                 .Durability: 10000~1000,000 cycles<br/>                 -Electrical Specifications:<br/>                 .Voltage rating : <b>DC12V</b><br/>                 .Contact resistance: 50 milli-ohm Max.<br/>                 -Environmental Specifications:<br/>                 -Operating teYTerature range: -40/+105℃ (discontinuous)</p> |
|--|--|



# Pogo Pin Connector-Multi-pins

-3.00 Pitch Single Row

-DIP Pogo Pin Connector

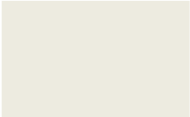


| YTXXX - SS <b>GG</b> - X <b>NN</b> 100F     |   |  |
|---|---|--|
| Housing<br><b>-X</b>                        | Gold Plating Code- <b>GG</b>                                    |  |
| <b>X</b> -Single H4.00<br>Pitch 3.00        | <b>G-Barrel</b><br>1-0.125um<br>2-0.25um<br>4-0.5um<br>5-0.75um | <b>G-Plunger</b><br>1-0.125um<br>2-0.25um<br>4-0.5um<br>5-0.75um |
| <b>NN</b> Specify number of contacts: 02-24 |   |  |

| Part NO.           | Initial height<br>-L(mm) | Barrel length<br>-A(mm) | Working stroke<br>-B(mm) | Spring force<br>(g) | Max. stroke<br>(mm) | Current rating |
|--------------------|--------------------------|-------------------------|--------------------------|---------------------|---------------------|----------------|
| YT210-11GG-XNN100F | 5.50                     | 4.30                    | 1.00                     | 70g                 | 1.20                | 3A             |
| YT210-21GG-XNN100F | 6.00                     | 4.30                    | 1.00                     | 70g                 | 1.40                | 3A             |
| YT210-31GG-XNN100F | 6.50                     | 4.30                    | 1.00                     | 70g                 | 1.40                | 3A             |
| YT210-41GG-XNN100F | 7.00                     | 4.30                    | 1.00                     | 70g                 | 1.40                | 3A             |
| YT310-11GG-XNN100F | 6.50                     | 5.30                    | 1.00                     | 70g                 | 1.40                | 3A             |
| YT310-21GG-XNN100F | 7.00                     | 5.30                    | 1.00                     | 70g                 | 1.40                | 3A             |
| YT310-31GG-XNN100F | 7.50                     | 5.30                    | 1.00                     | 70g                 | 1.40                | 3A             |
| YT310-41GG-XNN100F | 8.00                     | 5.30                    | 1.00                     | 70g                 | 1.40                | 3A             |
| YT315-11GG-XNN100F | 6.50                     | 5.30                    | 1.00                     | 70g                 | 1.40                | 5A大电流          |
| YT315-21GG-XNN100F | 7.00                     | 5.30                    | 1.00                     | 70g                 | 1.40                | 5A大电流          |
| YT315-31GG-XNN100F | 7.50                     | 5.30                    | 1.00                     | 70g                 | 1.40                | 5A大电流          |
| YT315-41GG-XNN100F | 8.00                     | 5.30                    | 1.00                     | 70g                 | 1.40                | 5A大电流          |
| YT511-11GG-XNN100F | 9.00                     | 7.30                    | 1.00                     | 70g                 | 1.40                | 3A             |
| YT511-21GG-XNN100F | 10.00                    | 7.30                    | 1.00                     | 70g                 | 1.40                | 3A             |
| YT511-31GG-XNN100F | 11.00                    | 7.30                    | 1.00                     | 70g                 | 1.40                | 3A             |
| YT512-11GG-XNN100F | 12.00                    | 10.30                   | 1.00                     | 70g                 | 1.40                | 3A             |
| YT512-21GG-XNN100F | 13.00                    | 10.30                   | 1.00                     | 70g                 | 1.40                | 3A             |
| YT512-31GG-XNN100F | 14.00                    | 10.30                   | 1.00                     | 70g                 | 1.40                | 3A             |
| YT513-11GG-XNN100F | 15.00                    | 12.30                   | 1.00                     | 70g                 | 1.40                | 3A             |

-Materials:  
 .Plunger: BrassC6801 Gold over Nickel  
 .Barrel & Plug: BrassC6801 Gold over Nickel  
 .Spring: SUS304 Gold over Nickel  
 .Housing :Black HTN UL94 V-0  
 -Dimensions: Millimeters  
 -Tolerances on:  
 .lengths: ±0.1     .Diameters: ±0.05

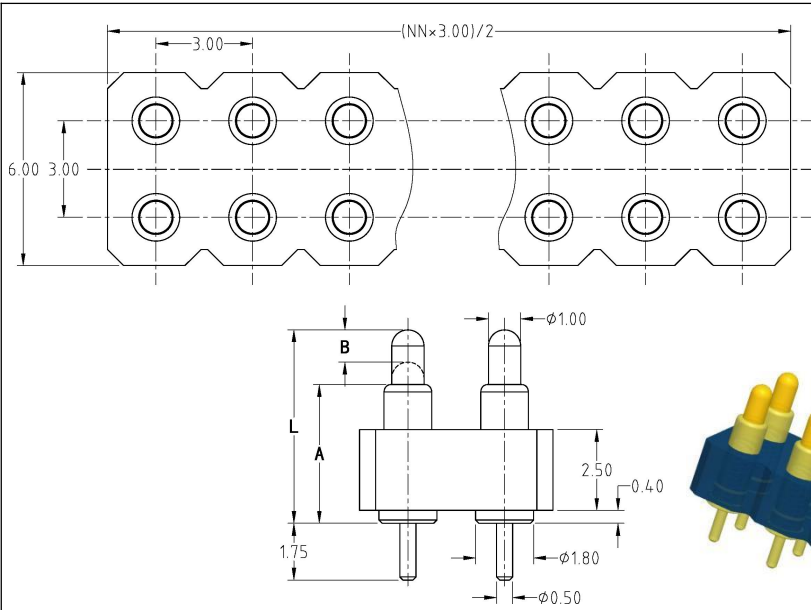
-Mechanical Specifications:  
 .Durability: 10000~1000,000 cycles  
 -Electrical Specifications:  
 .Voltage rating : **DC12V**  
 .Contact resistance: 50 milli-ohm Max.  
 -Environmental Specifications:  
 -Operating teYTerature range: -40/+105℃ (discontinuous)



# Pogo Pin Connector-Multi-pins

-3.00 Pitch Double Row

-DIP Pogo Pin Connector

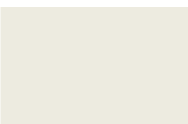


|   |   |  |
|---|---|--|
| <b>YTXXX - SS GG - X NN 100F</b>            |   |  |
| Housing<br><b>-X</b>                        | Gold Plating Code- <b>GG</b>                                    |  |
| <b>W</b> -Double H2.50<br>Pitch 3.00        | <b>G-Barrel</b><br>1-0.125um<br>2-0.25um<br>4-0.5um<br>5-0.75um | <b>G-Plunger</b><br>1-0.125um<br>2-0.25um<br>4-0.5um<br>5-0.75um |
| <b>NN</b> Specify number of contacts: 04-48 |   |  |

| Part NO.           | Initial height<br>-L(mm) | Barrel length<br>-A(mm) | Working stroke<br>-B(mm) | Spring force<br>(g) | Max. stroke<br>(mm) | Current rating |
|--------------------|--------------------------|-------------------------|--------------------------|---------------------|---------------------|----------------|
| YT110-11GG-WNN100F | 4.50                     | 3.30                    | 1.00                     | 90g                 | 1.20                | 1A             |
| YT110-21GG-WNN100F | 5.00                     | 3.30                    | 1.00                     | 90g                 | 1.20                | 1A             |
| YT210-11GG-WNN100F | 5.50                     | 4.30                    | 1.00                     | 70g                 | 1.20                | 3A             |
| YT210-21GG-WNN100F | 6.00                     | 4.30                    | 1.00                     | 70g                 | 1.40                | 3A             |
| YT210-31GG-WNN100F | 6.50                     | 4.30                    | 1.00                     | 70g                 | 1.40                | 3A             |
| YT210-41GG-WNN100F | 7.00                     | 4.30                    | 1.00                     | 70g                 | 1.40                | 3A             |
| YT310-11GG-WNN100F | 6.50                     | 5.30                    | 1.00                     | 70g                 | 1.40                | 3A             |
| YT310-21GG-WNN100F | 7.00                     | 5.30                    | 1.00                     | 70g                 | 1.40                | 3A             |
| YT310-31GG-WNN100F | 7.50                     | 5.30                    | 1.00                     | 70g                 | 1.40                | 3A             |
| YT310-41GG-WNN100F | 8.00                     | 5.30                    | 1.00                     | 70g                 | 1.40                | 3A             |
| YT315-11GG-WNN100F | 6.50                     | 5.30                    | 1.00                     | 70g                 | 1.40                | 5A大电流          |
| YT315-21GG-WNN100F | 7.00                     | 5.30                    | 1.00                     | 70g                 | 1.40                | 5A大电流          |
| YT315-31GG-WNN100F | 7.50                     | 5.30                    | 1.00                     | 70g                 | 1.40                | 5A大电流          |
| YT315-41GG-WNN100F | 8.00                     | 5.30                    | 1.00                     | 70g                 | 1.40                | 5A大电流          |
| YT511-11GG-WNN100F | 9.00                     | 7.30                    | 1.00                     | 70g                 | 1.40                | 3A             |
| YT511-21GG-WNN100F | 10.00                    | 7.30                    | 1.00                     | 70g                 | 1.40                | 3A             |
| YT511-31GG-WNN100F | 11.00                    | 7.30                    | 1.00                     | 70g                 | 1.40                | 3A             |

Note: When the current rating is 1A, This product is only suitable for signal transmission

|  |   |
|--|---|
| <p>-Materials:<br/>                 .Plunger: BrassC6801 Gold over Nickel<br/>                 .Barrel &amp; Plug: BrassC6801 Gold over Nickel<br/>                 .Spring: SUS304 Gold over Nickel<br/>                 .Housing :Black HTN UL94 V-0<br/>                 -Dimensions: Millimeters<br/>                 -Tolerances on:<br/>                 .lengths: ±0.1      .Diameters: ±0.05</p> | <p>-Mechanical Specifications:<br/>                 .Durability: 10000~1000,000 cycles<br/>                 -Electrical Specifications:<br/>                 .Voltage rating : <b>DC12V</b><br/>                 .Contact resistance: 50 milli-ohm Max.<br/>                 -Environmental Specifications:<br/>                 -Operating teYTemperature range: -40/+105℃ (discontinuous)</p> |
|--|---|



# Pogo Pin Connector-Multi-pins

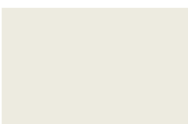
-3.00 Pitch Double Row

-DIP Pogo Pin Connector

|                                      |  |   |
|--------------------------------------|--|---|
| <b>YTXXX - SS GG - X NN 100F</b>     |  |   |
| Housing<br><b>X</b>                  | Gold Plating Code- <b>GG</b>                                     |   |
| <b>Y</b> -Double H4.00<br>Pitch 3.00 | <b>G</b> -Barrel<br>1-0.125um<br>2-0.25um<br>4-0.5um<br>5-0.75um | <b>G</b> -Plunger<br>1-0.125um<br>2-0.25um<br>4-0.5um<br>5-0.75um |
| Specify number of contacts: 04-48    |  |   |

| Part NO.           | Initial height<br>-L(mm) | Barrel length<br>-A(mm) | Working stroke<br>-B(mm) | Spring force<br>(g) | Max. stroke<br>(mm) | Current rating |
|--------------------|--------------------------|-------------------------|--------------------------|---------------------|---------------------|----------------|
| YT210-11GG-YNN100F | 5.50                     | 4.30                    | 1.00                     | 70g                 | 1.20                | 3A             |
| YT210-21GG-YNN100F | 6.00                     | 4.30                    | 1.00                     | 70g                 | 1.40                | 3A             |
| YT210-31GG-YNN100F | 6.50                     | 4.30                    | 1.00                     | 70g                 | 1.40                | 3A             |
| YT210-41GG-YNN100F | 7.00                     | 4.30                    | 1.00                     | 70g                 | 1.40                | 3A             |
| YT310-11GG-YNN100F | 6.50                     | 5.30                    | 1.00                     | 70g                 | 1.40                | 3A             |
| YT310-21GG-YNN100F | 7.00                     | 5.30                    | 1.00                     | 70g                 | 1.40                | 3A             |
| YT310-31GG-YNN100F | 7.50                     | 5.30                    | 1.00                     | 70g                 | 1.40                | 3A             |
| YT310-41GG-YNN100F | 8.00                     | 5.30                    | 1.00                     | 70g                 | 1.40                | 3A             |
| YT315-11GG-YNN100F | 6.50                     | 5.30                    | 1.00                     | 70g                 | 1.40                | 5A大电流          |
| YT315-21GG-YNN100F | 7.00                     | 5.30                    | 1.00                     | 70g                 | 1.40                | 5A大电流          |
| YT315-31GG-YNN100F | 7.50                     | 5.30                    | 1.00                     | 70g                 | 1.40                | 5A大电流          |
| YT315-41GG-YNN100F | 8.00                     | 5.30                    | 1.00                     | 70g                 | 1.40                | 5A大电流          |
| YT511-11GG-YNN100F | 9.00                     | 7.30                    | 1.00                     | 70g                 | 1.40                | 3A             |
| YT511-21GG-YNN100F | 10.00                    | 7.30                    | 1.00                     | 70g                 | 1.40                | 3A             |
| YT511-31GG-YNN100F | 11.00                    | 7.30                    | 1.00                     | 70g                 | 1.40                | 3A             |
| YT512-11GG-YNN100F | 12.00                    | 10.30                   | 1.00                     | 70g                 | 1.40                | 3A             |
| YT512-21GG-YNN100F | 13.00                    | 10.30                   | 1.00                     | 70g                 | 1.40                | 3A             |
| YT512-31GG-YNN100F | 14.00                    | 10.30                   | 1.00                     | 70g                 | 1.40                | 3A             |
| YT513-11GG-YNN100F | 15.00                    | 12.30                   | 1.00                     | 70g                 | 1.40                | 3A             |

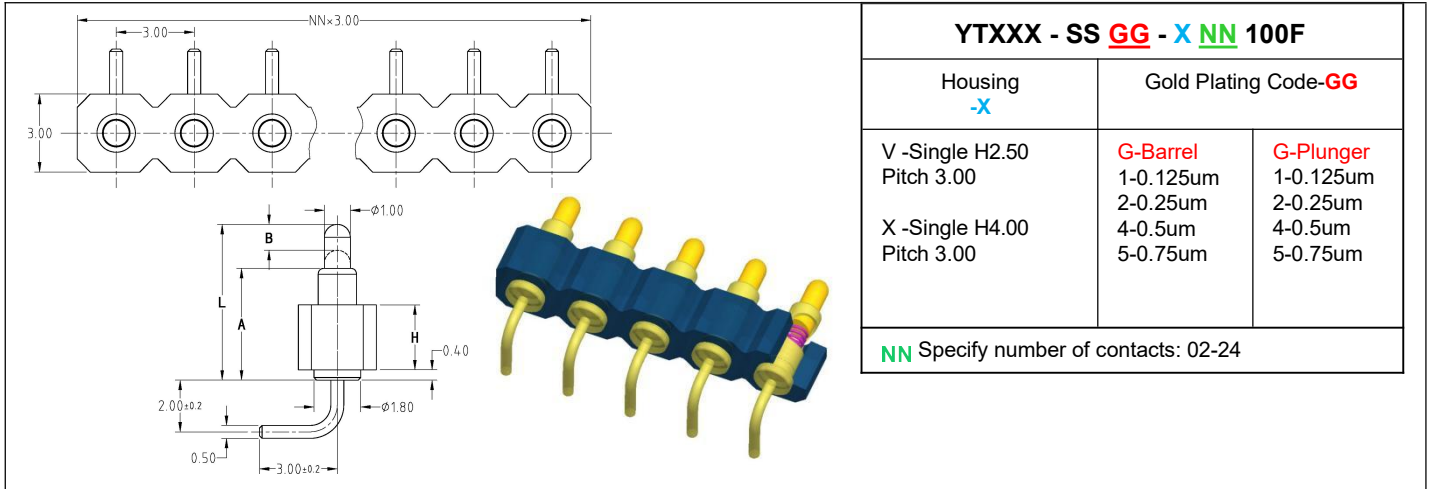
|   |   |
|---|---|
| <p>-Materials:<br/>                 .Plunger: BrassC6801 Gold over Nickel<br/>                 .Barrel &amp; Plug: BrassC6801 Gold over Nickel<br/>                 .Spring: SUS304 Gold over Nickel<br/>                 .Housing :Black HTN UL94 V-0<br/>                 -Dimensions: Millimeters<br/>                 -Tolerances on:<br/>                 .lengths: ±0.1     .Diameters: ±0.05</p> | <p>-Mechanical Specifications:<br/>                 .Durability: 10000~1000,000 cycles<br/>                 -Electrical Specifications:<br/>                 .Voltage rating : <b>DC12V</b><br/>                 .Contact resistance: 50 milli-ohm Max.<br/>                 -Environmental Specifications:<br/>                 -Operating teYTemperature range: -40/+105℃ (discontinuous)</p> |
|---|---|



## Pogo Pin Connector-Multi-pins

-3.00 Pitch Single Row

-Bend Pogo Pin Connector



| YTXXX - SS <b>GG</b> - X <b>NN</b> 100F     |   |  |
|---|---|--|
| Housing<br><b>-X</b>                        | Gold Plating Code- <b>GG</b>                                    |  |
| V -Single H2.50<br>Pitch 3.00               | <b>G-Barrel</b><br>1-0.125um<br>2-0.25um<br>4-0.5um<br>5-0.75um | <b>G-Plunger</b><br>1-0.125um<br>2-0.25um<br>4-0.5um<br>5-0.75um |
| X -Single H4.00<br>Pitch 3.00               |   |  |
| <b>NN</b> Specify number of contacts: 02-24 |   |  |

| Part NO.           | Initial height<br><b>-L</b> (mm) | Barrel length<br><b>-A</b> (mm) | Housing<br><b>-H</b> (mm) | Working stroke<br><b>-B</b> (mm) | Spring force<br>(g) | Max. stroke<br>(mm) | Current rating |
|--------------------|----------------------------------|---------------------------------|---------------------------|----------------------------------|---------------------|---------------------|----------------|
| YT220-11GG-VNN100F | 5.50                             | 4.30                            | 2.50                      | 1.00                             | 70g                 | 1.40                | 3A             |
| YT220-21GG-VNN100F | 6.00                             | 4.30                            | 2.50                      | 1.00                             | 70g                 | 1.40                | 3A             |
| YT220-31GG-VNN100F | 6.50                             | 4.30                            | 2.50                      | 1.00                             | 70g                 | 1.40                | 3A             |
| YT220-41GG-VNN100F | 7.00                             | 4.30                            | 2.50                      | 1.00                             | 70g                 | 1.40                | 3A             |
| YT320-11GG-VNN100F | 6.50                             | 5.30                            | 2.50                      | 1.00                             | 70g                 | 1.40                | 3A             |
| YT320-21GG-VNN100F | 7.00                             | 5.30                            | 2.50                      | 1.00                             | 70g                 | 1.40                | 3A             |
| YT320-31GG-VNN100F | 7.50                             | 5.30                            | 2.50                      | 1.00                             | 70g                 | 1.40                | 3A             |
| YT320-41GG-VNN100F | 8.00                             | 5.30                            | 2.50                      | 1.00                             | 70g                 | 1.40                | 3A             |
| YT325-11GG-VNN100F | 6.50                             | 5.30                            | 2.50                      | 1.00                             | 70g                 | 1.40                | 5A大电流          |
| YT325-21GG-VNN100F | 7.00                             | 5.30                            | 2.50                      | 1.00                             | 70g                 | 1.40                | 5A大电流          |
| YT325-31GG-VNN100F | 7.50                             | 5.30                            | 2.50                      | 1.00                             | 70g                 | 1.40                | 5A大电流          |
| YT325-41GG-VNN100F | 8.00                             | 5.30                            | 2.50                      | 1.00                             | 70g                 | 1.40                | 5A大电流          |
| YT220-11GG-XNN100F | 5.50                             | 4.30                            | 4.00                      | 1.00                             | 70g                 | 1.40                | 3A             |
| YT220-21GG-XNN100F | 6.00                             | 4.30                            | 4.00                      | 1.00                             | 70g                 | 1.40                | 3A             |
| YT220-31GG-XNN100F | 6.50                             | 4.30                            | 4.00                      | 1.00                             | 70g                 | 1.40                | 3A             |
| YT220-41GG-XNN100F | 7.00                             | 4.30                            | 4.00                      | 1.00                             | 70g                 | 1.40                | 3A             |
| YT320-11GG-XNN100F | 6.50                             | 5.30                            | 4.00                      | 1.00                             | 70g                 | 1.40                | 3A             |
| YT320-21GG-XNN100F | 7.00                             | 5.30                            | 4.00                      | 1.00                             | 70g                 | 1.40                | 3A             |
| YT320-31GG-XNN100F | 7.50                             | 5.30                            | 4.00                      | 1.00                             | 70g                 | 1.40                | 3A             |
| YT320-41GG-XNN100F | 8.00                             | 5.30                            | 4.00                      | 1.00                             | 70g                 | 1.40                | 3A             |
| YT325-11GG-XNN100F | 6.50                             | 5.30                            | 4.00                      | 1.00                             | 70g                 | 1.40                | 5A大电流          |
| YT325-21GG-XNN100F | 7.00                             | 5.30                            | 4.00                      | 1.00                             | 70g                 | 1.40                | 5A大电流          |
| YT325-31GG-XNN100F | 7.50                             | 5.30                            | 4.00                      | 1.00                             | 70g                 | 1.40                | 5A大电流          |
| YT325-41GG-XNN100F | 8.00                             | 5.30                            | 4.00                      | 1.00                             | 70g                 | 1.40                | 5A大电流          |

**-Materials:**

.Plunger: BrassC6801 Gold over Nickel  
 .Barrel & Plug: BrassC6801 Gold over Nickel  
 .Spring: SUS304 Gold over Nickel  
 .Housing :Black HTN UL94 V-0  
 -Dimensions: Millimeters  
 -Tolerances on:  
 .lengths: ±0.1      .Diameters: ±0.05

**-Mechanical Specifications:**

.Durability: 10000~1000,000 cycles  
 -Electrical Specifications:  
 .Voltage rating : **DC12V**  
 .Contact resistance: 50 milli-ohm Max.  
 -Environmental Specifications:  
 -Operating teYTerature range: -40/+105°C (discontinuous)

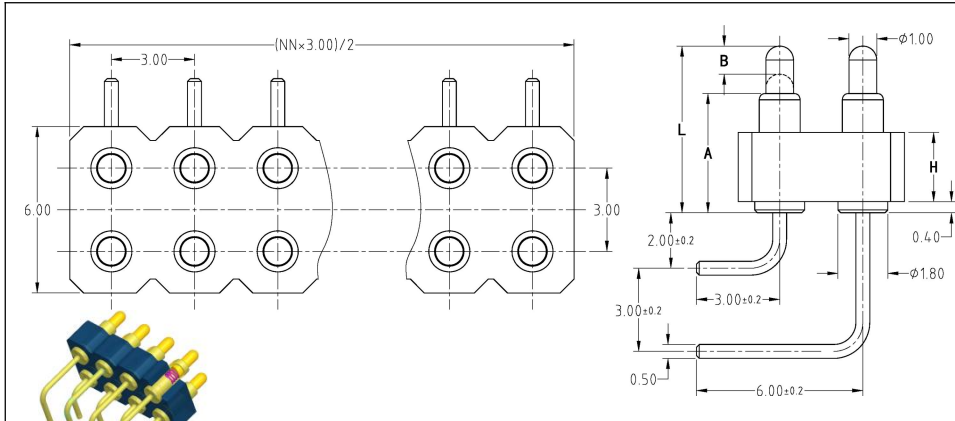
**RoHS**  
2011/65/EU

53页

## Pogo Pin Connector-Multi-pins

-3.00 Pitch Double Row

-Bend Pogo Pin Connector



| YTXXX - SS <b>GG</b> - X <b>NN</b> 100F     |  |  |
|---|--|--|
| Housing<br><b>X</b>                         | Gold Plating Code- <b>GG</b>                         |  |
| W -Double H2.50<br>Pitch 3.00               | <b>G- Barrel</b><br>1-0.125um<br>2-0.25um<br>4-0.5um | <b>G-Plunger</b><br>1-0.125um<br>2-0.25um<br>4-0.5um<br>5-0.75um |
| Y -Double H4.00<br>Pitch 3.00               |  |  |
| <b>NN</b> Specify number of contacts: 04-48 |  |  |

| Part NO.           | Initial height<br>-L(mm) | Barrel length<br>-A(mm) | Housing<br>-H(mm) | Working stroke<br>-B(mm) | Spring force<br>(g) | Max. stroke<br>(mm) | Current<br>rating |
|--------------------|--------------------------|-------------------------|-------------------|--------------------------|---------------------|---------------------|-------------------|
| YT220-11GG-WNN100F | 5.50                     | 4.30                    | 2.50              | 1.00                     | 70g                 | 1.40                | 3A                |
| YT220-21GG-WNN100F | 6.00                     | 4.30                    | 2.50              | 1.00                     | 70g                 | 1.40                | 3A                |
| YT220-31GG-WNN100F | 6.50                     | 4.30                    | 2.50              | 1.00                     | 70g                 | 1.40                | 3A                |
| YT220-41GG-WNN100F | 7.00                     | 4.30                    | 2.50              | 1.00                     | 70g                 | 1.40                | 3A                |
| YT320-11GG-WNN100F | 6.50                     | 5.30                    | 2.50              | 1.00                     | 70g                 | 1.40                | 3A                |
| YT320-21GG-WNN100F | 7.00                     | 5.30                    | 2.50              | 1.00                     | 70g                 | 1.40                | 3A                |
| YT320-31GG-WNN100F | 7.50                     | 5.30                    | 2.50              | 1.00                     | 70g                 | 1.40                | 3A                |
| YT320-41GG-WNN100F | 8.00                     | 5.30                    | 2.50              | 1.00                     | 70g                 | 1.40                | 3A                |
| YT325-11GG-WNN100F | 6.50                     | 5.30                    | 2.50              | 1.00                     | 70g                 | 1.40                | 5A大电流             |
| YT325-21GG-WNN100F | 7.00                     | 5.30                    | 2.50              | 1.00                     | 70g                 | 1.40                | 5A大电流             |
| YT325-31GG-WNN100F | 7.50                     | 5.30                    | 2.50              | 1.00                     | 70g                 | 1.40                | 5A大电流             |
| YT325-41GG-WNN100F | 8.00                     | 5.30                    | 2.50              | 1.00                     | 70g                 | 1.40                | 5A大电流             |
| YT220-11GG-YNN100F | 5.50                     | 4.30                    | 4.00              | 1.00                     | 70g                 | 1.40                | 3A                |
| YT220-21GG-YNN100F | 6.00                     | 4.30                    | 4.00              | 1.00                     | 70g                 | 1.40                | 3A                |
| YT220-31GG-YNN100F | 6.50                     | 4.30                    | 4.00              | 1.00                     | 70g                 | 1.40                | 3A                |
| YT220-41GG-YNN100F | 7.00                     | 4.30                    | 4.00              | 1.00                     | 70g                 | 1.40                | 3A                |
| YT320-11GG-YNN100F | 6.50                     | 5.30                    | 4.00              | 1.00                     | 70g                 | 1.40                | 3A                |
| YT320-21GG-YNN100F | 7.00                     | 5.30                    | 4.00              | 1.00                     | 70g                 | 1.40                | 3A                |
| YT320-31GG-YNN100F | 7.50                     | 5.30                    | 4.00              | 1.00                     | 70g                 | 1.40                | 3A                |
| YT320-41GG-YNN100F | 8.00                     | 5.30                    | 4.00              | 1.00                     | 70g                 | 1.40                | 3A                |
| YT325-11GG-YNN100F | 6.50                     | 5.30                    | 4.00              | 1.00                     | 70g                 | 1.40                | 5A大电流             |
| YT325-21GG-YNN100F | 7.00                     | 5.30                    | 4.00              | 1.00                     | 70g                 | 1.40                | 5A大电流             |
| YT325-31GG-YNN100F | 7.50                     | 5.30                    | 4.00              | 1.00                     | 70g                 | 1.40                | 5A大电流             |
| YT325-41GG-YNN100F | 8.00                     | 5.30                    | 4.00              | 1.00                     | 70g                 | 1.40                | 5A大电流             |

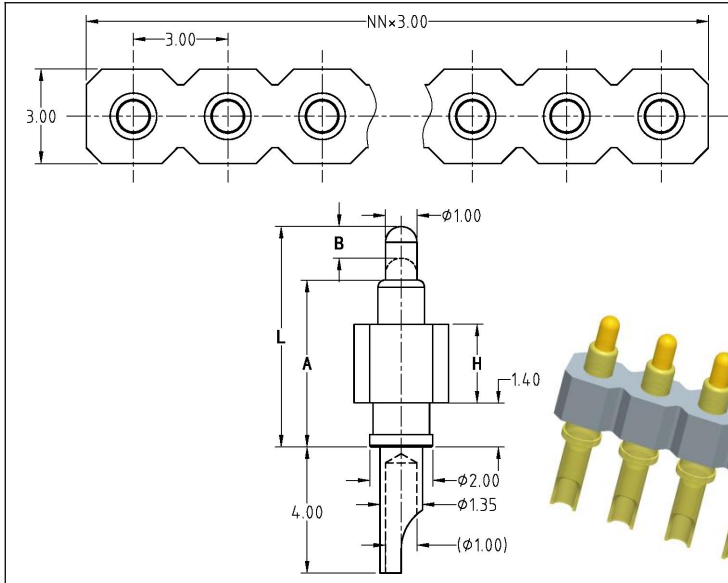
-Materials:  
 .Plunger: BrassC6801 Gold over Nickel  
 .Barrel & Plug: BrassC6801 Gold over Nickel  
 .Spring: SUS304 Gold over Nickel  
 .Housing :Black HTN UL94 V-0  
 -Dimensions: Millimeters  
 -Tolerances on:  
 .lengths: ±0.1     .Diameters: ±0.05

-Mechanical Specifications:  
 .Durability: 10000~1000,000 cycles  
 -Electrical Specifications:  
 .Voltage rating : **DC12V**  
 .Contact resistance: 50 milli-ohm Max.  
 -Environmental Specifications:  
 -Operating teYTerature range: -40/+105℃ (discontinuous)

## Pogo Pin Connector-Multi-pins

-3.00 Pitch Single Row

-Solder Pogo Pin Connector



| YTXXX - SS <b>GG</b> - X <b>NN</b> 100F     |  |  |
|---|--|--|
| Housing<br><b>-X</b>                        | Gold Plating Code- <b>GG</b>                                     |  |
| <b>V</b> -Single H2.50<br>Pitch 3.00        | <b>G-Barrier</b><br>1-0.125um<br>2-0.25um<br>4-0.5um<br>5-0.75um | <b>G-Plunger</b><br>1-0.125um<br>2-0.25um<br>4-0.5um<br>5-0.75um |
| <b>X</b> -Single H4.00<br>Pitch 3.00        |  |  |
| <b>NN</b> Specify number of contacts: 02-24 |  |  |

| Part NO.           | Initial height<br>-L(mm) | Barrel length<br>-A(mm) | Housing<br>-H(mm) | Working stroke<br>-B(mm) | Spring force<br>(g) | Max. stroke<br>(mm) | Current<br>rating |
|--------------------|--------------------------|-------------------------|-------------------|--------------------------|---------------------|---------------------|-------------------|
| YT230-11GG-VNN100F | 5.50                     | 4.30                    | 2.50              | 1.00                     | 70g                 | 1.40                | 3A                |
| YT230-21GG-VNN100F | 6.00                     | 4.30                    | 2.50              | 1.00                     | 70g                 | 1.40                | 3A                |
| YT330-11GG-VNN100F | 6.50                     | 5.30                    | 2.50              | 1.00                     | 70g                 | 1.40                | 3A                |
| YT330-21GG-VNN100F | 7.00                     | 5.30                    | 2.50              | 1.00                     | 70g                 | 1.40                | 3A                |
| YT330-31GG-VNN100F | 7.50                     | 5.30                    | 2.50              | 1.00                     | 70g                 | 1.40                | 3A                |
| YT330-41GG-VNN100F | 8.00                     | 5.30                    | 2.50              | 1.00                     | 70g                 | 1.40                | 3A                |
| YT335-11GG-VNN100F | 6.50                     | 5.30                    | 2.50              | 1.00                     | 70g                 | 1.40                | 5A大电流             |
| YT335-21GG-VNN100F | 7.00                     | 5.30                    | 2.50              | 1.00                     | 70g                 | 1.40                | 5A大电流             |
| YT335-31GG-VNN100F | 7.50                     | 5.30                    | 2.50              | 1.00                     | 70g                 | 1.40                | 5A大电流             |
| YT335-41GG-VNN100F | 8.00                     | 5.30                    | 2.50              | 1.00                     | 70g                 | 1.40                | 5A大电流             |
| YT230-11GG-XNN100F | 5.50                     | 4.30                    | 4.00              | 1.00                     | 70g                 | 1.40                | 3A                |
| YT230-21GG-XNN100F | 6.00                     | 4.30                    | 4.00              | 1.00                     | 70g                 | 1.40                | 3A                |
| YT330-11GG-XNN100F | 6.50                     | 5.30                    | 4.00              | 1.00                     | 70g                 | 1.40                | 3A                |
| YT330-21GG-XNN100F | 7.00                     | 5.30                    | 4.00              | 1.00                     | 70g                 | 1.40                | 3A                |
| YT330-31GG-XNN100F | 7.50                     | 5.30                    | 4.00              | 1.00                     | 70g                 | 1.40                | 3A                |
| YT330-41GG-XNN100F | 8.00                     | 5.30                    | 4.00              | 1.00                     | 70g                 | 1.40                | 3A                |
| YT335-11GG-XNN100F | 6.50                     | 5.30                    | 4.00              | 1.00                     | 70g                 | 1.40                | 5A大电流             |
| YT335-21GG-XNN100F | 7.00                     | 5.30                    | 4.00              | 1.00                     | 70g                 | 1.40                | 5A大电流             |
| YT335-31GG-XNN100F | 7.50                     | 5.30                    | 4.00              | 1.00                     | 70g                 | 1.40                | 5A大电流             |
| YT335-41GG-XNN100F | 8.00                     | 5.30                    | 4.00              | 1.00                     | 70g                 | 1.40                | 5A大电流             |

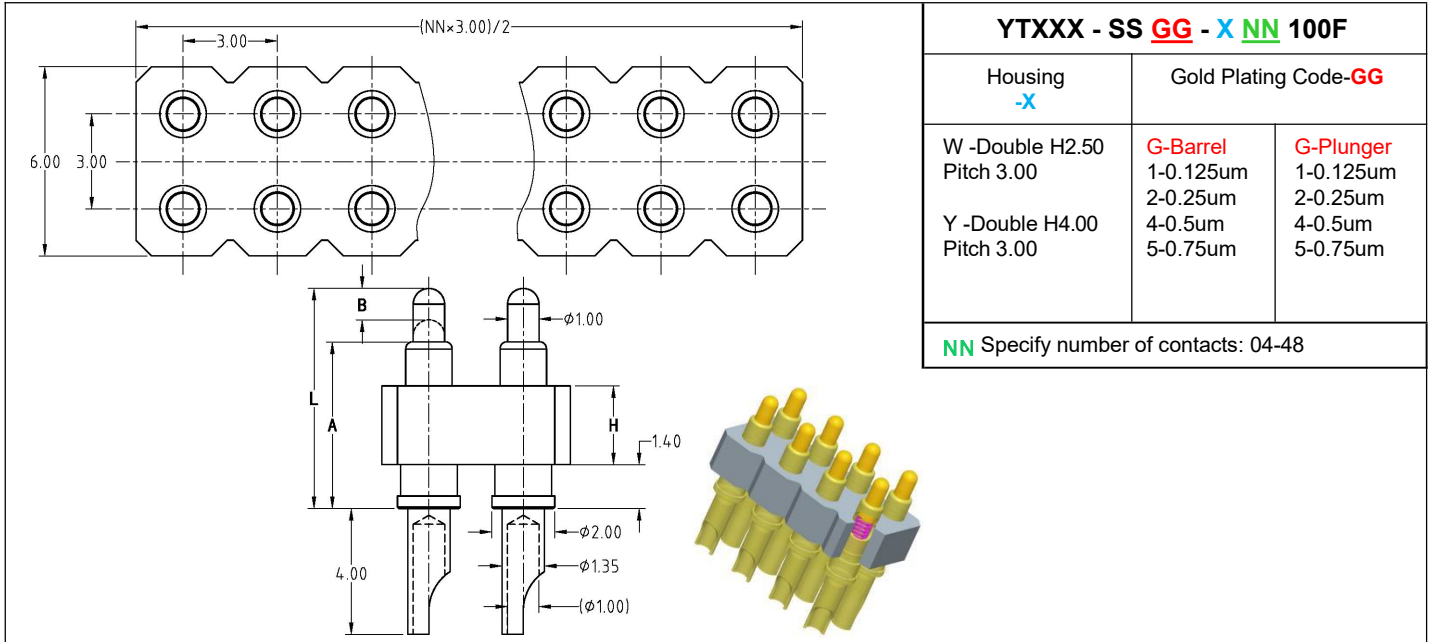
-Materials:  
 .Plunger: BrassC6801 Gold over Nickel  
 .Barrel & Plug: BrassC6801 Gold over Nickel  
 .Spring: SUS304 Gold over Nickel  
 .Housing :Black HTN UL94 V-0  
 -Dimensions: Millimeters  
 -Tolerances on:  
 .lengths: ±0.1     .Diameters: ±0.05

-Mechanical Specifications:  
 .Durability: 10000~1000,000 cycles  
 -Electrical Specifications:  
 .Voltage rating : **DC12V**  
 .Contact resistance: 50 milli-ohm Max.  
 -Environmental Specifications:  
 -Operating teYTerature range: -40/+105℃ (discontinuous)

## Pogo Pin Connector-Multi-pins

-3.00 Pitch Double Row

-Solder Pogo Pin Connector



**YTXXX - SS GG - X NN 100F**

Housing  
-X

Gold Plating Code-**GG**

W -Double H2.50  
Pitch 3.00

**G-Barrel**  
1-0.125um  
2-0.25um  
4-0.5um  
5-0.75um

**G-Plunger**  
1-0.125um  
2-0.25um  
4-0.5um  
5-0.75um

**NN** Specify number of contacts: 04-48

| Part NO.           | Initial height<br>-L(mm) | Barrel length<br>-A(mm) | Housing<br>-H(mm) | Working stroke<br>-B(mm) | Spring force<br>(g) | Max. stroke<br>(mm) | Current<br>rating |
|--------------------|--------------------------|-------------------------|-------------------|--------------------------|---------------------|---------------------|-------------------|
| YT230-11GG-WNN100F | 5.50                     | 4.30                    | 2.50              | 1.00                     | 70g                 | 1.40                | 3A                |
| YT230-21GG-WNN100F | 6.00                     | 4.30                    | 2.50              | 1.00                     | 70g                 | 1.40                | 3A                |
| YT330-11GG-WNN100F | 6.50                     | 5.30                    | 2.50              | 1.00                     | 70g                 | 1.40                | 3A                |
| YT330-21GG-WNN100F | 7.00                     | 5.30                    | 2.50              | 1.00                     | 70g                 | 1.40                | 3A                |
| YT330-31GG-WNN100F | 7.50                     | 5.30                    | 2.50              | 1.00                     | 70g                 | 1.40                | 3A                |
| YT330-41GG-WNN100F | 8.00                     | 5.30                    | 2.50              | 1.00                     | 70g                 | 1.40                | 3A                |
| YT335-11GG-WNN100F | 6.50                     | 5.30                    | 2.50              | 1.00                     | 70g                 | 1.40                | 5A大电流             |
| YT335-21GG-WNN100F | 7.00                     | 5.30                    | 2.50              | 1.00                     | 70g                 | 1.40                | 5A大电流             |
| YT335-31GG-WNN100F | 7.50                     | 5.30                    | 2.50              | 1.00                     | 70g                 | 1.40                | 5A大电流             |
| YT335-41GG-WNN100F | 8.00                     | 5.30                    | 2.50              | 1.00                     | 70g                 | 1.40                | 5A大电流             |
| YT230-11GG-YNN100F | 5.50                     | 4.30                    | 4.00              | 1.00                     | 70g                 | 1.40                | 3A                |
| YT230-21GG-YNN100F | 6.00                     | 4.30                    | 4.00              | 1.00                     | 70g                 | 1.40                | 3A                |
| YT330-11GG-YNN100F | 6.50                     | 5.30                    | 4.00              | 1.00                     | 70g                 | 1.40                | 3A                |
| YT330-21GG-YNN100F | 7.00                     | 5.30                    | 4.00              | 1.00                     | 70g                 | 1.40                | 3A                |
| YT330-31GG-YNN100F | 7.50                     | 5.30                    | 4.00              | 1.00                     | 70g                 | 1.40                | 3A                |
| YT330-41GG-YNN100F | 8.00                     | 5.30                    | 4.00              | 1.00                     | 70g                 | 1.40                | 3A                |
| YT335-11GG-YNN100F | 6.50                     | 5.30                    | 4.00              | 1.00                     | 70g                 | 1.40                | 5A大电流             |
| YT335-21GG-YNN100F | 7.00                     | 5.30                    | 4.00              | 1.00                     | 70g                 | 1.40                | 5A大电流             |
| YT335-31GG-YNN100F | 7.50                     | 5.30                    | 4.00              | 1.00                     | 70g                 | 1.40                | 5A大电流             |
| YT335-41GG-YNN100F | 8.00                     | 5.30                    | 4.00              | 1.00                     | 70g                 | 1.40                | 5A大电流             |

-Materials:  
 .Plunger: BrassC6801 Gold over Nickel  
 .Barrel & Plug: BrassC6801 Gold over Nickel  
 .Spring: SUS304 Gold over Nickel  
 .Housing :Black HTN UL94 V-0  
 -Dimensions: Millimeters  
 -Tolerances on:  
 .lengths: ±0.1 .Diameters: ±0.05

-Mechanical Specifications:  
 .Durability: 10000~1000,000 cycles  
 -Electrical Specifications:  
 .Voltage rating : **DC12V**  
 .Contact resistance: 50 milli-ohm Max.  
 -Environmental Specifications:  
 -Operating teYTerature range: -40/+105°C (discontinuous)

**RoHS**  
2011/65/EU

# Female Connectors

-1.27 Pitch Single&Double Row

-SMT Female Connector

| <b>YT470 - 11GG - T NN 100F</b>   |   |
|-----------------------------------|---|
| Housing<br><b>-X</b>              | Gold Plating Code-<br><b>GG</b>   |
| -Single H3.80<br>Pitch: 1.27      | <b>GG</b><br>10-0.125um<br>20-0.25um<br>30-0.375um<br>40-0.50um<br>50-0.75um<br>60-1.00um<br>70-1.20um<br>80-1.50um |
| Specify number of contacts: 02-30 |   |

**Note: Current rating 1A**

Note: this product is only suitable for signal transmission

CTP 永探

| <b>YT470 - 11GG - R NN 100F</b>             |   |
|---|---|
| Housing<br><b>-X</b>                        | Gold Plating Code-<br><b>GG</b>   |
| <b>R</b> -Double H3.80<br>Pitch: 1.27       | <b>GG</b><br>10-0.125um<br>20-0.25um<br>30-0.375um<br>40-0.50um<br>50-0.75um<br>60-1.00um<br>70-1.20um<br>80-1.50um |
| <b>NN</b> Specify number of contacts: 02-24 |   |

**Note: Current rating 1A**

Note: this product is only suitable for signal transmission

|   |   |
|---|---|
| <p>-Materials:<br/>                 .Turning: BrassC6801 Gold over Nickel<br/>                 .Housing :Black HTN UL94 V-0<br/>                 -Dimensions: Millimeters<br/>                 -Tolerances on:<br/>                 .lengths: ±0.1<br/>                 .Diameters: ±0.05</p> | <p>-Mechanical Specifications:<br/>                 .Durability: 10000~1000,000 cycles<br/>                 -Electrical Specifications:<br/>                 .Voltage rating : <b>DC12V</b><br/>                 .Contact resistance: 50 milli-ohm Max.<br/>                 -Environmental Specifications:<br/>                 -Operating teYTerature range: -40/+105°C (discontinuous)</p> |
|---|---|

## Female Connectors

-1.27 Pitch Single&Double Row

-DIP Female Connector

|   |   |
|---|---|
| <b>YT470 - 11GG - T NN 100F</b>             |   |
| Housing<br><b>-X</b>                        | Gold Plating Code- <b>GG</b>  |
| <b>T</b> -Single H3.80<br>Pitch: 1.27       | <b>GG</b><br>10-0.125um<br>20-0.25um<br>30-0.375um<br>40-0.50um<br>50-0.75um<br>60-1.00um<br>70-1.20um<br>80-1.50um |
| <b>NN</b> Specify number of contacts: 02-30 |   |

**Note: Current rating 1A**

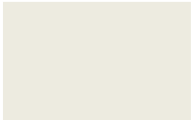
Note: this product is only suitable for signal transmission

|   |   |
|---|---|
| <b>YT470 - 11GG - R NN 100F</b>             |   |
| Housing<br><b>-X</b>                        | Gold Plating Code- <b>GG</b>  |
| <b>R</b> -Double H3.80<br>Pitch: 1.27       | <b>GG</b><br>10-0.125um<br>20-0.25um<br>30-0.375um<br>40-0.50um<br>50-0.75um<br>60-1.00um<br>70-1.20um<br>80-1.50um |
| <b>NN</b> Specify number of contacts: 02-24 |   |

**Note: Current rating 1A**

Note: this product is only suitable for signal transmission

|  |  |
|--|--|
| <p><b>-Materials:</b><br/>                 .Turning: BrassC6801 Gold over Nickel<br/>                 .Housing :Black HTN UL94 V-0<br/>                 -Dimensions: Millimeters<br/>                 -Tolerances on:<br/>                 .lengths: ±0.1<br/>                 .Diameters: ±0.05</p> | <p><b>-Mechanical Specifications:</b><br/>                 .Durability: 10000~1000,000 cycles<br/>                 -Electrical Specifications:<br/>                 .Voltage rating : <b>DC12V</b><br/>                 .Contact resistance: 50 milli-ohm Max.<br/>                 -Environmental Specifications:<br/>                 -Operating teYTerature range: -40/+105°C (discontinuous)</p> |
|--|--|



## Female Connectors

-2.00 Pitch Single&Double Row

-SMT Female Connector

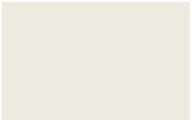
Note: **Current rating 3A**

| YT450 - 11GG - D NN 100F              |   |
|---------------------------------------|---|
| Housing<br><b>-X</b>                  | Gold Plating Code- <b>GG</b>  |
| <b>D</b> -Single H2.50<br>Pitch: 2.00 | <b>GG</b><br>10-0.125um<br>20-0.25um<br>30-0.375um<br>40-0.50um<br>50-0.75um<br>60-1.00um<br>70-1.20um<br>80-1.50um |
| NN Specify number of contacts: 02-36  |   |

Note: **Current rating 3A**

| YT450 - 11GG - G NN 100F              |   |
|---------------------------------------|---|
| Housing<br><b>-X</b>                  | Gold Plating Code- <b>GG</b>  |
| <b>G</b> -Double H2.50<br>Pitch: 2.00 | <b>GG</b><br>10-0.125um<br>20-0.25um<br>30-0.375um<br>40-0.50um<br>50-0.75um<br>60-1.00um<br>70-1.20um<br>80-1.50um |
| NN Specify number of contacts: 04-72  |   |

|   |   |
|---|---|
| <p>-Materials:<br/>                 .Turning: BrassC6801 Gold over Nickel<br/>                 .Housing :Black HTN UL94 V-0<br/>                 -Dimensions: Millimeters<br/>                 -Tolerances on:<br/>                 .lengths: ±0.1<br/>                 .Diameters: ±0.05</p> | <p>-Mechanical Specifications:<br/>                 .Durability: 10000~1000,000 cycles<br/>                 -Electrical Specifications:<br/>                 .Voltage rating : <b>DC12V</b><br/>                 .Contact resistance: 50 milli-ohm Max.<br/>                 -Environmental Specifications:<br/>                 -Operating teYTerature range: -40/+105°C (discontinuous)</p> |
|---|---|



## Female Connectors

-2.00 Pitch Single&Double Row

-DIP Female Connector

|                                       |                                       |   |
|---------------------------------------|---------------------------------------|---|
| <p>Note: <b>Current rating 3A</b></p> | <b>YT460 - 11GG - D NN 100F</b>       |   |
|                                       | Housing<br><b>-X</b>                  | Gold Plating Code- <b>GG</b>  |
|                                       | <b>D</b> -Single H2.50<br>Pitch: 2.00 | <b>GG</b><br>10-0.125um<br>20-0.25um<br>30-0.375um<br>40-0.50um<br>50-0.75um<br>60-1.00um<br>70-1.20um<br>80-1.50um |
| Specify number of contacts: 02-36     |                                       |   |

|                                       |                                       |   |
|---------------------------------------|---------------------------------------|---|
| <p>Note: <b>Current rating 3A</b></p> | <b>YT460 - 11GG - G NN 100F</b>       |   |
|                                       | Housing<br><b>-X</b>                  | Gold Plating Code- <b>GG</b>  |
|                                       | <b>G</b> -Double H2.50<br>Pitch: 2.00 | <b>GG</b><br>10-0.125um<br>20-0.25um<br>30-0.375um<br>40-0.50um<br>50-0.75um<br>60-1.00um<br>70-1.20um<br>80-1.50um |
| Specify number of contacts: 04-72     |                                       |   |

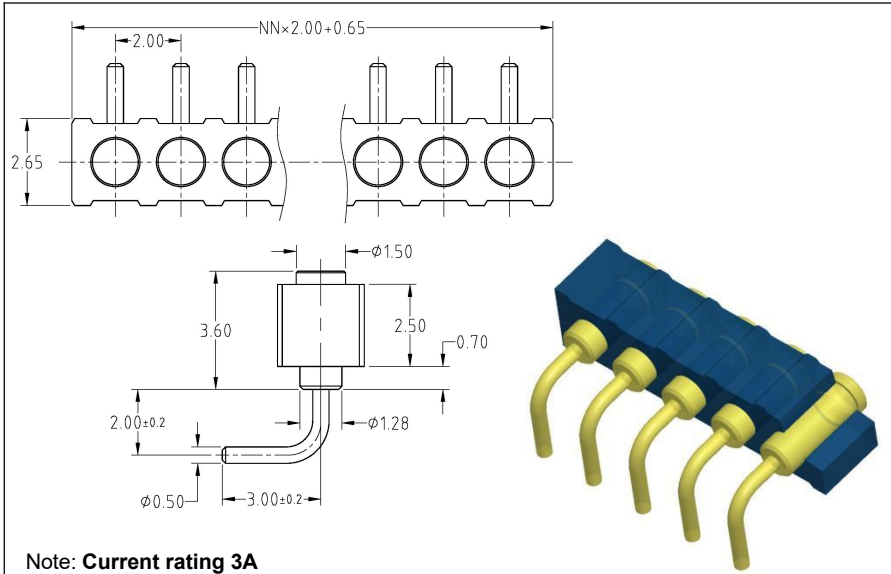
-Materials:  
 .Turning: BrassC6801 Gold over Nickel  
 .Housing :Black HTN UL94 V-0  
 -Dimensions: Millimeters  
 -Tolerances on:  
 .lengths: ±0.1  
 .Diameters: ±0.05

-Mechanical Specifications:  
 .Durability: 10000~1000,000 cycles  
 -Electrical Specifications:  
 .Voltage rating : **DC12V**  
 .Contact resistance: 50 milli-ohm Max.  
 -Environmental Specifications:  
 -Operating teYTerature range: -40/+105°C (discontinuous)

## Female Connectors

-2.00 Pitch Single&Double Row

-Bend Female Connector



Note: Current rating 3A

### YT460 - 21GG - D NN 100F

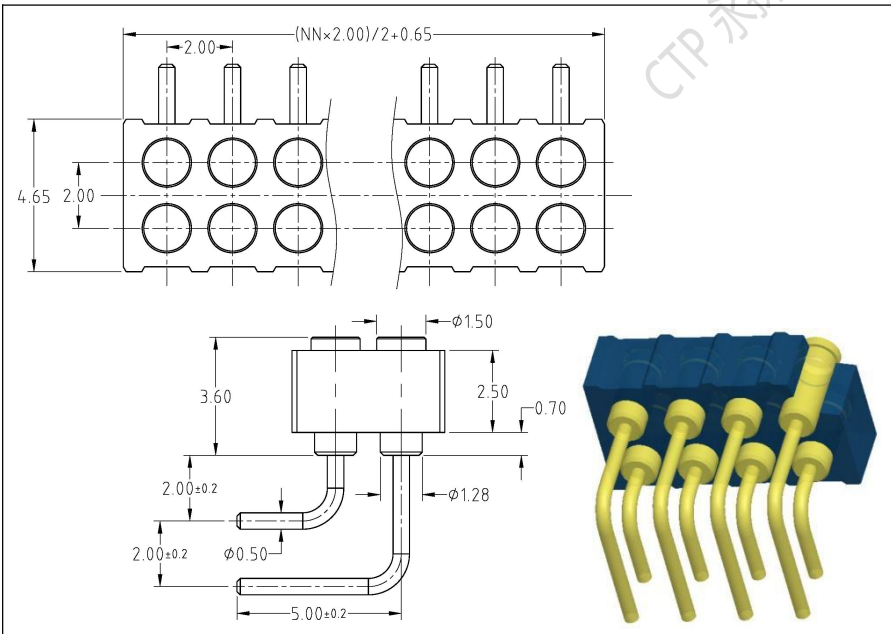
Housing  
-X

Gold Plating Code-GG

D -Single H2.50  
Pitch: 2.00

GG  
10-0.125um  
20-0.25um  
30-0.375um  
40-0.50um  
50-0.75um  
60-1.00um  
70-1.20um  
80-1.50um

NN Specify number of contacts: 02-36



### YT460 - 21GG - G NN 100F

Housing  
-X

Gold Plating Code-  
GG

G -Double H2.50  
Pitch: 2.00

GG  
10-0.125um  
20-0.25um  
30-0.375um  
40-0.50um  
50-0.75um  
60-1.00um  
70-1.20um  
80-1.50um

NN Specify number of contacts: 04-72

Note: Current rating 3A

-Materials:  
.Turning: BrassC6801 Gold over Nickel  
.Housing :Black HTN UL94 V-0  
-Dimensions: Millimeters  
-Tolerances on:  
.lengths: ±0.1  
.Diameters: ±0.05

-Mechanical Specifications:  
.Durability: 10000~1000,000 cycles  
-Electrical Specifications:  
.Voltage rating : DC12V  
.Contact resistance: 50 milli-ohm Max.  
-Environmental Specifications:  
-Operating teYTerature range: -40/+105°C (discontinuous)

# Female Connectors

-2.54 Pitch Single&Double Row

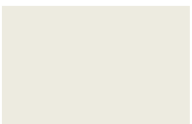
-SMT Female Connector

Note: **Current rating 3A**

| <b>YT400 - 11GG - A NN 100F</b>             |   |
|---|---|
| Housing<br><b>-X</b>                        | Gold Plating Code- <b>GG</b>  |
| <b>A</b> -Single H2.50<br>Pitch: 2.54       | <b>GG</b><br>10-0.125um<br>20-0.25um<br>30-0.375um<br>40-0.50um<br>50-0.75um<br>60-1.00um<br>70-1.20um<br>80-1.50um |
| <b>NN</b> Specify number of contacts: 02-64 |   |

Note: **Current rating 3A**

| <b>YT400 - 11GG - B NN 100F</b>              |   |
|--|---|
| Housing<br><b>-X</b>                         | Gold Plating Code- <b>GG</b>  |
| <b>B</b> -Double H2.50<br>Pitch: 2.54        | <b>GG</b><br>10-0.125um<br>20-0.25um<br>30-0.375um<br>40-0.50um<br>50-0.75um<br>60-1.00um<br>70-1.20um<br>80-1.50um |
| <b>NN</b> Specify number of contacts: 04-128 |   |



## Female Connectors

-2.54 Pitch Single&Double Row

-DIP Female Connector

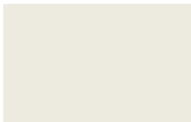
| YT430 - 11GG - A NN 100F                    |   |
|---|---|
| Housing<br><b>-X</b>                        | Gold Plating Code-<br><b>GG</b>   |
| <b>A</b> -Single H2.50<br>Pitch: 2.54       | <b>GG</b><br>10-0.125um<br>20-0.25um<br>30-0.375um<br>40-0.50um<br>50-0.75um<br>60-1.00um<br>70-1.20um<br>80-1.50um |
| <b>NN</b> Specify number of contacts: 02-64 |   |

**Note: Current rating 3A**

| YT430 - 11GG - B NN 100F                     |   |
|--|---|
| Housing<br><b>-X</b>                         | Gold Plating Code-<br><b>GG</b>   |
| <b>B</b> -Double H2.50<br>Pitch: 2.54        | <b>GG</b><br>10-0.125um<br>20-0.25um<br>30-0.375um<br>40-0.50um<br>50-0.75um<br>60-1.00um<br>70-1.20um<br>80-1.50um |
| <b>NN</b> Specify number of contacts: 04-128 |   |

**Note: Current rating 3A**

|  |  |
|--|--|
|  |  |
|--|--|



# Female Connectors

-2.54 Pitch Single&Double Row

-Bend Female Connector

**YT410 - 11GG - A NN 100F**

|                                      |   |
|--------------------------------------|---|
| Housing<br><b>-X</b>                 | Gold Plating Code- <b>GG</b>  |
| A -Single H2.50<br>Pitch: 2.54       | <b>GG</b><br>10-0.125um<br>20-0.25um<br>30-0.375um<br>40-0.50um<br>50-0.75um<br>60-1.00um<br>70-1.20um<br>80-1.50um |
| NN Specify number of contacts: 02-64 |   |

**Note: Current rating 3A**

**YT410 - 21GG - B NN 100F**

|                                       |   |
|---------------------------------------|---|
| Housing<br><b>-X</b>                  | Gold Plating Code- <b>GG</b>  |
| B -Double H2.50<br>Pitch: 2.54        | <b>GG</b><br>10-0.125um<br>20-0.25um<br>30-0.375um<br>40-0.50um<br>50-0.75um<br>60-1.00um<br>70-1.20um<br>80-1.50um |
| NN Specify number of contacts: 04-128 |   |

**Note: Current rating 3A**

# Female Connectors

-3.00 Pitch Single&Double Row

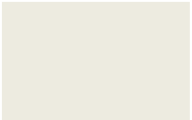
-SMT Female Connector

Note: **Current rating 3A**

| YT400 - 11GG - V NN 100F             |   |
|--------------------------------------|---|
| Housing<br><b>-X</b>                 | Gold Plating Code- <b>GG</b>  |
| V -Single H2.50<br>Pitch: 3.00       | <b>GG</b><br>10-0.125um<br>20-0.25um<br>30-0.375um<br>40-0.50um<br>50-0.75um<br>60-1.00um<br>70-1.20um<br>80-1.50um |
| NN Specify number of contacts: 02-24 |   |

Note: **Current rating 3A**

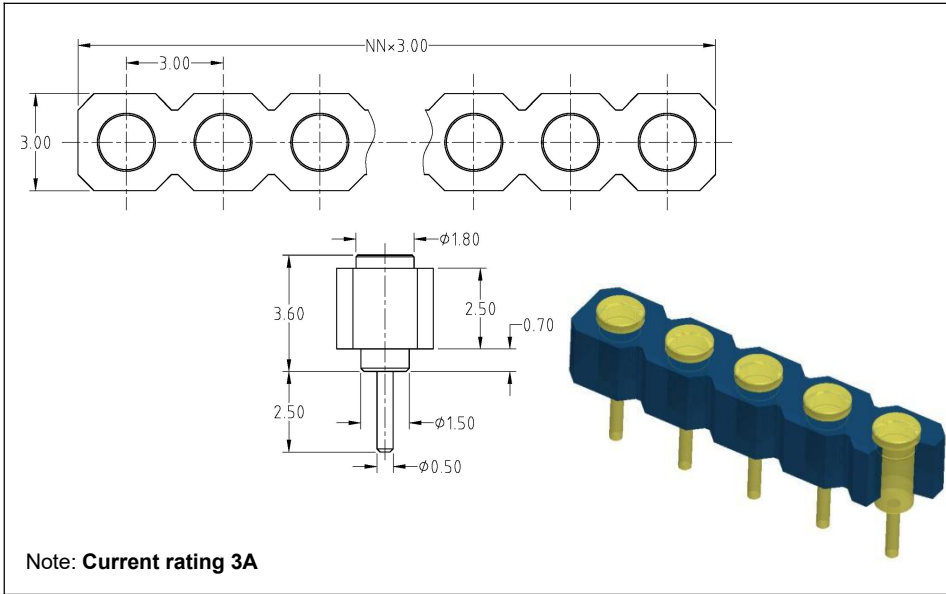
| YT400 - 11GG - W NN 100F             |   |
|--------------------------------------|---|
| Housing<br><b>-X</b>                 | Gold Plating Code- <b>GG</b>  |
| W -Double H2.50<br>Pitch: 3.00       | <b>GG</b><br>10-0.125um<br>20-0.25um<br>30-0.375um<br>40-0.50um<br>50-0.75um<br>60-1.00um<br>70-1.20um<br>80-1.50um |
| NN Specify number of contacts: 04-48 |   |



## Female Connectors

-3.00 Pitch Single&Double Row

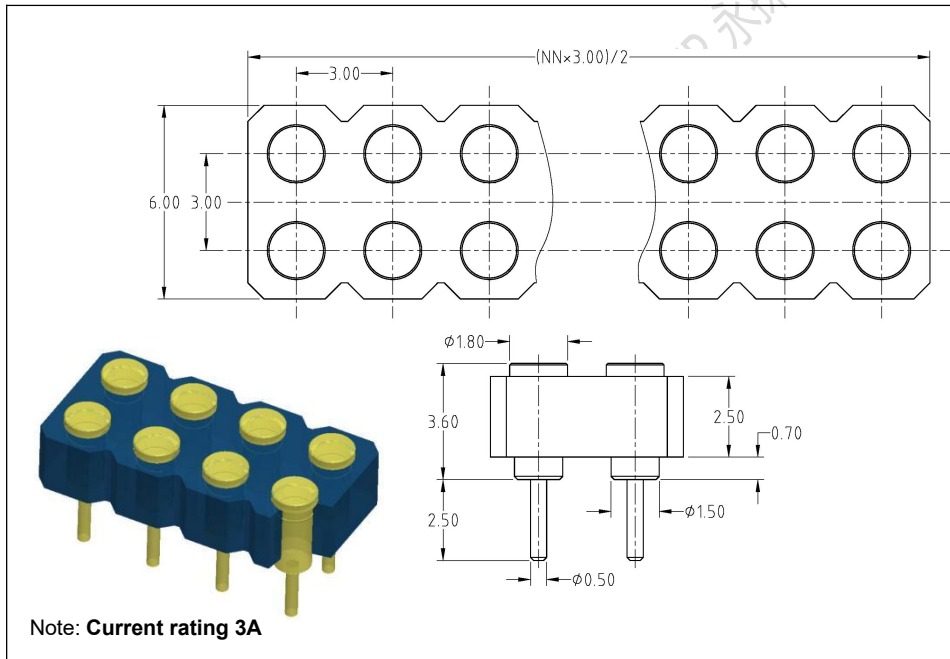
-DIP Female Connector



Note: Current rating 3A

### YT430 - 11GG - V NN 100F

|   |   |
|---|---|
| Housing<br><b>-X</b>                        | Gold Plating Code-<br><b>GG</b>   |
| <b>V</b> -Single H2.50<br>Pitch: 3.00       | <b>GG</b><br>10-0.125um<br>20-0.25um<br>30-0.375um<br>40-0.50um<br>50-0.75um<br>60-1.00um<br>70-1.20um<br>80-1.50um |
| <b>NN</b> Specify number of contacts: 02-24 |   |



Note: Current rating 3A

### YT430 - 11GG - W NN 100F

|   |   |
|---|---|
| Housing<br><b>-X</b>                        | Gold Plating Code-<br><b>GG</b>   |
| <b>W</b> -Double H2.50<br>Pitch: 3.00       | <b>GG</b><br>10-0.125um<br>20-0.25um<br>30-0.375um<br>40-0.50um<br>50-0.75um<br>60-1.00um<br>70-1.20um<br>80-1.50um |
| <b>NN</b> Specify number of contacts: 04-48 |   |